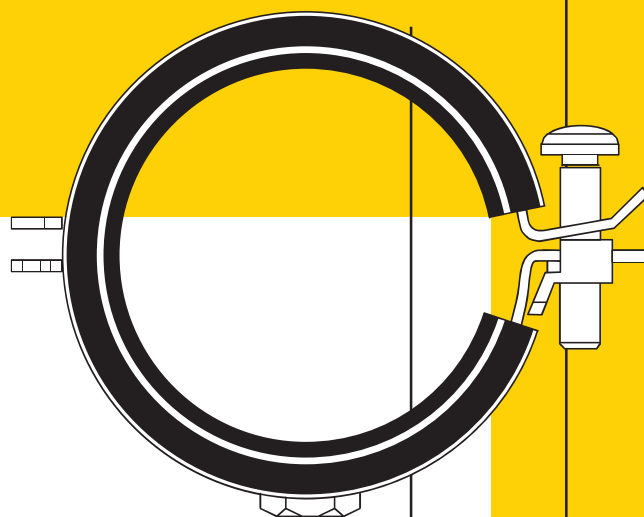


Metal clamps



RIF		254
RI		255
RID		257
LI		258
L		259
D		260
SF		261

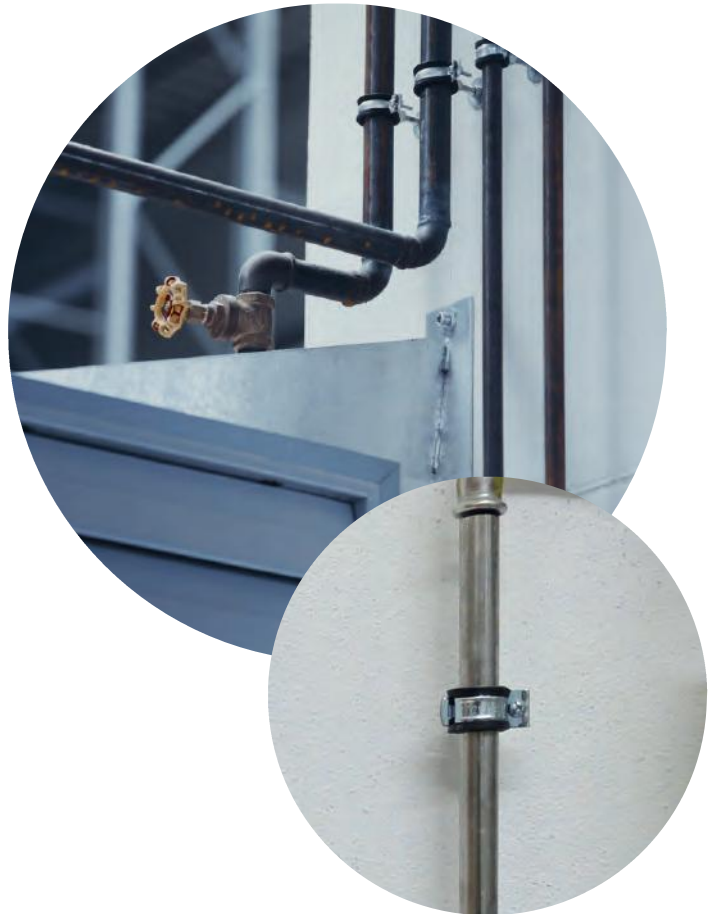
Overview of metal clamps

[Heavy duty-] Metal clamps



		RIF	RI	RID	LI	L	D	SIN-FIN
Diameter Ø (mm)		15-60	18-355	18-160	12-42	6-63	50-200	10-130
Coating		blue zinc plated	blue zinc plated	blue zinc plated	yellow zinc plated	blue zinc plated	sendzimir zinc plated	blue zinc plated
Inlay		EPDM	EPDM	EPDM+TPE	EPDM	×	×	×
RoHS compliant		×	✓	✓	×	×	×	×
Fire resistance		DIN 4102 class B2	DIN 4102 class B2	DIN 4102 class B2	DIN 4102 class B2	–	–	–
°C Temperature range		-50°C to +110°C	-50°C to +110°C	-50°C to +110°C	-50°C to +110°C	–	–	–
Recommended maximum tension load (kg)		80	80 - 200	100-150	55	50	110	–
Sheet thickness (mm)		1,25	1,5-2	1,2-2 to +2,5	1,2	1,2	1,25	0,8
Clamp width (mm)		20	20/25	20/25	11/12	11/12	20	9
Connecting thread		M8 + M10	M8 + M10	M8 + M10	M6	M6	M8	×
Applications		Heating pipes, Water pipes	Heating pipes, Water pipes	Sliding EPDM rubber lined pipe clamp for heating pipes or water pipes	Air conditioning, gas or compressed air pipes	Electrical and sanitary	Drainage pipes, PVC pipes, light steel pipes, ventilation pipes	Hose connections
Page		254	255	257	258	259	260	261

Quick clamp RIF

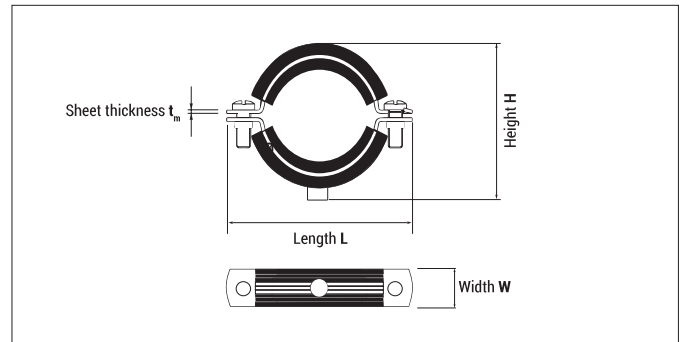
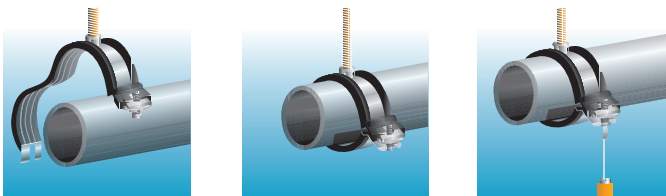


Advantages



- EPDM inlay: (sound-) insulated according to DIN 4109
- Fire behaviour according to DIN 4102, class B2
- Quick installation: 30% less installation time than standard clamps with two screws
- Solid welding of the nut
- Temperature resistance: -50°C to +110 °C, suitable for hot water and heating pipes

Mounting



RIF M8 + M10 connecting thread

Type	Art-No	Pipe-Ø			Inner Ø [mm]	Load* ≤ [kg]	Sheet thickness t _m [mm]	Length L [mm]	Height H [mm]	Clamp width W [mm]	€/100 pcs	📦 [pcs]	📦 [pcs]
		Copper [mm]	Steel [inch]	Plastic [mm]									
RIF 15	915RIF	15	1/4"	-	12-14	80	1,25	45	46	20		25	225
RIF 18	918RIF	18	3/8"	16	15-19	80	1,25	47	48	20		25	225
RIF 22	922RIF	22	1/2"	20	20-23	80	1,25	53	54	20		20	180
RIF 28	928RIF	28	3/4"	25	25-28	80	1,25	59	60	20		25	225
RIF 35	935RIF	35	1"	32	32-35	80	1,25	65	64	20		25	150
RIF 40	940RIF	42	1-1/4"	40	40-43	80	1,25	73	72	20		25	150
RIF 48	948RIF	54	1-1/2"	50	48-52	80	1,25	80	81	20		20	120
RIF 60	960RIF	-	2"	-	57-62	80	1,25	94	95	20		10	90

* Load incl. safety factor

Clamp RI



Advantages

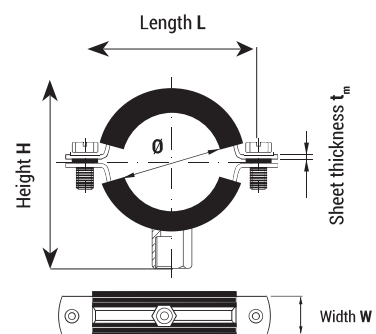


- High strength due to double reinforcing ribs
- Thick EPDM inlay: (sound-) insulated
- Screws are impossible to lose
- Solid welding of the nut
- Nut with M8 and M10 thread for higher flexibility
- Temperature resistance: -50°C to $+110^{\circ}\text{C}$, suitable for hot water and heating pipes

Approvals and certificates



Mounting



Clamp RI



RI M8 + M10 connecting thread

Type	Art-No	Pipe-Ø			Inner Ø [mm]	Load* ≤ [kg]	Sheet thickness t _m [mm]	Length L [mm]	Height H [mm]	Clamp width W [mm]	€ / 100 pcs	[pcs]
		Copper [mm]	Steel [inch]	Plastic [mm]								
RI 18	918RI	18	3/8"	–	15 - 19	80	1,5	60,0	40,5	20		100
RI 22	922RI	22	1/2"	–	20 - 24	80	1,5	62,0	45,0	20		100
RI 28	928RI	28	3/4"	25	23 - 28	80	1,5	70,5	49,5	20		100
RI 35	935RI	35	1"	32	31 - 36	80	1,5	79,0	60,0	20		100
RI 40	940RI	42	1 - 1/4"	40	38 - 44	100	1,5	88,0	64,0	20		100
RI 48	948RI	–	1 - 1/2"	50	44 - 50	100	1,5	94,0	70,5	20		100
RI 54	954RI	54	–	–	54 - 58	100	1,5	102,0	81,5	20		50
RI 60	960RI	–	2"	–	59 - 65	100	1,5	109,0	86,5	20		50
RI 75	975RI	76	2 - 1/2"	75	74 - 80	150	2,0	133,0	102,5	25		50
RI 90	990RI	89	3"	90	83 - 93	150	2,0	145,0	111,5	25		50
RI 100	9100RI	–	3 - 1/2"	100	95 - 103	150	2,0	155,0	116,0	25		50
RI 110	9110RI	108	4"	110	108 - 118	150	2,0	169,0	122,0	25		50
RI 125	9125RI	–	4 - 1/2"	125	121 - 127	150	2,0	128,8	135,5	25		50
RI 140	9140RI	–	5"	140	133 - 143	150	2,0	198,5	145,5	25		50
RI 160	9160RI	–	6"	160	159 - 169	150	2,0	229,0	161,5	25		40
RI 200	9200RI	–	–	200	198 - 202	150	2,0	262,0	184,5	25		40
RI 250	9250RI	–	–	250	249 - 254	200	2,0	290,0	275,0	25		30
RI 355 ¹⁾	9355RI	–	–	355	354 - 359	200	2,3	396,0	381,0	20		20

* Load incl. safety factor

¹⁾ discontinued article; delivery while stocks last



RI clamp set

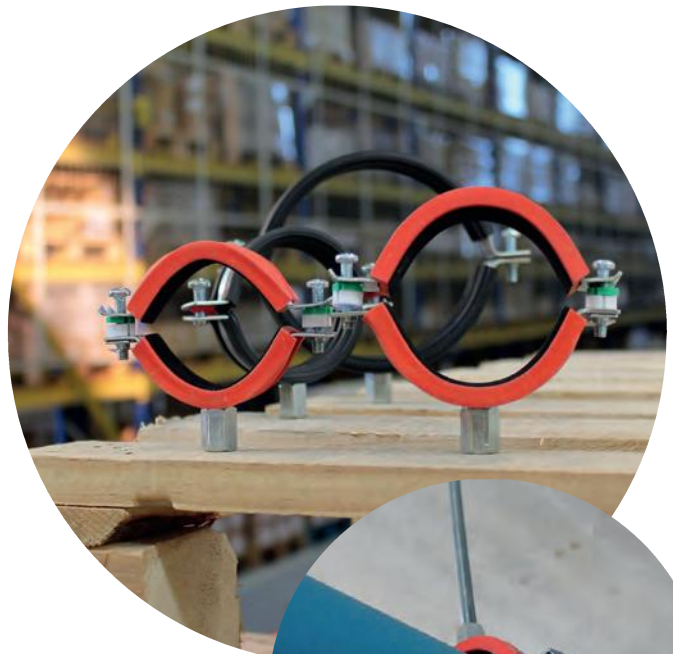


Type	Art-No	Plug-Ø [mm]	Plug length [mm]	Load* ≤ [kg]	Set contains	€ / Blister	[pcs]	[Blister]
FX 10 RI 22	22RIEDRN	10	50	80	FX 10 + M8 x 80 + RI 22		2	15
FX 10 RI 28	28RIEDRN	10	50	80	FX 10 + M8 x 80 + RI 28		2	15
FX 10 RI 35	35RIEDRN	10	50	80	FX 10 + M8 x 80 + RI 35		2	15
FX 10 RI 40	40RIEDRN	10	50	100	FX 10 + M8 x 80 + RI 40		2	15
FX 10 RI 50	50RIEDRN	10	50	100	FX 10 + M8 x 80 + RI 50		2	15
FX 10 RI 60	60RIEDRN	10	50	100	FX 10 + M8 x 80 + RI 60		2	15
FX 10 RI 75	75RIEDRN	10	50	150	FX 10 + M8 x 80 + RI 75		2	15
FX 12 RI 90	90RIEDRN	12	60	150	FX 12 + M10 x 100 + RI 90		2	15
FX 12 RI 110	110RIEDRN	12	60	150	FX 12 + M10 x 100 + RI 110		2	15

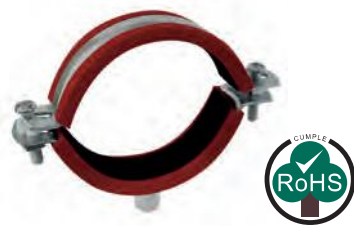
* Load incl. safety factor

Sliding pipe clamp

RID

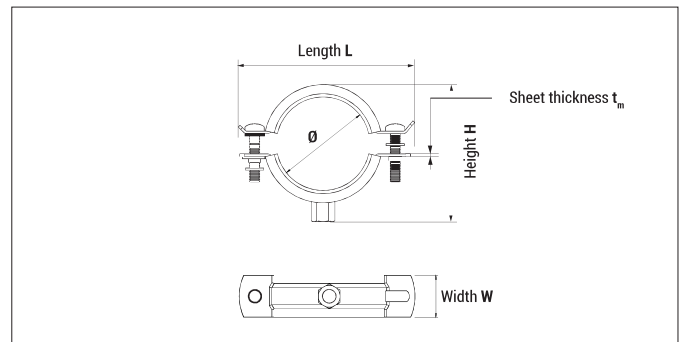


Advantages



- TPE rubber inlay with soft inner side allows the pipe to slide
- Easy and fast mounting thanks to the side opening
- Plastic washers, which allow installation as fixed or sliding points
- Suitable for plastic pipes
- Clamp with double reinforcing ribs for greater stability
- Soundproof according to DIN 4109
- Connecting thread M8 + M10
- Temperature resistant EPDM rubber from -50°C to +110°C
- UV- and seawater resistant

Mounting



RID M8 + M10 connecting thread

Type	Art-No	Pipe-Ø			Inner Ø [mm]	Load* ≤ [kg]	Sheet thickness t _m [mm]	Length L [mm]	Height H [mm]	Clamp width W [mm]	€ / 100 pcs	📦 [pcs]
		PPP [mm]	CPVC [mm]	CPVC [inch]								
RID 18	918RID	16	15,9	1/2"	15-19	100	1,2	58	42	20		100
RID 22	922RID	20	22,2	3/4"	20-23	100	1,2	62	44	20		100
RID 28	928RID	25	28,6	1	26-30	100	1,2	69	51	20		100
RID 35	935RID	32	34,9	1 1/4"	31-36	100	1,2	74	56	20		100
RID 42	942RID	40	41,3	1 1/2"	40-46	100	1,2	84	65	20		100
RID 48	948RID	50	54,0	2"	48-53	100	1,2	94	72	20		50
RID 54	954RID	54	-	-	54-59	100	1,2	105	80	20		50
RID 60	960RID	60	60,3	2"	60-64	150	1,2	110	88	20		50
RID 75	975RID	75	73,0	2 1/2"	72-83	150	2	135	104	25		50
RID 90	990RID	90	88,9	3	87-92	150	2	145	120	25		50
RID 110	9110RID	110	114,0	4	102-116	150	2	157	126	25		50
RID 125	9125RID	125	-	-	124-130	150	2	157	132	25		50
RID 160	9160RID	160	168	6	159-168	150	2	195	162	25		25

* Load incl. safety factor

Metal clamp

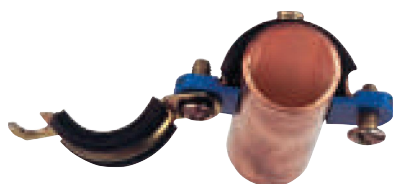
LI



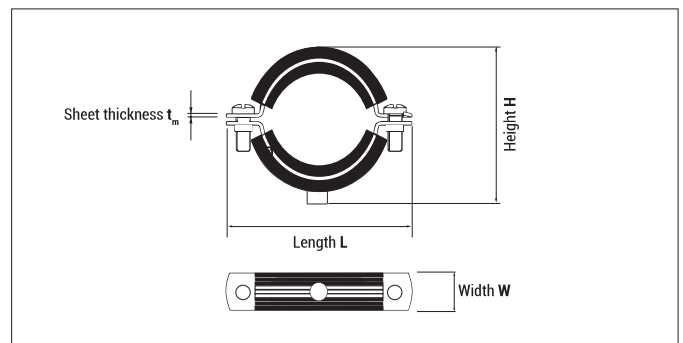
Advantages



- EPDM inlay: (sound-) insulated
- Easy to use
- Quick installation
- Connection thread: M6
- Strong design
- Temperature resistance: -30°C to +100 °C, suitable for hot water and heating pipes



Mounting



LI, yellow galvanized M6 connecting thread

Type	Art-No	Pipe-Ø			Load* ≤ [kg]	Sheet thickness t _m [mm]	Length L [mm]	Height H [mm]	Clamp width W [mm]	ε / 100 pcs	[pcs]	[pcs]
		Metric [mm]	Copper [mm]	Steel [inch]								
LI 12	9B12LI	-	12	-	-	55	41	23,5	11/12		100	900
LI 15	9B15LI	-	15	1/4"	-	55	43	25,0	11/12		100	900
LI 18	9B18LI	-	18	3/8"	-	55	47	29,0	11/12		100	900
LI 22	9B22LI	-	22	1/2"	-	55	51	33,0	11/12		50	450
LI 28	9B28LI	-	28	-	-	55	57	39,0	11/12		50	450
LI 35	9B35LI	-	35	1	-	55	66	47,0	11/12		25	225
LI 42	9B42LI	-	42	1 1/4	42	55	70	51,5	11/12		25	225

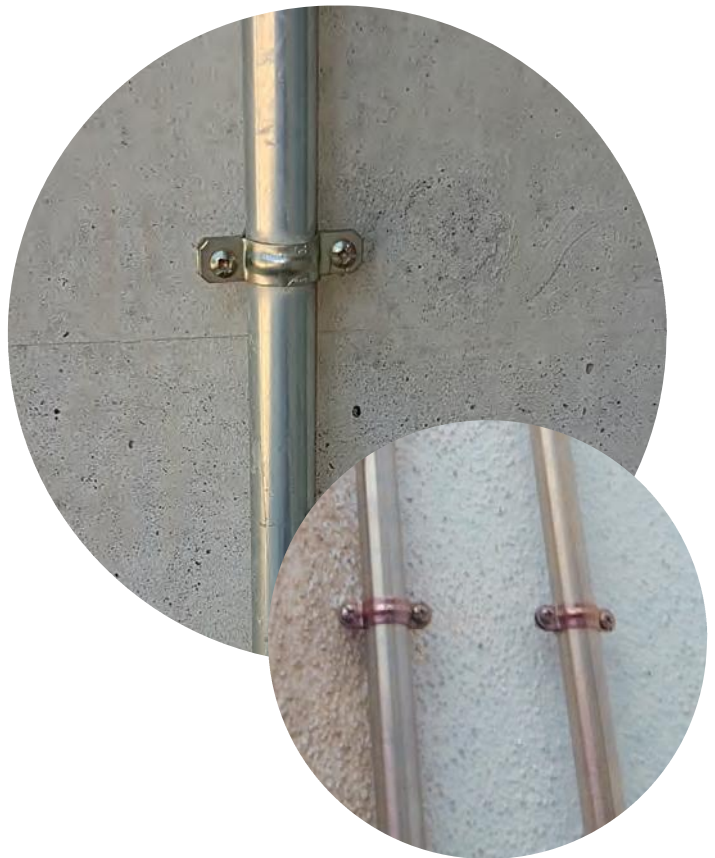
* Load incl. safety factor

Metal clamp

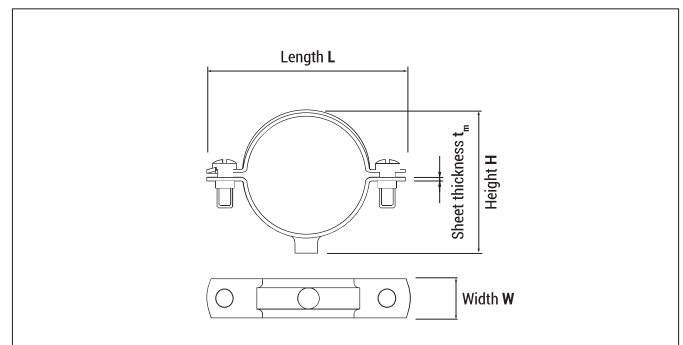
Advantages



- Easy and quick installation
- With reinforcing ribs
- Connection thread: M6



Mounting



L M6, M6 connecting thread

Type	Art-No	Pipe-Ø				Load* ≤ [Kg]	Sheet thickness t _m [mm]	Length L [mm]	Height H [mm]	Clamp width W [mm]	€/100 pcs	[pcs]	[pcs]
		Metric [mm]	Copper [mm]	Steel [inch]	Plastic [mm]								
L 6	96L	–	6	–	–	50	1,2	31	13,7	11/12	100	1.800	
L 8	98L	–	8	–	–	50	1,2	33	15,5	11/12	100	1.800	
L 10	910L	–	10	1/8"	–	50	1,2	35	17,7	11/12	100	1.800	
L 12	912L	–	12	–	–	50	1,2	37	19,7	11/12	100	900	
L 14	914L	–	–	1/4"	–	50	1,2	39	21,7	11/12	100	900	
L 16	916L	16	–	–	16	50	1,2	41	23,7	11/12	100	900	
L 20	920L	20	–	–	20	50	1,2	45	27,2	11/12	100	900	
L 25	925L	25	–	–	25	50	1,2	51	32,2	11/12	100	900	
L 26	926L	–	–	3/4"	–	50	1,2	52	33,2	11/12	100	900	
L 32	932L	32	–	–	32	50	1,2	57	39,2	11/12	50	450	
L 40	940L	40	–	–	40	50	1,2	66	47,2	11/12	50	450	
L 50	950L	50	–	–	50	50	1,2	78	56,7	12/14	25	225	
L 60	960L	–	–	2"	60	50	1,2	88	66,7	12/14	25	225	
L 63	963L	63	63	–	63	50	1,2	90	69,7	12/14	25	225	

* Load incl. safety factor

Heavy-duty metal drainage clamp

D

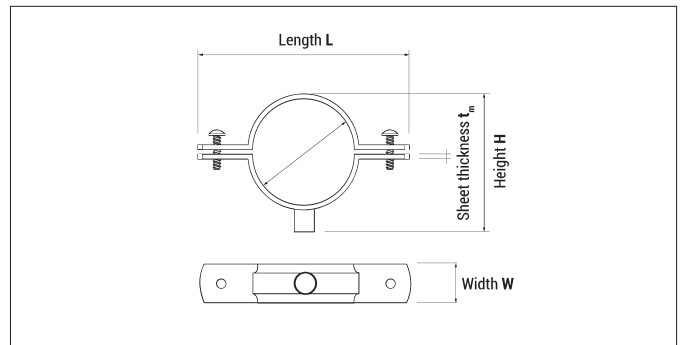


Advantages




- Connecting thread: M8
- Sendzimir galvanized
- No damage of the pipe at the connection thread due to the special design of the clamp
- Captive screws and nuts

Mounting



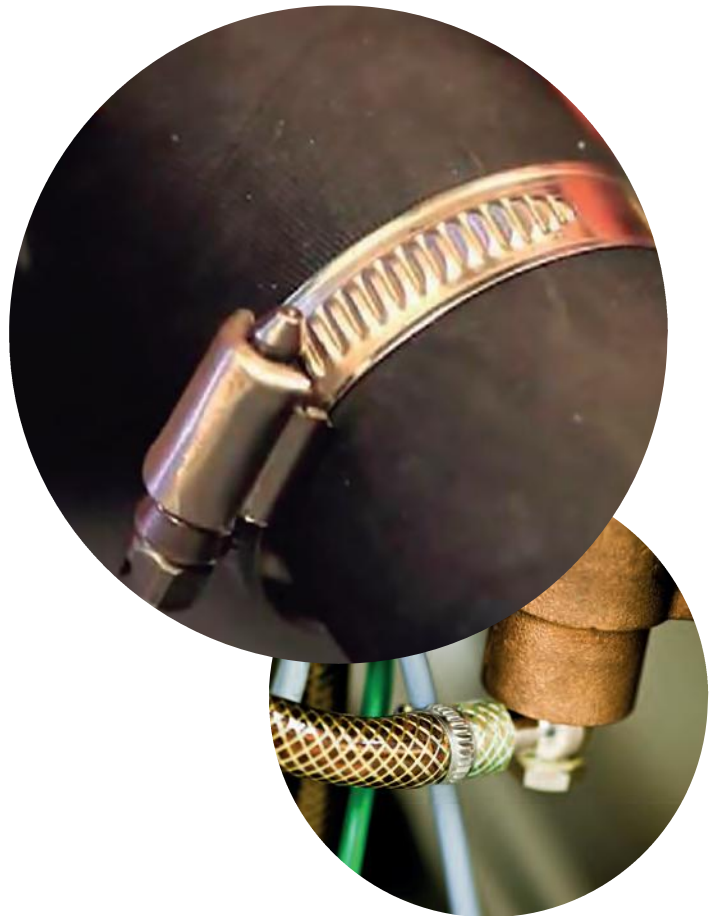
D, sendzimir galvanized M8 connecting thread

Type	Art-No	Pipe-Ø [mm]	Load ¹⁾ ≤ [kg]	Sheet thickness t_m [mm]	Length L [mm]	Height H [mm]	Width W [mm]	€/ 100 pcs	 [pcs]
D 50	950D	50	110	0,8	106	67	28		50
D 60	960D	60	110	0,8	116	77	28		50
D 75	975D	75	110	0,8	131	92	28		50
D 80	980D	–	110	0,8	136	97	28		50
D 90	990D	90	110	0,8	146	107	28		50
D 100	9100D	–	110	0,8	156	117	28		50
D 110	9110D	110	110	0,8	166	127	28		50
D 125	9125D	125	110	0,8	181	142	28		50
D 150	9150D	–	110	0,8	206	167	28		50
D 160	9160D	160	110	1,0	216	177	28		50
D 200	9200D	200	110	1,0	256	217	28		50

Load incl. safety factor

Hose clamp

SF





Advantages



- Worm drive clamp for fast and easy tightening around the hose
- Rounded edges to avoid damaging the hose or tube

SF, zinc plated

Type	Art-No	Pipe-Ø [mm]	Sheet thickness [mm]	Width [mm]	Torque [kg-cm]	€ / 100 pcs	 [pcs]	 [pcs]
SF 10/16	910SF	10-16	0,8	9	2,5		100	900
SF 12/20	912SF	12-20	0,8	9	2,5		100	900
SF 15/25	915SF	15-25	0,8	9	2,5		100	900
SF 20/32	920SF	20-32	0,8	9	3,0		100	900
SF 25/40	925SF	25-40	0,8	9	3,0		100	600
SF 32/50	932SF	32-50	0,8	9	3,0		100	600
SF 40/60	940SF	40-60	0,8	9	3,0		100	–
SF 50/70	950SF	50-70	0,8	9	3,0		50	300
SF 90/110	990SF	90-110	0,8	9	3,0		25	–
SF 100/120	9100SF	10-120	0,8	9	3,0		25	–
SF 130	9130SF	130	0,8	9	3,0		25	–