

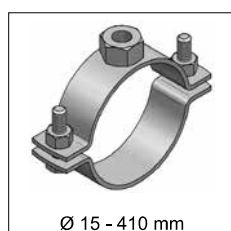
■ Stainless steel



Pipe clamp Inoxina
Page 13/2



Pipe clamp stainless steel
Page 13/3



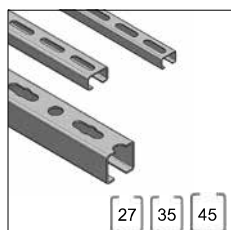
Pipe clamp stainless steel
Page 13/5



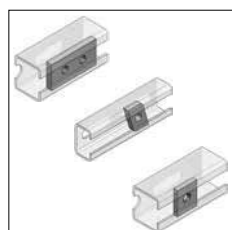
Ventilation pipe clamp
Page 13/7



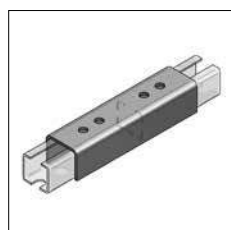
U-bolt
Page 13/8



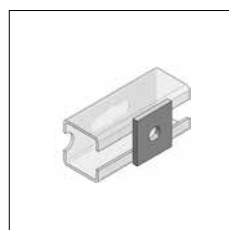
Profile rails
Page 13/9



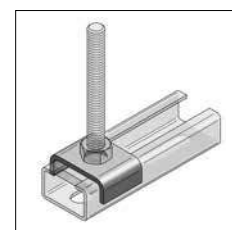
Threaded plate
Page 13/10



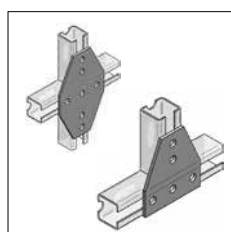
Connector 45/40
Page 13/11



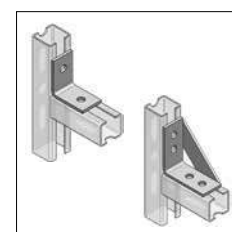
Perforated plate
Page 13/12



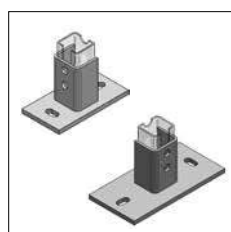
Profile holder
Page 13/13



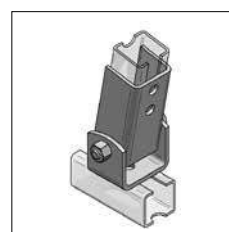
Lugs
Page 13/13



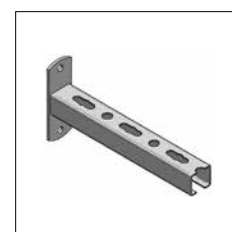
Angle 40/5
Page 13/14



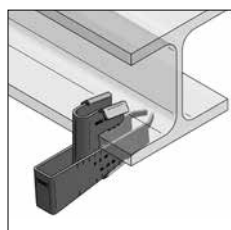
Holder
Page 13/15



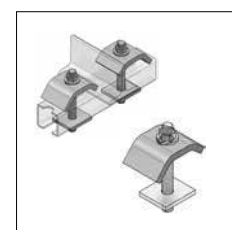
Joint holder
Page 13/15



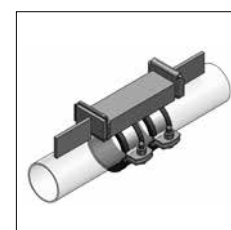
Consoles and braces
Page 13/17



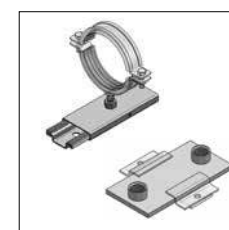
Girder clamp
Page 13/18



Clamping claws
Page 13/19



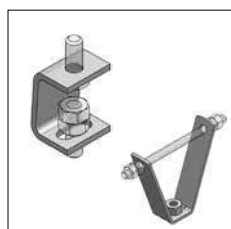
Fixpoint
Page 13/20



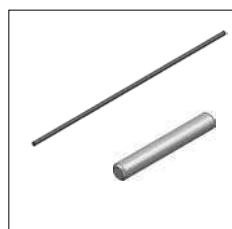
Sliding element
Page 13/21



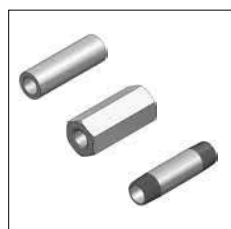
Base plates
Page 13/22



Suspended bracket
Trapeze hanger
Page 13/24



Threaded rods and pins
Page 13/25



Threaded couplings,
reducers
Page 13/26



Screws, nuts and washers
Page 13/27

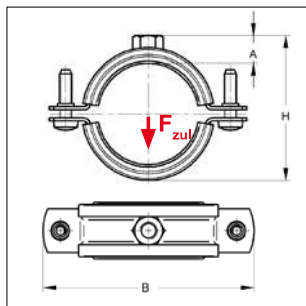


Duct holder
Page 13/29

i Stainless steel anchors see chapter 07

i Tightening torque of locking screws on pipe clamps see chapter 15.

■ Pipe clamp Inoxina



Pipe clamp Inoxina

Specification:

Closure:	snap-in closure
Construction method:	two-part
OD:	15 - 116 mm
Connection:	M8 SW 13, M10 SW 17
Sound insulation:	according to DIN 4109

Technical data:

Material:	Stainless steel
Material type:	V4A
Sound insulation lining:	EPDM
Temperature resistance:	- 35 °C up to + 100 °C
Insulation thickness:	4,0 mm

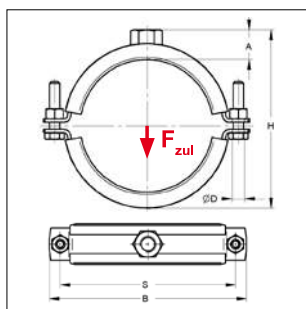
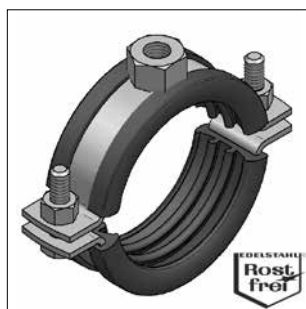
Connection: Thread M8

Dimension		Material	Closure-screw	max. load	H	with sound insulation lining rubber			Packing	V4A
[mm]	[Zoll]	[mm]		F_{zul} [kN]	(min-max) [mm]	A	B	Weight	[St]	Part-No.
15 - 19	3/8	20x1,25	M6	0,90	39	12	64	0,046	100	051001018
20 - 23	1/2	20x1,25	M6	0,90	42	12	67	0,050	100	051001023
25 - 28	3/4	20x1,25	M6	0,90	47	12	72	0,053	100	051001029
31 - 35	1	20x1,25	M6	0,90	55	12	80	0,062	100	051001035
40 - 43	1 ^{1/4}	20x1,25	M6	0,90	62	13	87	0,072	50	051001043
47 - 51	1 ^{1/2}	20x1,25	M6	0,90	71	13	96	0,081	50	051001051
52 - 56		20x1,25	M6	0,90	75	13	100	0,081	50	051001056
57 - 63	2	20x1,25	M6	0,90	83	13	108	0,088	50	051001063

Connection: Thread M10

64 - 67		20x2,0	M6	1,35	89	15	109	0,129	25	051002067
70 - 76	2 ^{1/2}	20x2,0	M6	1,35	98	15	118	0,138	25	051002076
86 - 91	3	20x2,0	M6	1,35	109	15	130	0,160	25	051002091
108 - 116	4	20x2,5	M6	1,71	137	15	158	0,224	25	051002116

■ Pipe clamp stainless steel, lined



Pipe clamp stainless steel
lined

Specification:

Closure:	screwed closure
Construction method:	two-part
OD:	15 - 410 mm
Connection:	M8, M10, M12, M16, without connection
Sound insulation:	according DIN 4109
Variant demand:	on request
Delivery time for variant demand:	5 working days, ex works

Technical Data:

Material:	stainless steel	
Material type:	V4A	
	V2A	
Sound insulation lining:	TPE	Silicone (on request)
Temperature resistance:	-35 °C up to +100 °C	-50 °C up to +250 °C
Insulation thickness:		
Clamp OD ≤ 45 mm	3,5 mm	
Clamp OD ≥ 47 mm	6,0 mm	

- other sizes and connection threads on request -

Connection: Thread M8

with sound insulation lining rubber

V4A

V2A

Dimension	Material	Closure-screw	max. load F_{zul}	H (min-max)	A	B	S	ØD	Weight	Packing	Part-No.	Part-No.	
[mm]	[Inch]	[mm]	[kN]	[mm]	[mm]	[mm]	[mm]	[mm]	[kg/pc.]	[pcs.]			
15 - 20	3/8	20x1,5	M6	0,97	31 - 35	11	56	43	6,5	0,060	50	0498174	0468174
21 - 25	1/2	20x1,5	M6	0,97	36 - 40	11	61	48	6,5	0,064	50	0498175	0468175
26 - 30	3/4	20x1,5	M6	0,97	41 - 45	11	66	53	6,5	0,069	50	0498176	0468176
31 - 34	1	20x1,5	M6	0,97	46 - 50	11	72	59	6,5	0,072	50	0498177	0468177
35 - 40		20x1,5	M6	0,97	51 - 56	11	78	65	6,5	0,077	50	0498178	0468178
41 - 45	1 1/4	20x1,5	M6	0,97	58 - 65	11	86	73	6,5	0,084	50	0498179	0468179

Connection: Thread M10

with sound insulation lining rubber

Dimension	Material	Closure-screw	max. load F_{zul}	H (min-max)	A	B	S	ØD	Weight	Packing	Part-No.	Part-No.	
[mm]	[Inch]	[mm]	[kN]	[mm]	[mm]	[mm]	[mm]	[mm]	[kg/pc.]	[pcs.]			
47 - 52	1 1/2	20x2,0	M6	1,78	69 - 74	16	96	82	6,5	0,126	50	0498210	0468210
53 - 57		20x2,0	M6	1,78	75 - 79	16	101	88	6,5	0,134	50	0498211	0468211
58 - 64	2	20x2,0	M6	1,78	80 - 86	16	108	94	6,5	0,144	50	0498212	0468212
65 - 70		20x2,0	M6	1,78	87 - 92	16	114	101	6,5	0,152	50	0498213	0468213
72 - 80	2 1/2	20x2,0	M6	1,78	94 - 102	16	123	110	6,5	0,162	50	0498214	0468214
82 - 90	3	20x2,0	M6	1,78	104 - 112	16	134	120	6,5	0,175	50	0498215	0468215
93 - 100		20x2,0	M6	1,78	115 - 122	16	144	130	6,5	0,189	50	0498216	0468216
102 - 107		20x2,0	M6	1,78	124 - 129	16	152	138	6,5	0,199	50	0498217	0468217
108 - 116	4	20x2,0	M6	1,78	130 - 138	16	160	147	6,5	0,210	50	0498218	0468218

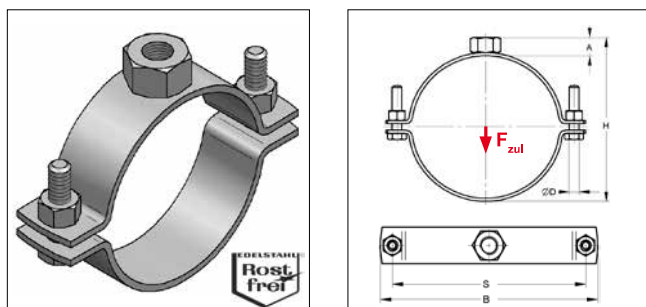
■ Pipe clamp stainless steel, lined

Connection: Thread M12					with sound insulation lining rubber							V4A	V2A
Dimension		Material	Closure-screw	max. load	H	A	B	S	ØD	Weight	Packing	Part-No.	Part-No.
[mm]	[Inch]	[mm]		F _{zul} [kN]	(min-max) [mm]	[mm]	[mm]	[mm]	[mm]	[kg/pc.]	[pcs.]		
102 - 107		25x3,0	M8	2,61	129-134	20	171	150	9	0,368	50	0490317	0460317
108 - 116	4	25x3,0	M8	2,61	135-143	20	179	158	9	0,383	50	0490318	0460318
119 - 127		25x3,0	M8	2,61	146-154	20	190	169	9	0,408	50	0496319	0466319
128 - 132		25x3,0	M8	2,61	155-159	20	197	176	9	0,425	50	0496320	0466320
133 - 141	5	25x3,0	M8	2,61	160-168	20	205	184	9	0,438	50	0496321	0466321
142 - 149		25x3,0	M8	2,61	169-176	20	213	192	9	0,459	50	0496322	0466322
150 - 158		25x3,0	M8	2,61	177-185	20	222	201	9	0,476	50	0496323	0466323
159 - 163		25x3,0	M8	2,61	186-190	20	228	207	9	0,499	50	0496324	0466324
164 - 168	6	25x3,0	M8	2,61	191-195	20	233	212	9	0,504	50	0496325	0466324

Connection: Thread M16					with sound insulation lining rubber								
Dimension		Material	Closure-screw	max. load	H	A	B	S	ØD	Weight	Packing	Part-No.	Part-No.
[mm]	[Inch]	[mm]		F _{zul} [kN]	(min-max) [mm]	[mm]	[mm]	[mm]	[mm]	[kg/pc.]	[pcs.]		
174 - 182		35x4,0	M10	5,00	204-212	24	265	236	11	1,015	1	0490426	0462426
192 - 200		35x4,0	M10	5,00	222-230	24	285	255	11	1,087	1	0490428	0462428
201 - 205		35x4,0	M10	5,00	231-235	24	290	261	11	1,123	1	0490429	0462429
206 - 214		35x4,0	M10	5,00	236-244	24	298	269	11	1,142	1	0490430	0462430
215 - 225	8	35x4,0	M10	5,00	255-265	24	309	280	11	1,178	1	0490431	0462431
241 - 248		35x4,0	M10	5,00	281-288	24	332	303	11	1,289	1	0492434	0462434
250 - 257		35x4,0	M10	5,00	280-287	24	341	312	11	1,322	1	0492435	0462435
272 - 277	10	35x4,0	M10	5,00	302-307	24	362	333	11	1,408	1	0492438	0462438

Without connection, closurescrew					with sound insulation lining rubber								
Dimension		Material	Closure-screw	max. load	H	A	B	S	ØD	Weight	Packing	Part-No.	Part-No.
[mm]	[Inch]	[mm]		F _{zul} [kN]	(min-max) [mm]	[mm]	[mm]	[mm]	[mm]	[kg/pc.]	[pcs.]		
321 - 325	12	50x5,0	-	9,00	341-345	-	414	382	17	2,510	1	0494046	0464046
351 - 360	14	50x5,0	-	9,00	371-380	-	448	416	17	2,718	1	0494051	0464051
361 - 370		50x5,0	-	9,00	389-390	-	458	426	17	2,797	1	0494052	0464052
401 - 410	16	50x5,0	-	9,00	421-430	-	498	466	17	3,051	1	0494056	0464056

■ Pipe clamp stainless steel



Pipe clamp stainless steel

Specification:

Closure:	screwed closure
Construction method:	two-part
OD:	15 up to 410 mm
Connection:	M8, M10, M12, M16, without connection
Variant demand:	on request
Delivery time for variant demand:	5 working days, ex works

Technical data:

Material:	stainless steel
Material type:	V4A V2A

- other sizes and connection threads on request -

Connection: Thread M8

Dimension	Material	Closure-screw	max. load F_{zul}	H (min-max)	A	B	S	ØD	Weight	Packing	V4A Part-No.	V2A Part-No.	
[mm]	[Inch]	[mm]	[kN]	[mm]	[mm]	[mm]	[mm]	[mm]	[kg/pc.]	[pcs.]			
15 - 20	3/8	20x1,5	M6	0,97	25 - 30	8	49	36	6,5	0,051	50	0499175	0469175
21 - 25	1/2	20x1,5	M6	0,97	31 - 35	8	56	43	6,5	0,056	50	0499176	0469176
26 - 30	3/4	20x1,5	M6	0,97	36 - 40	8	61	48	6,5	0,058	50	0499177	0469177
31 - 35	1	20x1,5	M6	0,97	41 - 45	8	66	53	6,5	0,060	50	0499178	0469178
36 - 40		20x1,5	M6	0,97	46 - 50	8	72	59	6,5	0,063	50	0499171	0469171
41 - 46	1 ^{1/4}	20x1,5	M6	0,97	51 - 56	8	78	65	6,5	0,066	50	0499179	0469170

Connection: Thread M10

48 - 55	1 ^{1/2}	20x2,0	M6	1,78	60 - 67	10	87	74	6,5	0,097	50	0499210	0469210
57 - 62	2	20x2,0	M6	1,78	69 - 74	10	96	82	6,5	0,103	50	0499212	0469212
63 - 67		20x2,0	M6	1,78	75 - 79	10	101	88	6,5	0,110	50	0499211	0469211
68 - 74		20x2,0	M6	1,78	80 - 86	10	108	94	6,5	0,115	50	0499213	0469213
75 - 80	2 ^{1/2}	20x2,0	M6	1,78	87 - 92	10	114	101	6,5	0,118	50	0499214	0469214
82 - 90	3	20x2,0	M6	1,78	94 - 102	10	113	110	6,5	0,127	50	0499215	0469215
92 - 100		20x2,0	M6	1,78	104 - 112	10	134	120	6,5	0,135	50	0499216	0469216
103 - 110		20x2,0	M6	1,78	115 - 122	10	144	131	6,5	0,144	50	0499217	0469217
112 - 117	4	20x2,0	M6	1,78	124 - 129	10	152	138	6,5	0,151	50	0499218	0469218

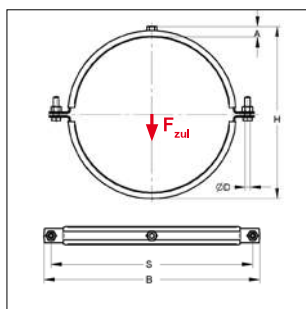
Connection: Thread M12

103 - 110		25x3,0	M8	2,61	120 - 127	14	163	142	9,0	0,295	50	0491317	0461317
112 - 117	4	25x3,0	M8	2,61	129 - 134	14	171	150	9,0	0,313	50	0491318	0461318
118 - 126		25x3,0	M8	2,61	135 - 143	14	179	158	9,0	0,321	50	0497319	0467319
129 - 137		25x3,0	M8	2,61	146 - 154	14	190	169	9,0	0,339	50	0497320	0467320
138 - 142	5	25x3,0	M8	2,61	155 - 159	14	197	176	9,0	0,356	50	0497321	0467321
143 - 151		25x3,0	M8	2,61	160 - 168	14	205	184	9,0	0,367	50	0497322	0467322
152 - 159		25x3,0	M8	2,61	169 - 176	14	213	192	9,0	0,379	50	0497323	0467323
160 - 168	6	25x3,0	M8	2,61	177 - 185	14	222	201	9,0	0,397	50	0497324	0467324

■ Pipe clamp stainless steel

Connection: Thread M16												V4A	V2A		
Dimension		Material	Closure-screw	max. load F_{zul} [kN]	H (min-max) [mm]	A [mm]	B [mm]	S [mm]	ØD [mm]	Weight [kg/pc.]	Packing [pc.]	Part-No.	Part-No.		
[mm]	[Inch]	[mm]													
169	-	173													
		35x4,0	M10	5,00	192-196	19	247	218	11,0	0,825	1	04934251	04634251		
174	-	178													
		35x4,0	M10	5,00	197-201	19	252	223	11,0	0,843	1	04934252	04634252		
193	-	200													
		35x4,0	M10	5,00	216-223	19	274	245	11,0	0,905	1	0493428	0463428		
202	-	210													
		35x4,0	M10	5,00	225-233	19	284	255	11,0	0,933	1	0493429	0463429		
211	-	215													
		35x4,0	M10	5,00	234-238	19	290	261	11,0	0,955	1	0493430	0463430		
216	-	224	8												
		35x4,0	M10	5,00	239-247	19	298	269	11,0	0,972	1	0493431	0463431		
244	-	250													
		35x4,0	M10	5,00	267-273	19	324	295	11,0	1,068	1	0493434	0463434		
251	-	258													
		35x4,0	M10	5,00	274-281	19	332	303	11,0	1,093	1	0493435	0463435		
272	-	280	10												
		35x4,0	M10	5,00	295-303	19	354	325	11,0	1,160	1	0493438	0463438		
Without connection, closurescrew															
321	-	325	12	50x5,0	-	9,00	331-335	-	404	372	17,0	2,100	1	0495046	0465046
356	-	360	14	50x5,0	-	9,00	366-370	-	439	407	17,0	2,300	1	0495051	0465051
361	-	370		50x5,0	-	9,00	371-380	-	448	416	17,0	2,327	1	0495052	0465052
401	-	410	16	50x5,0	-	9,00	411-420	-	488	456	17,0	2,560	1	0495056	0465056

■ Pipe clamp stainless steel for ventilation



Pipe clamp stainless steel
for ventilation

Specification:

Closure:	screwed closure
Construction method:	two-part
Nominal width:	63 - 400 mm
Connection:	M8
Sound insulation:	according to DIN 4109
Variant demand:	on request
Delivery time for variant demand:	5 working days, ex works

Technical data:

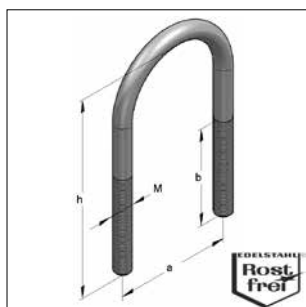
Material:	stainless steel
Material type:	V2A
Sound insulation lining:	TPE Silicone (on request)
Temperature resistance:	-35 °C up to +100 °C - 50 °C up to + 250 °C
Insulation thickness:	6 mm 6 mm

- other sizes and connection threads on request -

Connection: Thread M8

Type	OD	Material	Closure- screw	max. load F_{zul} [kN]	H	A	with sound insulation lining rubber				Weight	Packing	V2A Part-No.
							B	S	ØD	Weight			
[DN]	[mm]	[mm]			[mm]	[mm]	[mm]	[mm]	[mm]	[kg/pc.]	[pcs.]		
63	67	20x2,0	M6	1,0	91	15,0	117	104	6,5	0,145	50	0468113	
71	75	20x2,0	M6	1,0	99	15,0	126	113	6,5	0,155	50	0468114	
80	84	20x2,0	M6	1,0	108	15,0	135	122	6,5	0,168	50	0468115	
90	94	20x2,0	M6	1,0	118	15,0	146	133	6,5	0,192	50	0468116	
100	105	20x2,0	M6	1,0	129	15,0	156	143	6,5	0,200	50	0468117	
112	117	20x2,0	M6	1,0	141	15,0	168	155	6,5	0,226	50	0468118	
125	130	20x2,0	M8	1,0	154	15,0	201	181	8,4	0,258	50	0468120	
140	145	20x2,0	M8	1,0	169	15,0	216	196	8,4	0,265	50	0468122	
150	155	20x2,0	M8	1,0	179	15,0	226	206	8,4	0,305	50	0468123	
160	165	20x2,0	M8	1,0	189	15,0	236	216	8,4	0,316	50	0468124	
180	185	20x2,0	M8	1,0	209	15,0	256	236	8,4	0,350	1	0468127	
200	205	20x2,0	M8	1,0	229	15,0	281	261	8,4	0,387	1	0468129	
224	229	20x2,0	M8	1,0	253	15,0	302	282	8,4	0,423	1	0468132	
250	255	20x2,0	M8	1,0	279	15,0	328	308	8,4	0,453	1	0468135	
280	285	20x2,0	M8	1,0	309	15,0	358	338	8,4	0,498	1	0468140	
300	307	20x2,0	M8	1,0	331	15,0	378	358	8,4	0,513	1	0468143	
315	322	20x2,0	M8	1,0	346	15,0	386	366	8,4	0,556	1	0468146	
355	362	20x2,0	M8	1,0	386	15,0	433	413	8,4	0,613	1	0468152	
400	407	20x2,0	M8	1,0	431	15,0	481	461	8,4	0,680	1	0468156	

■ U-bolt, without nuts



U-bolt

Specification:

- for direct installation of piping onto steel girder
- suitable for sprinkler and VdS-systems
- suitable for the push-through-assembling into profile rails
- bearing should be used with 2 nuts and 2 washers
- fixed bearing should be used with 4 nuts and 4 washers

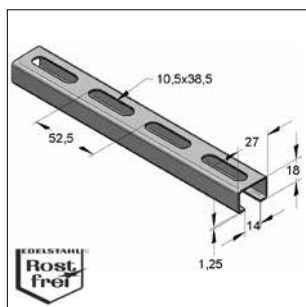
Technical data:

Material: stainless steel
Material type: V4A

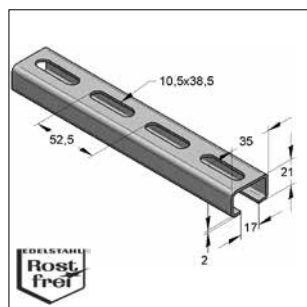
Required accessories: washers and nuts

For max. profile rail height 40 mm										V4A	
Description	Nominal width [DN]	Thread M	OD [mm]	[Inch]	a [mm]	h [mm]	b [mm]	OD [mm]	Weight [kg/pc.]	Packing [pc.]	Part-No.
U-bolt	15	M8	21,3	1/2	30	80	65	22	0,060	1	0506022
U-bolt	20	M8	25,0		35	80	65	27	0,061	1	0506027
U-bolt	25	M8	26,9	3/4							
U-bolt	25	M8	30,0		42	90	65	34	0,068	1	0506034
U-bolt	32	M8	33,7	1							
U-bolt	32	M8	38,0		51	100	70	43	0,076	1	0506042
U-bolt	40	M8	42,4	1 ^{1/4}							
U-bolt	40	M8	44,5		57	105	70	49	0,081	1	0506048
U-bolt	50	M10	48,3	1 ^{1/2}							
U-bolt	50	M10	57,0		71	120	70	61	0,147	1	0506060
U-bolt	65	M10	60,3	2							
U-bolt	65	M10	76,1	2 ^{1/2}	87	135	70	77	0,167	1	0506076
U-bolt	80	M10	88,9	3	100	150	70	90	0,188	1	0506089
For max. profile rail height 60 mm											
U-bolt	100	M12	108,0		121	190	95	109	0,337	1	0506108
U-bolt	100	M12	114,3	4	126	195	95	114	0,347	1	0506114
U-bolt	125	M12	133,0		146	215	95	134	0,385	1	0506133
U-bolt	125	M12	139,7	5	152	220	95	140	0,394	1	0506140
U-bolt	150	M12	159,0		172	240	95	160	0,432	1	0506159
U-bolt	150	M12	168,3	6	180	250	95	168	0,450	1	0506168
U-bolt	200	M12	219,1	8	233	300	95	221	0,546	1	0506219

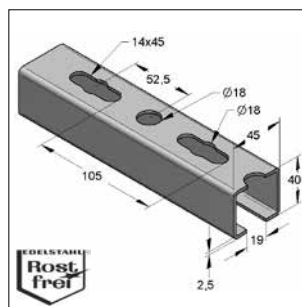
Profile rails, perforated



Profile rails 27/18



Profile rails 35/21



Profile rails 45/40

Specification:

- double rails are perforated and welded

Protecting cap see chapter 2

Technical data:

Material: stainless steel

Material type: V4A
V2A

Type 27/18

Identification	Weight [kg/m]	Length [m]	Packing [m]	V4A	V2A
				Part-No.	Part-No.
27/18/1,25	0,61	2	2	0800150	0800050

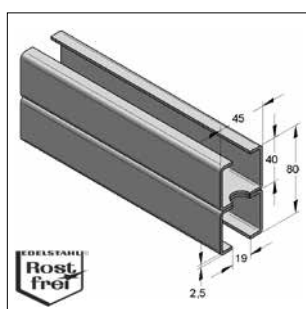
Type 35/21

35/21/2,0	1,21	3	3	0800151	0800051
-----------	------	---	---	---------	---------

Type 45/40

45/40/2,5	2,56	6	6	0800155	0800055
-----------	------	---	---	---------	---------

Profile rails, double, perforated



Profile rails, double 45/80

Specification:

- double rails are perforated and welded

Protecting cap see chapter 2

Technical data:

Material: stainless steel

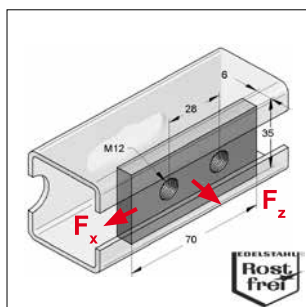
Material type: V4A
V2A

Type 45/80

Identification	Weight [kg/m]	Length [m]	Packing [m]	V4A	V2A
				Part-No.	Part-No.
D 45/80/2,5	5,12	6	6	0800170	0800070

technical overview for profile rails stainless steel see on page 13/30

■ 2-hole threaded plate



2-hole threaded plate

Specification:

Profile rail type: rail system 45
 Mounting method: glide fast connections and shear hole haunch connections
 Application area: connecting parts, can be mounted on bottom of profile
 Required accessories: hexagon screw, washer and hexagon nut

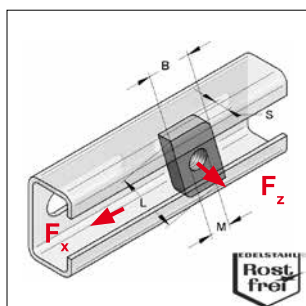
Technical data:

Material: stainless steel
 Material type: V2A
 V4A

application loads see on page 13/12

Identification	Dimension LxBxS [mm]	Thread	Weight [kg/pc.]	Packing [pc.]	V4A	V2A
					Part-No.	Part-No.
2-hole threaded plate	35x70x6,0	M12	0,110	1	0481610	0480610

■ Threaded plate



Threaded plate

Specification:

Profile rail type: 27/18, 35/21, 45/40, 45/80
 Mounting method: glide fast connections and shear hole haunch connections
 Required accessories: hexagon screw, threaded pin or- rod, washer and hexagon nut

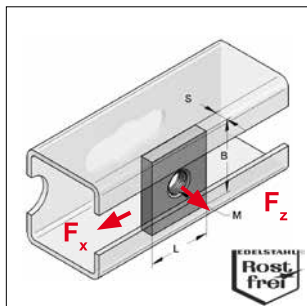
Technical data:

Material: stainless steel
 Material type: V4A

*** application loads see on page 13/12**

For profile rail 27/18						V4A
Identification	Dimension LxBxS [mm]	Thread M	Weight [kg/pc.]	Packing [pcs.]	Part-No.	
Threaded plate	28x15	M8	0,008	50	07507508	
For profile rail 35/21						
Threaded plate	38x17	M8	0,024	50	07507708	
Threaded plate	38x17	M10	0,023	50	07507710	
Threaded plate	38x17	M12	0,022	50	07507712	
For profile rail 45/40, 45/80						
Threaded plate	40x22	M8	0,043	50	07507908	
Threaded plate	40x22*	M10	0,042	50	07507910	
Threaded plate	40x22*	M12	0,040	50	07507912	

Threaded square plate



4-Kt-Threadplatte

Specification:

Profile rail type: 27/18, 35/21, rail system 45
 Mounting method: glide fast connections and shear hole haunch connections
 Application area: connecting parts, can be mounted on the bottom of the profile
 Required accessories: hexagon screw, threaded pin or-rod, washer and hexagon nut

Technical data:

Material: stainless steel
 Material type: V4A
 V2A

* application loads see on page 13/12

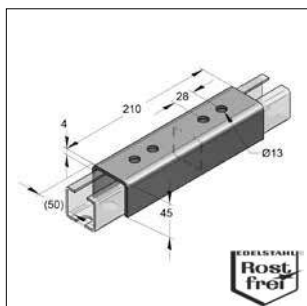
For profile rail width 27 and 35 mm

Identification	Dimension LxBxS [mm]	Thread G	Weight [kg/pc.]	Packing [pcs.]	V4A	V2A
					Part-No.	Part-No.
Threaded square plate	30x22x5,0	M8	0,025	100	0750838	0750818
Threaded square plate	30x22x5,0	M10	0,025	100	0750840	0750820
Threaded square plate	30x22x5,0	M12	0,024	100	0750842	0750822

For profile rail width 35 and 45 mm

Threaded square plate	35x30x5,0	M8	0,041	50	0481611	0480611
Threaded square plate	35x30x6,0*	M10	0,048	50	0481612	0480612
Threaded square plate	35x30x6,0*	M12	0,047	50	0481613	0480613
Threaded square plate	35x30x6,0	M16	0,043	50	0481614	0480614

Connector 45/40



Connector
for stainless steel profile rails

Specification:

Profile rail type: rail system 45
 Applications area: for static load connection and extension of C-profile rails of the rail system 45

Technical data:

Material: stainless steel
 Material type: V2A

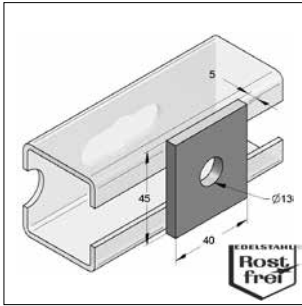
Recommended accessory: 2 x 2-hole threaded plate
 4 x hexagon screw M12 x 25
 4 x washer 13,0 x 24,0 x 2,5

Remark: connecting of double profile rails with two connectors 45/40

For profile rail width 45

Identification	Height [mm]	Width [mm]	Length [mm]	Material thickness [mm]	Weight [kg/pc.]	Packing [pc.]	V2A
							Part-No.
Connector 45/40	41	54	210	4	0,88	1	0480620

Perforated plate



Perforated plate

Specification:
Profile rail type: rail system 45

Technical data:
Material: stainless steel
Material type: V4A
V2A

Identification	Dimension [mm]	Weight [kg/pc.]	Packing [pc.]	Material	
				V4A Part-No.	V2A Part-No.
Perforated plate	45x40x5	0,068	1	0481401	0480401

Admissible loading

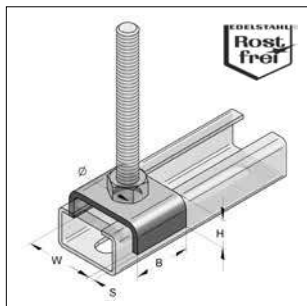
in combination with 2-hole threaded plate V2A/V4A, threaded plate V4A, Threaded square plate V2A/V4A
global safety coefficient $\gamma = 2$

Profile rail V2A/V4A	2-hole threaded plate V2A/V4A		
			M12
	F_z [kN]	F_x [kN]	tightening torque [Nm]
45/40/2,5	14,00	2,10	60
45/80/2,5 D			

Profile rail V2A/V4A	Threaded plate 40x22 V4A			
			M10	M12
	F_z [kN]	F_x [kN]	tightening torque [Nm]	tightening torque [Nm]
45/40/2,5	9,00	1,40	50	60
45/80/2,5 D				

Profile rail V2A/V4A	Threaded square plate 35x30x6 V2A/V4A			
			M10	M12
	F_z [kN]	F_x [kN]	tightening torque [Nm]	tightening torque [Nm]
45/40/2,5	7,00	1,00	50	60
45/80/2,5 D				

Profile holder



Profile holder

Specification:

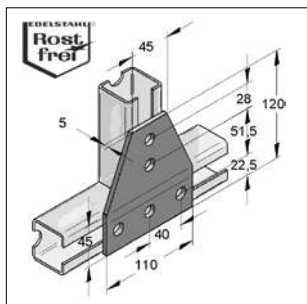
For profile rail type: rail system 27, 35 and 45
 Application area: suitable for connection of profile rails

Technical data:

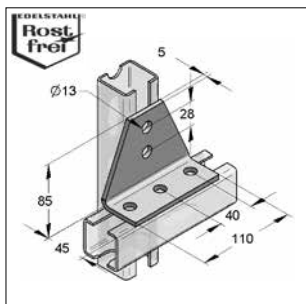
Material: stainless steel
 Material type: V4A
 V2A

Identification	profile rail width [mm]	W [mm]	B [mm]	Ø D [mm]	H [mm]	S [mm]	Weight [kg/pc.]	Packing [pc.]	V4A	V2A
									Part-No.	Part-No.
Profile holder	27	28	20	10,5	8	2	0,014	1	-	0809513
Profile holder	35	36	30	13,0	12	3	0,042	1	-	0809511
Profile holder	45	46	35	13,0	15	4	0,086	1	0481629	0480629

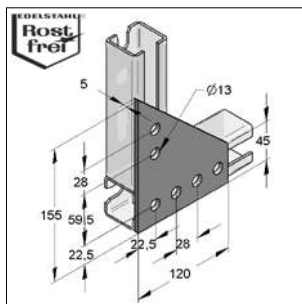
Lug



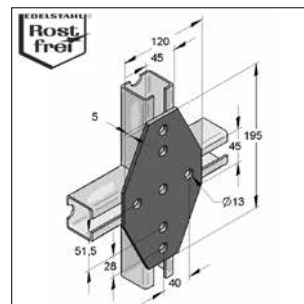
T-lug



T-lug 90°, angled



Corner plate



Cross strap

Specification:

For profile rail type: rail system 45

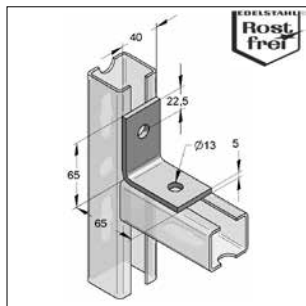
Remark: max. load depending on type of connection (see table page 13/12)

Technical data:

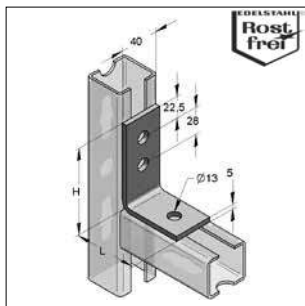
Material: stainless steel
 Material type: V4A
 V2A

Identification	Hole-Ø [mm]	Weight [kg/pc.]	Packing [pc.]	V4A	V2A
				Part-No.	Part-No.
T-Lug	13	0,412	1	0481657	0480657
T-Lug 90° angled	13	0,405	1	0481687	0480687
Corner plate	13	0,457	1	0481659	0480659
Cross strap	13	0,687	1	---	0480658

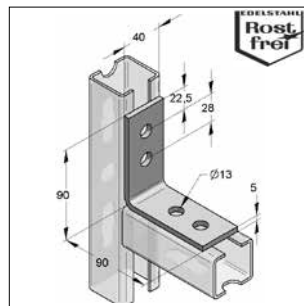
■ Angle 40/5



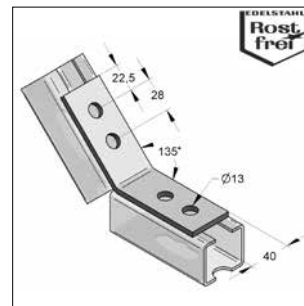
Angle 40/5 2-hole



Angle 40/5 3-hole L and K



Angle 40/5 4-hole 90°



Angle 40/5 4-hole 135°

Specification:

For profile rail type: rail system 45

Remark: Max. load depending on type of connection
(see table page 13/12)

Technical data:

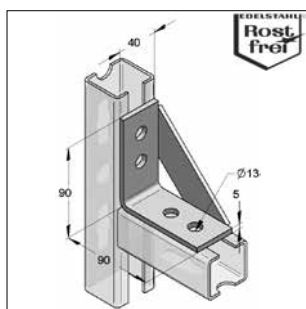
Material: stainless steel

Material type: V4A

V2A

Identification	Dimension LxHxS [mm]	Hole-Ø [mm]	Weight [kg/pc.]	Packing [pc.]	V4A	V2A
					Part-No.	Part-No.
Angle 40/5 2-hole	65x65x5,0	13	0,185	1	0481402	0480402
Angle 40/5 3-hole L	65x90x5,0	13	0,220	1	0481403	0480403
Angle 40/5 3-hole K	45x90x5,0	13	0,291	1	0481404	0480404
Angle 40/5 4-hole 90°	90x90x5,0	13	0,259	1	0481405	0480405
Angle 40/5 4-hole 135°	90x90x5,0	13	0,259	1	0481406	0480406

■ Knot triangle 40/5 4-hole



Knot triangle 40/5 4-hole

Specification:

For profile rail type: rail system 45

Remark: max. load depending on type of
connection (see table page 13/12)

Technical data:

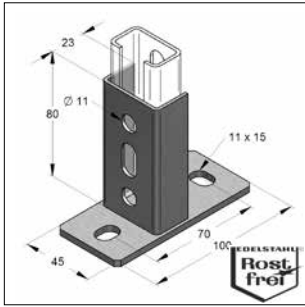
Material: stainless steel

Material type: V4A

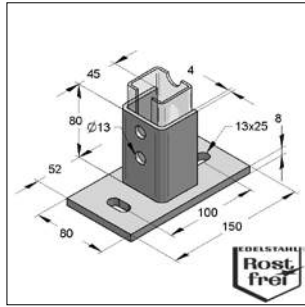
V2A

Identification	Hole-Ø [mm]	Weight [kg/pc.]	Packing [pc.]	V4A	V2A
				Part-No.	Part-No.
Knot triangle 40/5 4-hole	13	0,348	1	0481407	0480407

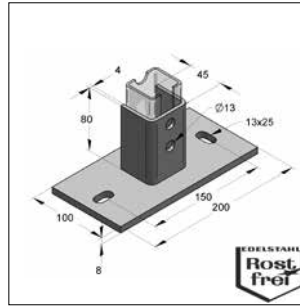
Holder



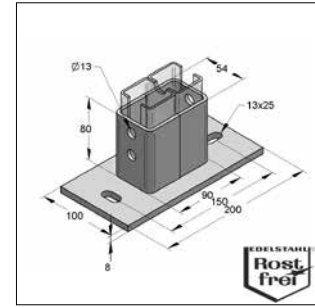
Holder 35
with base plate vertical



Holder 45
with base plate vertical



Holder 45
with base plate horizontal



Holder for
double C-profile rail 45/80

Specification:

Profile rail type: rail system 35, 45
 Required accessories holder 35: 2-hole-thread plate 38x17
 hexagon screw M10x25
 Required accessories holder 45: 2-hole-thread plate M12
 hexagon screw M12x25

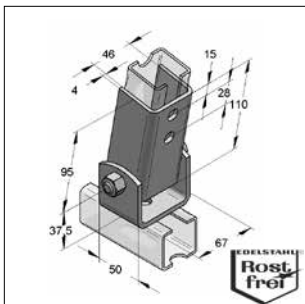
Remark: max. load depending on type of connection (see table page 13/12)

Technical data:

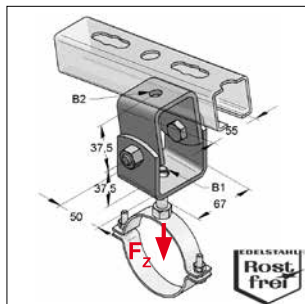
Material: stainless steel
 Material type: V4A
 V2A

Identification	Weight [kg/pc.]	Packing [pc.]	V4A	V2A
			Part-No.	Part-No.
Holder C-profile rail 35 vertical	0,23	1	9993300	-
Holder C-profile rail 45 vertical	1,08	1	0481201	0480201
Holder C-profile rail 45 horizontal	1,60	1	0481204	0480204
Holder for double C-profile rail 45/80	1,94	1	0481209	0480209

Joint holder



Joint holder



Joint holder with terminal hole

Specification:

Mounting method: on inclined roof- and bottom construction
 stepless fixable
 Application area: for connecting pipe clamps, for connecting profile rail

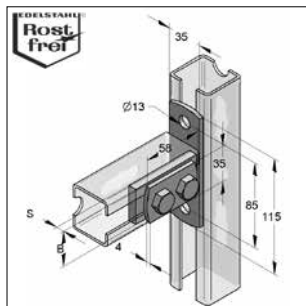
* Loads are based on component, not connection

Technical data:

Material: stainless steel
 Material type: V4A
 V2A

Identification	for threaded rods B1 / B2	B1 [mm]	B2 [mm]	max. load* F _z [kN]	Weight [kg/pc.]	Packing [pc.]	V4A	V2A
							Part-No.	Part-No.
Joint holder	-	-	-	-	0,790	1	0481206	0480206
Joint holder with terminal hole	M8-M12 / M8-M12	13	13	10	0,671	1	0481207	0480207
Joint holder with terminal hole	M16 / M16	17	17	10	0,663	1	0481208	0480208

Connector



Connector

Specification:

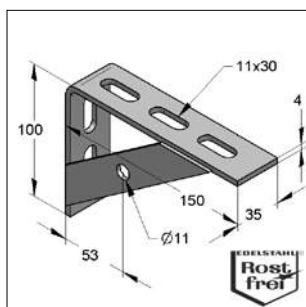
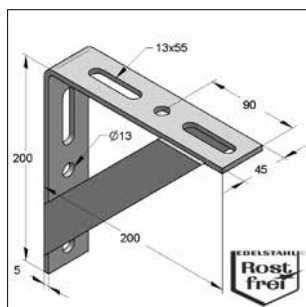
Profile rail type: rail system 35 and 45
 Application area: suitable for connection of profile rails
 Scope of delivery: hexagon screw M12x25

Technical data:

Material: stainless steel
 Material type: V4A
 V2A

Identification	s [mm]	B [mm]	Weight [kg/pc.]	Packing [pc.]	V4A		V2A	
					Part-No.	Part-No.	Part-No.	Part-No.
Connector 35/21	5	30	0,301	1	---	0480660		
Connector 45/40	6	35	0,363	1	0481656	0480656		

Angle bracket

Knot console L
with a braceAngle console
with two braces
Specification:

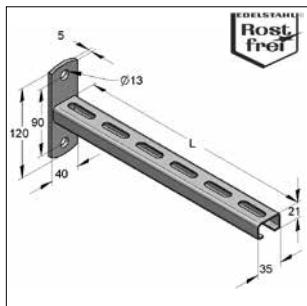
Profile rail type: rail system 45
 hole distance 105 mm

Technical data:

Material: stainless steel
 Material type: V4A
 V2A

Identification	max. load at L=120 mm [kN]	Weight [kg/pc.]	Packing [pc.]	V4A		V2A	
				Part-No.	Part-No.	Part-No.	Part-No.
Knot bracket L	2,5	0,304	1	0803102	0803101		
Angle bracket	5,0	1,368	1	0481408	0480408		

Console 35/21/2,0



Console 35/21/2,0

Specification:

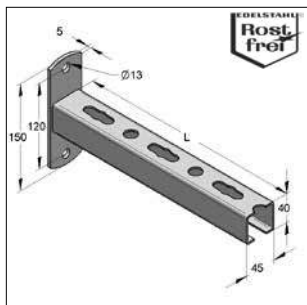
Plate: 120 x 40 x 5 mm
Holes: Ø 13,0 mm

Technical data:

Material: stainless steel
Material type: V4A
V2A

Identification	Length L [mm]	max. load						Weight [kg/pc.]	Packing [pc.]	V4A	V2A
		V4A			V2A					Part-No.	Part-No.
		q [kN/m]	F ₁ [kN]	F ₂ [kN]	q [kN/m]	F ₁ [kN]	F ₂ [kN]				
Console 35/21	262,5	2,24	0,59	0,29	1,87	0,49	0,25	0,51	1	0582021	0582020
Console 35/21	315,0	1,56	0,49	0,25	1,30	0,41	0,20	0,57	1	0583021	0583020
Console 35/21	420,0	0,88	0,37	0,18	0,73	0,31	0,15	0,69	1	0584021	0584020

Console 45/40/2,5



Console 45/40/2,5

Specification:

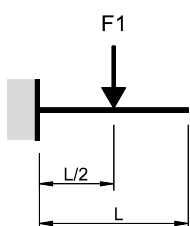
Plate: 150 x 50 x 5 mm
Holes: Ø 13,0 mm

Technical data:

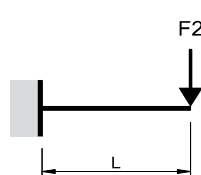
Material: stainless steel
Material type: V4A
V2A

Identification	Length L [mm]	max. load						Weight [kg/pc.]	Packing [pc.]	V4A	V2A
		V4A			V2A					Part-No.	Part-No.
		q [kN/m]	F ₁ [kN]	F ₂ [kN]	q [kN/m]	F ₁ [kN]	F ₂ [kN]				
Console 45/40	210,0	5,04	1,06	0,53	4,20	0,88	0,44	0,83	1	0481331	0480331
Console 45/40	315,0	2,24	0,71	0,35	1,87	0,59	0,29	1,10	1	0481330	0480330
Console 45/40	420,0	1,26	0,53	0,26	1,05	0,44	0,22	1,37	1	0481333	0480333
Console 45/40	525,0	0,81	0,42	0,21	0,67	0,35	0,18	1,63	1	0481335	0480335

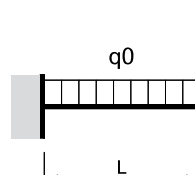
Loading condition 1 (LF1)



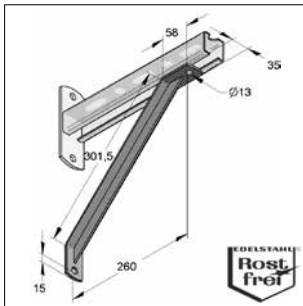
Loading condition 2 (LF2)



Loading condition 3 (LF3)



■ Brace 45°-T-profile



Brace 45° T-profile

Specification:

Holes: Ø 13,0 mm

Technical data:

 Material: stainless steel
 Material type: V4A
 V2A

Identification

Brace 45° T-profile

 Weight
 [kg/pc.]

0,679

 Packing
 [pc.]

1

V4A

Part-No.

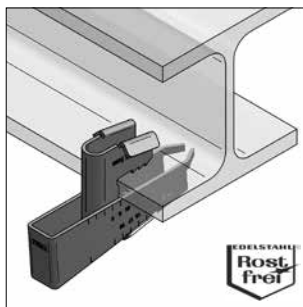
0481510

V2A

Part-No.

0480510

■ Girder clamp TKM



Girder clamp TKM



G 413 001


Specification:

 Application area: fast and simple mounting at steel structures and profiles
 Mounting: Girder clamp for stroking by hammer (3 graduation marks).
 Brand: SMK Meister

Technical data:

 Material: stainless steel
 Material type: V4A
 Approval: VdS and FM
 VdS G 413001

Identification

Girder clamp TKM 2 M10

 clamping range
 [mm]

8 - 20

for threaded

M10

 max. load
 [kN]

3,5

 Weight
 [kg/pc.]

0,161

 Packing
 [pcs.]

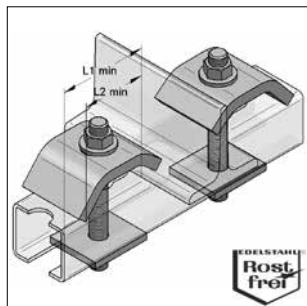
25

V4A

Part-No.

0481711

■ Clamping claw (set)



Clamping claw (set)

Specification:

Application area: for mounting
C-profile rail on T-girder

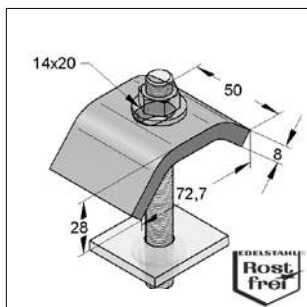
Scope of delivery: 2 clamping claws
2 threaded pins M12/110
4 hexagon nuts DIN 934
2 perforated plates 45/40/5 mm
2 washers DIN 125 13 mm

Technical data:

Material: stainless steel
Material type: V4A
V2A

Identification	max. clamping thickness [mm]	L1 min. [mm]	L2 min. [mm]	Weight [kg/set]	Packing [sets]	V4A	V2A
						Part-No.	Part-No.
Clamping claw (set) 45/40	26	70	36-45	0,839	1	0481652	0480652

■ Clamping claw



Clamping claw

Specification:

without accessories

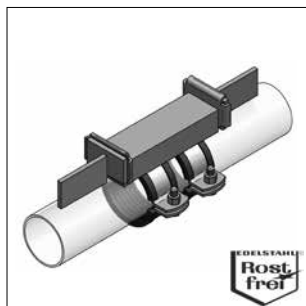
* Loads are based on component, not connection

Technical data:

Material: stainless steel
Material type: V4A
V2A

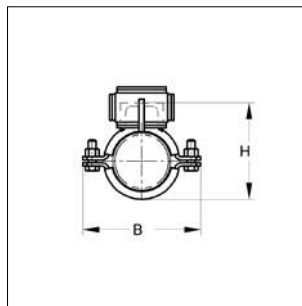
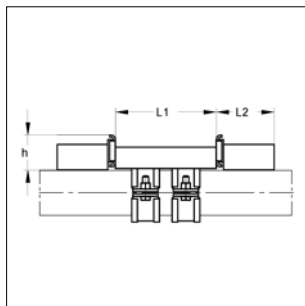
Identification	for threaded rod	tightening torque [Nm]	max. load* [kN]	Weight [kg/pc.]	Packing [pc.]	V4A	V2A
						Part-No.	Part-No.
Clamping claw	M12	5	8,2	0,247	1	0481651	0480651

Fixpoint type A (for welding)



Fixpoint type A

(specification stainless steel)



Specification:

Insulated fixpoint for high pressure loads, designed to avoid any metal connection of pipe and building.

Material Fixpoint: steel (S235JR)

Material Pressure pads: stainless steel V4A / V2A

Surface Fixpoint: galvanized

Sound insulation lining: TPE

Silicone

Temperature resistance: - 35 °C up to + 100 °C

- 50 °C up to + 250 °C

Remark: Mounting clamps for fixation of pressure pads as well as further technical information see chapter 3a.

¹⁾Due to safety reasons we recommend type B for diameters >DN80 (on demand).

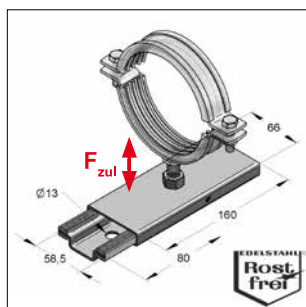
Fixpoint size I, T-steel (accessory: mounting clamp 1a)							Pressure pads V4A			Silicone	Rubber	
Clamping-range [mm]	Material pipe clamp [mm]	Sectional steel			h [mm]	H [mm]	B [mm]	max. axial ¹⁾ reactive force [kN]	Weight [kg/pc.]	Packing [pc.]	Part-No.	Part-No.
		[mm]	[mm]	[mm]							Part-No.	Part-No.
20 - 25	25 x 3	30 x 30 x 100	96	43	66 - 71	87	8,5	1,07	1	9999384	9999370	
26 - 30	25 x 3	30 x 30 x 100	96	43	72 - 76	92	8,5	1,10	1	9999385	9999371	
31 - 36	25 x 3	30 x 30 x 100	96	43	77 - 82	98	8,5	1,12	1	9999386	9999372	
38 - 45	25 x 3	30 x 30 x 100	96	43	84 - 91	107	8,5	1,16	1	9999387	9999373	
47 - 51	25 x 3	30 x 30 x 100	96	43	93 - 97	114	8,5	1,20	1	9999388	9999374	
53 - 57	25 x 3	30 x 30 x 100	96	43	99 - 102	120	8,5	1,23	1	9999389	9999375	

Fixpoint size II, U-steel (accessory: mounting clamp 2)							Pressure pads V4A			Silicone	Rubber	
Clamping-range [mm]	Material pipe clamp [mm]	Sectional steel			h [mm]	H [mm]	B [mm]	max. axial ¹⁾ reactive force [kN]	Weight [kg/pc.]	Packing [pc.]	Part-No.	Part-No.
		[mm]	[mm]	[mm]							Part-No.	Part-No.
60,3	50 x 5	65 x 42 x 200	126	43	112,5	148	20	4,75	1	9999390	9999376	
76,1	50 x 5	65 x 42 x 200	126	63	131,5	166	20	4,99	1	9999391	9999377	
88,9	50 x 5	65 x 42 x 200	126	63	146,0	179	20	5,20	1	9999392	9999378	
108,0	50 x 5	65 x 42 x 200	126	63	165,0	198	20	5,47	1	9999393	9999379	
114,3	50 x 5	65 x 42 x 200	126	63	171,5	204	20	5,56	1	9999394	9999380	
133,0	50 x 5	80 x 45 x 200	126	63	191,0	223	20	6,21	1	9999395	9999381	
139,7	50 x 5	80 x 45 x 200	126	63	198,5	230	20	6,32	1	9999396	9999382	
159 - 160	50 x 5	80 x 45 x 200	126	63	218 - 219	250	20	6,60	1	9999397	9999383	

Fixpoint size I, T-steel (accessory: mounting clamp 1a)							Pressure pads V2A			Silicone	Rubber	
Clamping-range [mm]	Material pipe clamp [mm]	Sectional steel			h [mm]	H [mm]	B [mm]	max. axial ¹⁾ reactive force [kN]	Weight [kg/pc.]	Packing [pc.]	Part-No.	Part-No.
		[mm]	[mm]	[mm]							Part-No.	Part-No.
20 - 25	25 x 3	30 x 30 x 100	96	43	66 - 71	87	8,5	1,07	1	9999746	9999530	
26 - 30	25 x 3	30 x 30 x 100	96	43	72 - 76	92	8,5	1,10	1	9999745	9999535	
31 - 36	25 x 3	30 x 30 x 100	96	43	77 - 82	98	8,5	1,12	1	9999524	9999351	
38 - 45	25 x 3	30 x 30 x 100	96	43	84 - 91	107	8,5	1,16	1	9999361	9999352	
47 - 51	25 x 3	30 x 30 x 100	96	43	93 - 97	114	8,5	1,20	1	9999744	9999353	
53 - 57	25 x 3	30 x 30 x 100	96	43	99 - 103	120	8,5	1,23	1	9999362	9999354	

Fixpoint size II, U-steel (accessory: mounting clamp 2)							Pressure pads V2A			Silicone	Rubber	
Clamping-range [mm]	Material pipe clamp [mm]	Sectional steel			h [mm]	H [mm]	B [mm]	max. axial ¹⁾ reactive force [kN]	Weight [kg/pc.]	Packing [pc.]	Part-No.	Part-No.
		[mm]	[mm]	[mm]							Part-No.	Part-No.
60,3	50 x 5	65 x 42 x 200	126	43	112,5	148	20	4,75	1	9999525	9999419	
76,1	50 x 5	65 x 42 x 200	126	63	113,5	166	20	4,99	1	9999363	9999355	
88,9	50 x 5	65 x 42 x 200	126	63	146,0	179	20	5,20	1	9999364	9999356	
108,0	50 x 5	65 x 42 x 200	126	63	165,0	198	20	5,47	1	9999365	9999357	
114,3	50 x 5	65 x 42 x 200	126	63	171,5	204	20	5,56	1	9999366	9999358	
133,0	50 x 5	80 x 45 x 200	126	63	191,0	223	20	6,21	1	9999367	9999359	
139,7	50 x 5	80 x 45 x 200	126	63	198,5	230	20	6,32	1	9999368	9999429	
159,0	50 x 5	80 x 45 x 200	126	63	218 - 219	250	20	6,60	1	9999369	9999360	

Slider GL 100



Slider GL 100

Specification:

max. sliding way:	75 mm
max. pipe clamp size:	1 x M10: 88,9 mm
	1 x M12: 114,3 mm
	2 x M12: 139,7 mm
	2 x sleeve 1/2": 219,1 mm

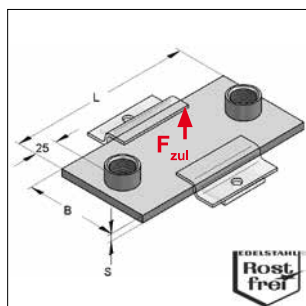
Technical data:

Material:	stainless steel
Material type:	V2A

Delivery time: 5 working days, ex works

Identification	Connection	max. load		Weight [kg/pc.]	Packing [pc.]	V2A
		F _{zul} hanging [kN]	F _{zul} standing [kN]			Part-No.
Slider GL 100	1 x M10	0,8	1,1	0,431	1	0770540
Slider GL 100	1 x M12	1,2	1,5	0,436	1	0770542
Slider GL 100	2 x M12	2,0	2,4	0,453	1	0770543
Slider GL 100	2 x 1/2"	3,5	4,0	0,487	1	0770544

Sliding plates



Sliding plate

Specification:

Application area:	absorption of axial length extensions
Required accessories:	sliding stripe Z-pressure pad

Technical data:

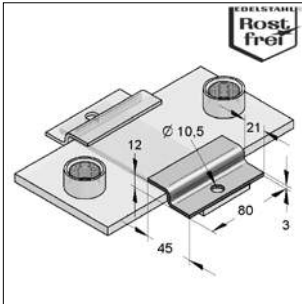
Material:	stainless steel
Material type:	V4A V2A

Recommended pipe diameters: L 150 = up to OD 193,0 mm
L 200 = up to OD 299,5 mm
L 250 = up to OD 419,0 mm

13

Identification	Dimension LxBxS [mm]	Connection	max. sliding piece		max. load F _{zul} [kN]	Accessory sliding stripe [Part-No.]	Weight [kg/pc.]	Packing [pc.]	V4A	V2A
			hanging [mm]	standing [mm]					Part-No.	Part-No.
Sliding plates 150x100x8		2 x M16	20	100	6,8	0779555	1,06	1	0772831	0772808
Sliding plates 200x100x8		2 x M16	70	150	4,5	0779555	1,39	1	0772832	0772805
Sliding plates 200x150x8		2 x 1/2"	70	150	6,8	0779567	2,03	1	0772824	0772804
Sliding plates 250x100x8		2 x 1/2"	120	200	3,4	0779555	1,70	1	0772823	0772803

Z-pressure pad



Z-pressure pad

Specification:

Application area: for mounting of MEFA sliding plates on on-site supports

Required accessories: hexagon screw M10x25, threaded plate (related to profile rail)

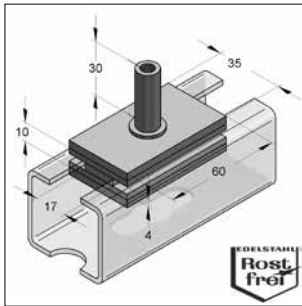
Technical data:

Material: stainless steel

Material type: V4A
V2A

Identification	Length [mm]	Weight [kg/pc.]	Packing [pc.]	Material	
				V4A Part-No.	V2A Part-No.
Z-pressure pad	80	0,102	1	0779516	0779511

Profile rail sliders 45



Profile rail slider 45

Specification:

For profile rail type: C-profile 45 mm

Application area: absorption of radial and axial length extensions of pipes. For standing, hanging or vertical passed pipes
release of lateral shear force

Technical data:

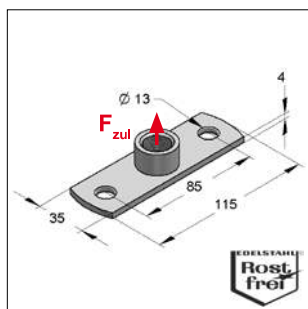
Material: stainless steel

Material type: V4A
V2A

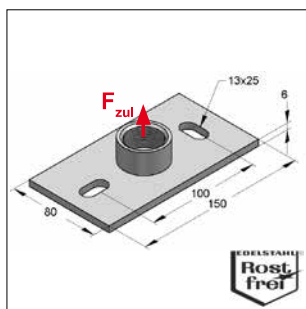
Version V4A: hexagonal distance sleeve

Identification	Connection	max. recom. distances sliding body - pipe clamp [mm]	max. load		Weight [kg/pc.]	Packing [pc.]	Material	
			hanging [kN]	standing [kN]			V4A Part-No.	V2A Part-No.
Profile rail sliders	M8	70	2,0	2,0	0,198	1	0770010	0770005
Profile rail sliders	M10	100	2,0	2,0	0,232	1	0770011	0770006

■ Base plates



Base plate type I



Base plate type III

Specification:

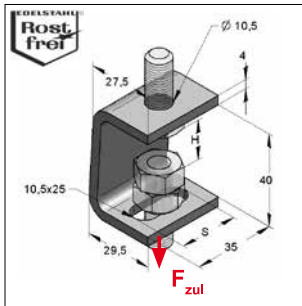
Application area: plates with threaded connection suitable for mounting on structure or profile rails.
applicable for pipe clamp connections via threaded pin/- rod or distance tube

Technical data:

Material: stainless steel
Material type: V4A
V2A

Identification	Dimension plate			max. load suspension F_{zul} [kN]	Weight [kg/pc.]	Packing [pc.]	V4A	V2A
	length [mm]	width [mm]	thickness [mm]				Part-No.	Part-No.
Base plate type I / M8	115	35	4	1,35	0,125	1	0598479	0599479
Base plate type I / M10	115	35	4	1,35	0,132	1	0598495	0599495
Base plate type I / M12	115	35	4	1,35	0,137	1	0598061	0599061
Base plate type I / M16	115	35	4	1,35	0,159	1	0598088	0599088
Base plate type I / 1/2"	115	35	4	1,35	0,154	1	0598045	0599045
Base plate type III / M16	150	80	6	5,9	0,598	1	0598601	0599601
Base plate type III / 1/2"	150	80	6	5,9	0,593	1	0598602	0599602
Base plate type III / 3/4"	150	80	6	5,9	0,605	1	0598599	0599599
Base plate type III / 1"	150	80	6	5,9	0,639	1	0598600	0599600

■ Suspended bracket type L



Suspended bracket type L

Specification:

Application area: for single fixation with threaded rods

Required accessories: 1 threaded bolt M8/M10
2 hexagon nuts M8/M10

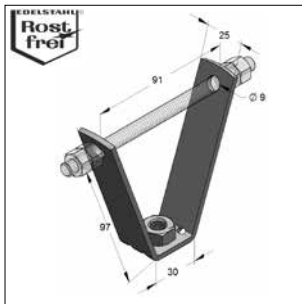
Technical data:

Material: stainless steel

Material type: V4A
V2A

Identification	Thread	Adjustable height H [mm]	Sliding piece S [mm]	max. load F_{zul} [kN]	Weight [kg/pc.]	Packing [pc.]	Material	
							V4A Part-No.	V2A Part-No.
Suspended bracket type L	M8 and M10	20/16	15-17	2,0	0,096	1	0781002	0781001

■ Trapeze hanger



Trapeze hanger

Specification:

Application area: trapeze hanger with threaded rod should be mounted via lateral holes. For mounting pipelines and ventilation ducts directly under trapeze sheeting

Required accessories: 1 threaded bolt M8
4 hexagon nuts M8

Technical data:

Material: stainless steel

Material type: V4A
V2A

Identification	Thread	max. load [kN]	Weight [kg/pc.]	Packing [pc.]	Material	
					V4A Part-No.	V2A Part-No.
Trapeze hanger	M8	2,0	0,130	1	0783971	0783961
Trapeze hanger	M10	2,0	0,136	1	0783972	0783962

Threaded rods



Threaded rod

Distance L [mm]	Admissible load* on bending								* V4A $f_y=240 \text{ N/mm}^2$ safety factor=1,5 E-module=200.000 N/mm ² * V2A $f_y=220 \text{ N/mm}^2$ safety factor=1,5 E-module=200.000 N/mm ² max. deflection $f = L/150$ related to tensile stress area
	V4A		V2A		V4A		V2A		
	M8 F [kN]		M10 F [kN]		M12 F [kN]		M16 F [kN]		
50	0,10	0,09	0,20	0,18	0,35	0,32	0,89	0,81	
100	0,04	0,04	0,10	0,09	0,17	0,16	0,44	0,41	
150	0,02	0,02	0,05	0,05	0,10	0,10	0,30	0,27	
200	0,01	0,01	0,03	0,03	0,06	0,06	0,20	0,20	
250			0,02	0,02	0,04	0,04	0,13	0,13	
300			0,01	0,01	0,03	0,03	0,09	0,09	
350					0,02	0,02	0,06	0,06	
400							0,05	0,05	

Specification:

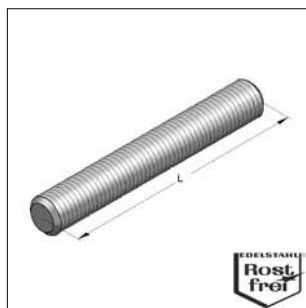
according to DIN EN ISO 976-1
Thread: M8, M10, M12, M16
Length: 1000 mm

Technical data:

Material: stainless steel
Material type: V4A
V2A

Identification	Thread	Limited tractive force max. V4A / V2A [kN]	Weight [kg/m]	Packing [pc.]	V4A	V2A
					Part-No.	Part-No.
Threaded rod	M8	12,08	0,333	1	0738508	0738006
Threaded rod	M10	19,14	0,520	1	0738510	0738009
Threaded rod	M12	27,82	0,749	1	0738512	0738012
Threaded rod	M16	51,81	1,331	1	0738516	0738016

Threaded bolts



Threaded pin

Specification:

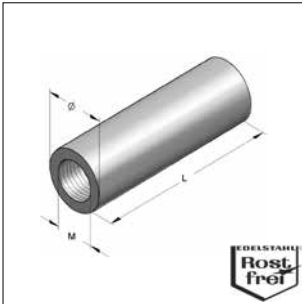
according to DIN EN ISO 976-1
Thread: M8, M10, M12
Length: 30 up to 110 mm

Technical data:

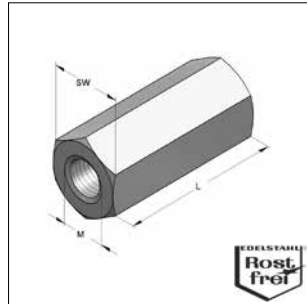
Material: stainless steel
Material type: V4A
V2A

Identification	Thread	Length L [mm]	Limited tractive force max. V4A / V2A [kN]	Weight [kg/pc.]	Packing [pcs.]	V4A	V2A
						Part-No.	Part-No.
Threaded bolt	M8	30	12,08	0,010	100	---	0732130
Threaded bolt	M8	50	12,08	0,017	100	---	0732150
Threaded bolt	M8	70	12,08	0,024	100	---	0732170
Threaded bolt	M8	110	12,08	0,037	100	---	0732210
Threaded bolt	M10	50	19,14	0,026	100	---	0732350
Threaded bolt	M10	70	19,14	0,037	100	---	0732370
Threaded bolt	M10	110	19,14	0,057	50	---	0732410
Threaded bolt	M12	50	27,82	0,038	50	0734550	0732550
Threaded bolt	M12	110	27,82	0,083	50	0734610	0732610

Threaded coupling



Threaded coupling



Threaded coupling hexagon

Specification:

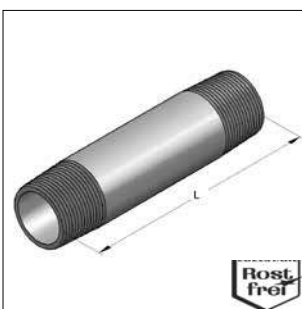
Thread: M8, M10, M12, M16
Length: 30 up to 50 mm

Technical data:

Material: stainless steel
Material type: V4A
V2A

Round								V4A	V2A
Identification	Female thread M	Length L V4A [mm]	Length L V2A [mm]	OD [mm]	SW	Weight [kg/pc.]	Packing [pcs.]	Part-No.	Part-No.
Threaded coupling	M8	---	30	11	---	0,015	100	---	0700025
Threaded coupling	M10	---	40	13	---	0,025	50	---	0700026
Threaded coupling	M12	---	40	15	---	0,031	50	---	0700027
Threaded coupling	M16	---	50	22	---	0,092	25	---	0700028
Hexagon									
Threaded coupling	M8	30	30	---	13	0,027	100	0702880	0702830
Threaded coupling	M10	30	40	---	17	0,062	50	0702883	0702835
Threaded coupling	M12	30	40	---	19	0,074	50	0702888	0702840
Threaded coupling	M16	40	40	---	24	0,111	25	0702894	0702844

Double nipple



Double nipple

Specification:

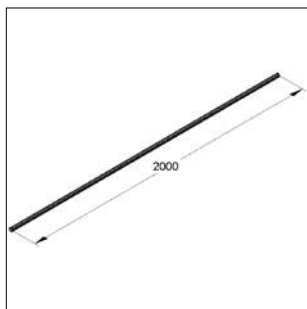
Length: 30 up to 140 mm

Technical data:

Material: stainless steel
Material type: V4A

Identification	Thread	Length L [mm]	Weight [kg/pc.]	Packing [pc.]	V4A Part-No.
Double nipple	1/2"	30	0,028	1	0701803
Double nipple	1/2"	45	0,048	1	0701804
Double nipple	1/2"	60	0,066	1	0701806
Double nipple	1/2"	100	0,115	1	0701810
Double nipple	1/2"	125	0,136	1	0701812
Double nipple	1/2"	140	0,166	1	0701612

Distance tube



Distance tube

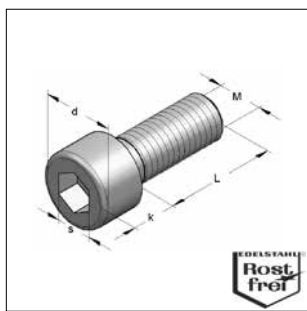
Specification:

Version: tube with male thread

Technical data:
Material: stainless steel
Material type: V4A

Identification	Thread	Length [mm]	Weight [kg/pc.]	Packing [m]	V4A	
					Part-No.	Part-No.
Distance tube	1/2"	2000	2,480	2	0737002A4	
Distance tube	1"	2000	4,980	2	0737004A4	

Allen head cap screw, DIN EN ISO 4762

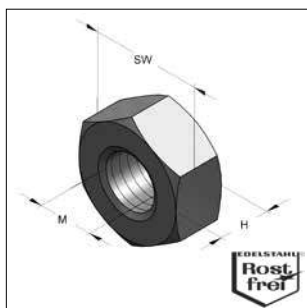


Allen head screw

Specification:
with hexagon socket
according to DIN EN ISO 4762
Thread: M8, M10, M12
Length: 20 up to 30 mm
Technical data:
Material: stainless steel
Material type: V4A
V2A

Identification	Thread	L [mm]	d [mm]	k [mm]	s [mm]	Weight [kg/pc.]	Packing [pcs.]	V4A		V2A	
								Part-No.	Part-No.	Part-No.	Part-No.
Allen head screw	M8	20	13	8	6	0,016	100	3445220		3445201	
Allen head screw	M10	30	16	10	8	0,033	50	3445230		3445231	
Allen head screw	M12	25	18	12	10	0,043	50	3445225		3445226	

Hexagon nut, DIN EN ISO 4032

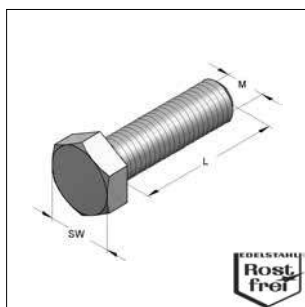


Hexagon nut

Specification:
according to DIN EN ISO 4032
Thread: M6, M8, M10, M12, M16
Wrench size: 10, 13, 17, 19, 24
Technical data:
Material: stainless steel
Material type: V4A
V2A

Identification	Thread	Height [mm]	Wrench size SW	Weight [kg/pc.]	Packing [pcs.]	V4A		V2A	
						Part-No.	Part-No.	Part-No.	Part-No.
Hexagon nut	M6	5,0	10	0,003	100	4128006		4128106	
Hexagon nut	M8	6,5	13	0,005	100	4128108		4128008	
Hexagon nut	M10	8,0	17	0,013	100	4128110		4128010	
Hexagon nut	M12	10,0	19	0,017	100	4128112		4128012	
Hexagon nut	M16	13,0	24	0,040	100	4128116		4128016	

Hexagon screw, DIN EN ISO 4017



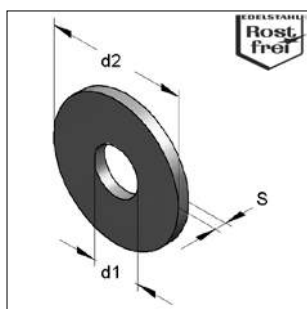
Hexagon screw

Specification:
according to DIN EN ISO 4017
Thread: M8, M10, M12
Length: 20 up to 60 mm

Technical data:
Material: stainless steel
Material type: V4A
V2A

Identification	Thread M	Length L [mm]	Wrench size SW	Weight [kg/pc.]	Packing [pcs.]	V4A	V2A
						Part-No.	Part-No.
Hexagon screw	M8	20	13	0,014	100	3206621	3206620
Hexagon screw	M8	30	13	0,018	100	3206631	3206630
Hexagon screw	M10	25	17	0,027	100	3206702	3206701
Hexagon screw	M10	40	17	0,039	50	3206741	3206740
Hexagon screw	M10	60	17	0,049	50	3206761	3206760
Hexagon screw	M12	25	19	0,035	50	3206802	3206801
Hexagon screw	M12	40	19	0,053	50	3206826	3206825
Hexagon screw	M12	60	19	0,071	50	3206836	3206835

Washer



Washer

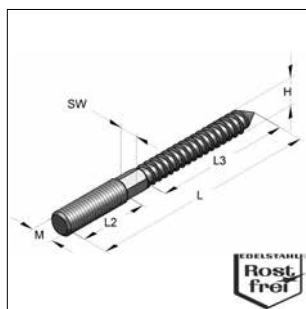
Specification:
according to DIN EN ISO 7089 and DIN EN ISO 7093-1

reinforced washer with enlarged outer diameter,
enlarged surface and improved pressure distribution

Technical data:
Material: stainless steel
Material type: V4A
V2A

Identification	Dimension			DIN EN ISO	Weight [kg/pc.]	Packing [pcs.]	V4A	V2A	
	d1 [mm]	x	d2 x [mm]				s [mm]	Part-No.	Part-No.
Washer	8,4	x	16 x	1,6	7089	0,002	100	4338118	4338108
Washer	10,5	x	20 x	2,0	7089	0,004	100	4338120	4338110
Washer	13,0	x	24 x	2,5	7089	0,007	100	4338123	4338113
Washer	8,4	x	25 x	2,0	7093-1	0,008	100	4338208	4338008
Washer	10,5	x	30 x	2,5	7093-1	0,013	100	4338210	4338010
Washer	13,0	x	37 x	3,0	7093-1	0,024	100	4338213	4338013
Washer	17,0	x	50 x	3,0	7093-1	0,043	50	4338217	4338017
Washer	10,5	x	40 x	3,0	-	0,029	100	43385103	-

Hanger bolt



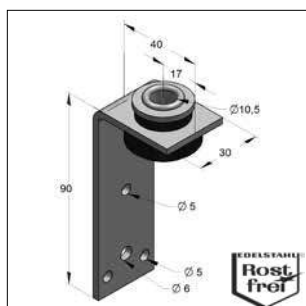
Hanger bolt

Specification:
with wood- and metric thread

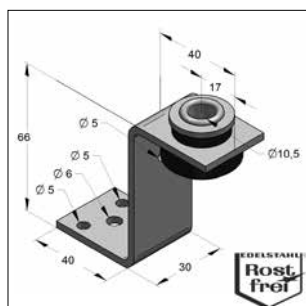
Technical data:
Material: stainless steel
Material type: V4A
V2A

Identification	Thread M	L [mm]	H [mm]	L2 [mm]	L3 [mm]	SW	Suited anchor K2	Weight [kg/pc.]	Packing [pcs.]	V4A	V2A
										Part-No.	Part-No.
Hanger bolt	M8	60	7,0	20	30	6	10 x 44	0,016	100	3600037	3600035
Hanger bolt	M8	80	7,0	30	37	6	10 x 44	0,021	100	3600045	3600043
Hanger bolt	M8	100	7,0	40	47	6	10 x 44	0,027	100	3600072	3600070
Hanger bolt	M10	80	8,9	20	47	8	12 x 60	0,035	50	---	3609083
Hanger bolt	M10	100	8,9	30	57	8	12 x 60	0,042	50	---	3609105

Duct holder sound proofed



Duct holder LLN



Duct holder ZLN



13

Specification:

Application area: for mounting of air ducts, suitable for M8 and M10

Product features: guiding rivet in sound insulation element
integrated washer in sound insulation element for type L

Technical data:

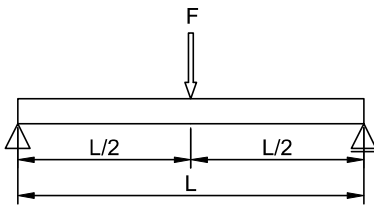
Material: stainless steel
Material type: V4A
V2A

Sound insulation: SBR lining
Temperature resistance: - 35 °C up to + 100 °C

Identification	Length	Material [mm]	max. load [kN]	Weight [kg/pc.]	Packing [pc.]	V4A	V2A
						Part-No.	Part-No.
Duct holder LLN	90 mm	30x3,0	0,9	0,109	1	0590004	0590003
Duct holder ZLN	66 mm	30x3,0	0,9	0,117	1	0590039	0590038

■ Loads profile rails, stainless steel

maximum loads for 1 x F



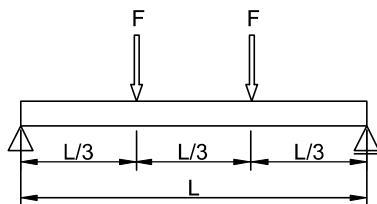
Profile rails stainless steel								
	27/18/1,25	27/18/1,25	35/21/2,0	35/21/2,0	45/40/2,5	45/40/2,5	45/80/2,5	45/80/2,5
Surface	V2A	V4A	V2A	V4A	V2A	V4A	V2A	V4A
F L	[kN]	[kN]	[kN]	[kN]	[kN]	[kN]	[kN]	[kN]
[mm]	max. load F							
250	0,75	0,78	1,77	1,85	6,69	6,98	11,84	11,84
500	0,37	0,39	0,89	0,92	3,34	3,49	9,86	10,29
750	0,25	0,25	0,59	0,62	2,23	2,32	6,57	6,85
1000	0,15	0,14	0,4	0,4	1,67	1,74	4,91	5,13
1250			0,25	0,25	1,33	1,39	3,92	4,09
1500			0,17	0,17	1,1	1,15	3,26	3,4
1750			0,12	0,12	0,87	0,87	2,78	2,9
2000					0,66	0,66	2,42	2,53
2250					0,51	0,51	2,14	2,24
2500					0,4	0,4	1,92	2
2750					0,32	0,32	1,73	1,81
3000					0,26	0,26	1,57	1,65
3250					0,21	0,21	1,4	1,4
3500					0,17	0,17	1,19	1,19
3750					0,14	0,14	1,01	1,01
4000					0,11	0,11	0,87	0,87
4250							0,75	0,75
4500							0,65	0,65
4750							0,56	0,56
5000							0,48	0,48
5250							0,42	0,42
5500							0,36	0,36
5750							0,3	0,3
6000							0,26	0,26

Calculation according

Safety $\chi = 1,54$
 max. bending $\delta_{zul} = L/200$
 module of elasticity $E = 200.000 \text{ N/mm}^2$

■ Loads profile rails, stainless steel

maximum loads for 2xF



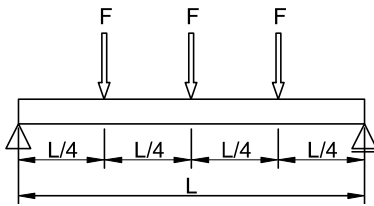
Profile rails stainless steel								
	27/18/1,25	27/18/1,25	35/21/2,0	35/21/2,0	45/40/2,5	45/40/2,5	45/80/2,5	45/80/2,5
Surface	V2A	V4A	V2A	V4A	V2A	V4A	V2A	V4A
$\frac{F}{L}$	[kN]	[kN]	[kN]	[kN]	[kN]	[kN]	[kN]	[kN]
[mm]	max. load F							
250	0,56	0,58	1,33	1,39	5,02	5,24	5,92	5,92
500	0,28	0,29	0,67	0,69	2,51	2,62	5,92	5,92
750	0,16	0,15	0,42	0,42	1,67	1,74	4,93	5,14
1000			0,24	0,24	1,25	1,3	3,69	3,85
1250			0,15	0,15	1	1,02	2,94	3,07
1500			0,1	0,1	0,7	0,7	2,44	2,55
1750					0,51	0,51	2,09	2,18
2000					0,39	0,39	1,82	1,9
2250					0,3	0,3	1,61	1,68
2500					0,24	0,24	1,44	1,45
2750					0,19	0,19	1,18	1,18
3000					0,16	0,16	0,98	0,98
3250					0,13	0,13	0,83	0,83
3500					0,1	0,1	0,7	0,7
3750							0,6	0,6
4000							0,51	0,51
4250							0,44	0,44
4500							0,38	0,38
4750							0,33	0,33
5000							0,28	0,28
5250							0,25	0,25
5500							0,21	0,21
5750							0,18	0,18
6000							0,15	0,15

Calculation according

Safety $\chi = 1,54$
 max. bending $\delta_{zul} = L/200$
 module of elasticity $E = 200.000 \text{ N/mm}^2$

■ Loads profile rails, stainless steel

maximum loads for 3xF



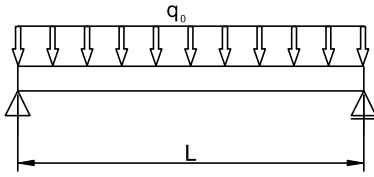
Profile rails stainless steel								
	27/18/1,25	27/18/1,25	35/21/2,0	35/21/2,0	45/40/2,5	45/40/2,5	45/80/2,5	45/80/2,5
Surface	V2A	V4A	V2A	V4A	V2A	V4A	V2A	V4A
F L	[kN]	[kN]	[kN]	[kN]	[kN]	[kN]	[kN]	[kN]
[mm]	max. load F							
250	0,38	0,39	0,89	0,93	3,35	3,49	3,95	3,95
500	0,19	0,2	0,45	0,46	1,67	1,75	3,95	3,95
750	0,11	0,11	0,3	0,3	1,12	1,16	3,29	3,43
1000			0,17	0,17	0,84	0,87	2,46	2,57
1250			0,11	0,11	0,67	0,7	1,96	2,05
1500					0,51	0,51	1,63	1,7
1750					0,37	0,37	1,39	1,45
2000					0,28	0,28	1,21	1,27
2250					0,22	0,22	1,07	1,12
2500					0,17	0,17	0,96	1
2750					0,14	0,14	0,85	0,85
3000					0,11	0,11	0,71	0,71
3250							0,59	0,59
3500							0,5	0,5
3750							0,43	0,43
4000							0,37	0,37
4250							0,32	0,32
4500							0,28	0,28
4750							0,24	0,24
5000							0,21	0,21
5250							0,18	0,18
5500							0,15	0,15
5750							0,13	0,13
6000							0,11	0,11

Calculation according

Safety $\chi = 1,54$
 max. bending $\delta_{zul} = L/200$
 module of elasticity $E = 200.000 \text{ N/mm}^2$

■ Loads profile rails, stainless steel

maximum loads for distributed load

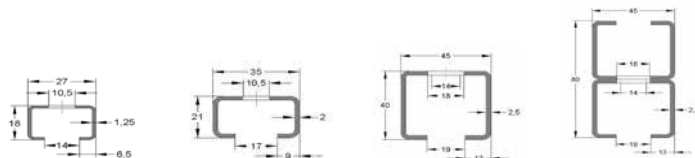
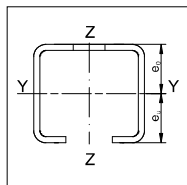


Profile rails stainless steel								
	27/18/1,25	27/18/1,25	35/21/2,0	35/21/2,0	45/40/2,5	45/40/2,5	45/80/2,5	45/80/2,5
Surface	V2A	V4A	V2A	V4A	V2A	V4A	V2A	V4A
$\frac{q_0}{L}$	[kN/m]	[kN/m]	[kN/m]	[kN/m]	[kN/m]	[kN/m]	[kN/m]	[kN/m]
[mm]	max. load F							
250	5,93	6,18	14,14	14,75	53,51	55,83	47,34	47,34
500	1,48	1,54	3,53	3,68	13,36	13,94	23,67	23,67
750	0,55	0,53	1,52	1,52	5,93	6,19	15,78	15,78
1000	0,23	0,22	0,64	0,64	3,33	3,47	9,82	10,25
1250	0,12	0,11	0,32	0,32	2,12	2,21	6,27	6,55
1500			0,18	0,18	1,27	1,27	4,34	4,53
1750			0,11	0,11	0,79	0,79	3,18	3,32
2000					0,53	0,53	2,42	2,53
2250					0,36	0,36	1,9	1,99
2500					0,26	0,26	1,53	1,58
2750					0,19	0,19	1,17	1,17
3000					0,14	0,14	0,89	0,89
3250					0,11	0,11	0,69	0,69
3500							0,55	0,55
3750							0,44	0,44
4000							0,35	0,35
4250							0,29	0,29
4500							0,23	0,23
4750							0,19	0,19
5000							0,16	0,16
5250							0,13	0,13
5500							0,11	0,11
5750								
6000								

Calculation according

Safety $\chi = 1,54$
 max. bending $\delta_{zul} = L/200$
 module of elasticity $E = 200.000 \text{ N/mm}^2$

Profile rail overview stainless steel



Profile rail			stainless steel			
			27/18/1,25	35/21/2,0	45/40/2,5	45/80/2,5
V2A						
Material			1.4301	1.4301	1.4301	1.4301
Elastic limit	f_y	N/mm ²	230	230	230	230
Weight/ meter	G/m	kg/m	0,61	1,21	2,56	5,12
V4A						
Material			1.4571	1.4571	1.4571	1.4571
Elastic limit	f_y	N/mm ²	240	240	240	240
Weight/ meter	G/m	kg/m	0,61	1,21	2,56	5,12
Delivery length	l	m	2,00	3,00	6,00	6,00
Area (least cross section of the profile rail)	A_k	cm ²	0,67	1,44	2,79	5,59
Slot width	b_s	mm	14,0	17,0	19,0	19,0
Grid dimension	l_r	mm	52,5	52,5	105,0	105,0
Diameter round hole	d_r	mm	-	-	18	18
Diameter elongated hole x length	$d_l \times l_l$	mm x mm	10,5x38,5	10,5x38,5	14x45	14x45
Extension diameter elongated hole	d_e	mm	-	-	18	18
Characteristic values YY-axis						
Axial angular impulse	I_y	cm ⁴	0,29	0,84	5,68	33,02
Section modulus	W_y	cm ³	0,31	0,74	2,80	8,26
Centroid distance	e_o	cm	0,85	0,97	1,97	4,00
Centroid distance	e_u	cm	0,95	1,13	2,03	4,00
Radius of inertia	i_y	cm	0,66	0,76	1,43	2,43
Characteristic values ZZ-axis						
Axial angular impulse	I_z	cm ⁴	0,89	2,94	10,40	20,80
Section modulus z-axis	W_z	cm ³	0,66	1,68	4,62	9,24
Centroid distance	e_z	cm	1,35	1,75	2,25	2,25
Radius of inertia	i_z	cm	1,15	1,43	1,93	1,93