

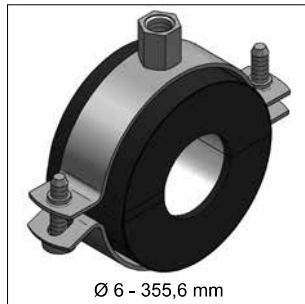
■ MEFA insulated pipe clamps



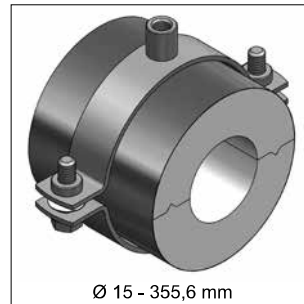
Polar plus insulated pipe clamp  
Page 6/2



Polar plus sliding sledge U120 / U140  
Page 6/5



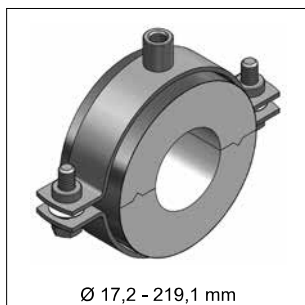
Husky insulated pipe clamp  
Page 6/6



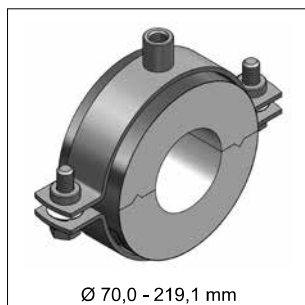
ALU/PU >80< insulated pipe clamp  
Page 6/9



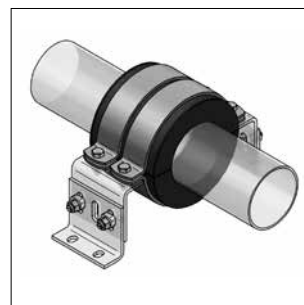
ALU/PU >80< insulated pipe clamp with sheet jacket  
Page 6/9



ALU/PU >80< s insulated pipe clamp  
Page 6/12



ALU/PU >80< s insulated pipe clamp with half jacket  
Page 6/12



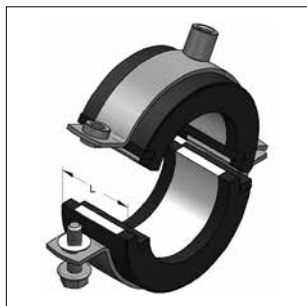
Insulated fixpoint  
Page 6/14



Foamglas® insulated pipe clamp  
Page 6/14

ⓘ Tightening torque of locking screws on pipe clamps see chapter 15.

## ■ Polar plus insulated pipe clamp



Polar plus insulated pipe clamp  
(Pict. with clamp Maxima PSM)

- Pipe clamp body situated outside of insulation
- Joining surface of half shells sealed with synthetic rubber cushion at joints
- No gluing on site
- Assembly unit can be opened again after closing
- High water vapor diffusion resistance and low thermal conductivity
- Pipe clamps and insulation glued together and form an assembly unit
- Rubber completion on face side
- Halogen free

### Application range

OD	Insulation thickness	Shell length
[mm]	[mm]	[mm]
10,0 - 54,0	20	36
57,0 - 88,9	20	41
108,0 - 114,3	20	51
42,4 - 88,9	30	41
108,0 - 160,0	30	51
168,3 - 219,1	30	66
108,0 - 160,0	40	51
168,3 - 323,9	40	66
355,6 - 457,0	40	86

A thermal decoupled mounting of tubes guarantees a reliable prevention of condensate for refrigeration, air-conditioning and drinking water technologies in the sector pipe-clamping

### Materials

#### Polyurethane rigid foam (PU):

Density: 145 kg/m<sup>3</sup>  
 Static load: 0,38 N/mm<sup>2</sup>  
 (according to AGI Q 03 only 20 % of average nominal compressive strength)

Average nominal compressive strength: 1,9 N/mm<sup>2</sup>

Synthetic rubber (elastomer):  $\mu \geq 7000$

#### Bracket-system:

Pipe clamp  
 Material: steel  
 Material type: DD11 (Omnia MB),  
 DD11 / S235JRG2 (Maxima PSM)  
 S235JRG2 (Titan HD)  
 S235JR (Pipe clamp form A, type TGA)  
 Surface: galvanized  
 Coating: acrylic dispersion (vapour barrier)  
 $\mu \geq 36000$

### Technical data

Fire-performance: Building material class B2  
 (according to DIN 4102 D,E Euro-class)

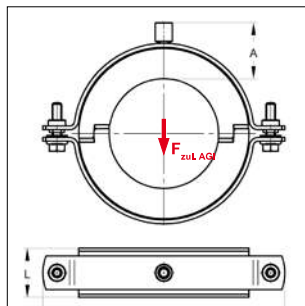
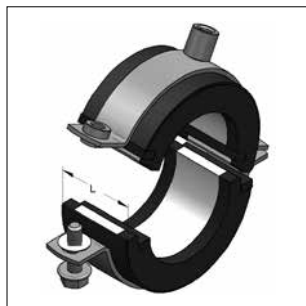
Temperature range: - 50 °C up to + 105 °C

#### Thermal conductivity according to DIN EN 12667

Thermal conductivity: 0,031 W/mk



## ■ Polar plus insulated pipe clamp



the insulated pipe clamps of MEFA special designed on customer request, no exchange or return.

customized demand on request!

\* Delivery time on request

Polar plus insulated pipe clamp  
(with clamp Maxima PSM)

### Insulation thickness 20 mm

Steel [mm]	OD		Pipe clamp type	Connection	Dimension		max. load $F_{max, AGI}^{**}$ [kN]	Weight [kg/pc.]	Packing [pcs.]	Part-No.
	Copper [mm]	Plastic [mm]			A [mm]	B [mm]				
17,2	10		Omnia MB	M8/M10	37	89	0,18	0,111	20	74620100
	12		Omnia MB	M8/M10	37	89	0,18	0,111	20	74620120
21,3	15		Omnia MB	M8/M10	37	89	0,18	0,111	20	74620150
	18		Omnia MB	M8/M10	38	92	0,21	0,118	20	74620170
26,9	22		Omnia MB	M8/M10	38	92	0,21	0,118	20	74620180
	28		Omnia MB	M8/M10	37	92	0,25	0,118	20	74620210
33,7	32*		Omnia MB	M8/M10	37	92	0,26	0,118	20	74620220
	35		Omnia MB	M8/M10	37	101	0,32	0,126	20	74620270
42,4	40*		Omnia MB	M8/M10	37	101	0,33	0,126	20	74620280
	48,3		Omnia MB	M8/M10	40	113	0,38	0,142	20	74620320
57,0	50*		Omnia MB	M8/M10	38	113	0,40	0,142	20	74620340
	60,3		Omnia MB	M8/M10	38	113	0,42	0,141	20	74620350
63,5	54		Omnia MB	M8/M10	40	117	0,48	0,153	20	74620400
	64		Omnia MB	M8/M10	38	117	0,51	0,152	20	74620430
76,1	75*		Omnia MB	M8/M10	39	124	0,58	0,164	20	74620480
	88,9		Omnia MB	M8/M10	39	124	0,60	0,163	20	74620500
108,0			Omnia MB	M8/M10	37	124	0,65	0,162	20	74620540
	114,3		Omnia MB	M8/M10	40	136	0,79	0,241	20	74620570
114,3			Omnia MB	M8/M10	38	136	0,84	0,239	15	74620600
			Omnia MB	M8/M10	39	143	0,89	0,250	15	74620640
114,3			Omnia MB	M8/M10	39	152	1,05	0,281	15	74620750
			Omnia MB	M8/M10	38	152	1,06	0,284	15	74620760
114,3			Omnia MB	M8/M10	39	165	1,24	0,295	15	74620890
			Maxima PSM	M10/M12	45	226	1,93	0,837	10	74621080
114,3			Maxima PSM	M10/M12	45	226	2,05	0,832	10	74621140

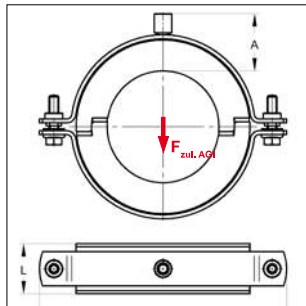
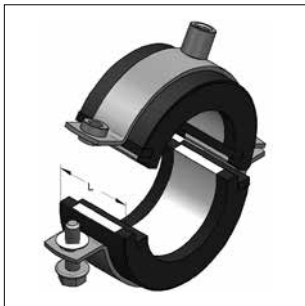
### Insulation thickness 30 mm

42,4*	54*	Omnia MB	M8/M10	48	136	0,59	0,249	20	74630430
		Omnia MB	M8/M10	48	143	0,67	0,262	20	74630480
48,3	54*	Omnia MB	M8/M10	51	152	0,70	0,281	20	74630500
		Omnia MB	M8/M10	49	152	0,75	0,280	20	74630540
57,0*	64*	Omnia MB	M8/M10	47	152	0,79	0,280	20	74630570
		Omnia MB	M8/M10	49	158	0,84	0,298	15	74630600
60,3	64*	Omnia MB	M8/M10	48	158	0,89	0,296	15	74630640
		Omnia MB	M8/M10	49	175	1,05	0,326	15	74630750
63,5*	75*	Omnia MB	M8/M10	48	175	1,06	0,326	15	74630760
		Omnia MB	M10/M12	59	206	1,24	0,459	15	74630890
76,1	110*	Maxima PSM	M10/M12	55	240	1,93	0,921	10	74631080
		Maxima PSM	M10/M12	54	240	1,97	0,918	10	74631100
88,9	110*	Maxima PSM	M10/M12	57	252	2,05	0,977	10	74631140
		Maxima PSM	M10/M12	55	258	2,24	0,992	1	74631250
108,0*	125*	Maxima PSM	M10/M12	55	265	2,38	1,028	1	74631330
		Maxima PSM	M10/M12	55	272	2,50	1,055	1	74631400
133,0*	160*	Maxima PSM	M10/M12	57	297	2,85	1,164	1	74631590
		Maxima PSM	M10/M12	57	297	2,87	1,162	1	74631600
139,7	160*	Maxima PSM	M10/M12	45	307	3,16	1,256	1	746316802
		Maxima PSM	M10/M12	45	307	3,16	1,256	1	746316802
159,0*		Titan HD	M16	45	358	5,23	2,382	1	746321902

assembly instruction see chapter 15

\*\* Allowable loads may be increased by 5 times without AGI requirements (max. load of clamps are to be considered, see chapter 1)

## ■ Polar plus insulated pipe clamp



the insulated pipe clamps of MEFA special designed on customer request, no exchange or return.

customized demand on request!

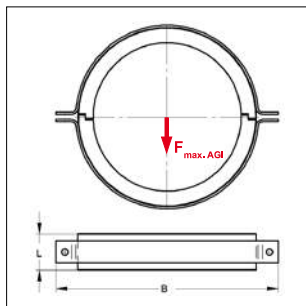
\* Delivery time on request

Polar plus insulated pipe clamp  
(with clamp Maxima PSM)

### Insulation thickness 40 mm

Steel [mm]	OD		Pipe clamp type	Connection	Dimension		max. load $F_{max,AGI}^{**}$ [kN]	Weight [kg/pc.]	Packing [pcs.]	Part-No.
	Copper [mm]	Plastic [mm]			A [mm]	B [mm]				
108,0*			Maxima PSM	M10/M12	67	265	1,93	1,059	10	74641080
		110*	Maxima PSM	M10/M12	66	265	1,97	1,056	10	74641100
114,3			Maxima PSM	M10/M12	64	265	2,05	1,055	10	74641140
		125*	Maxima PSM	M10/M12	66	278	2,24	1,117	1	74641250
133,0*			Maxima PSM	M10/M12	66	287	2,38	1,153	1	74641330
139,7			Maxima PSM	M10/M12	67	297	2,50	1,198	1	74641400
159,0*			Maxima PSM	M10/M12	67	315	2,85	1,277	1	74641590
		160*	Maxima PSM	M10/M12	66	315	2,87	1,275	1	74641600
168,3*			Titan HD	M16	56	330	4,02	2,225	1	746416802
219,1			Titan HD	M16	55	380	5,23	2,603	1	746421903
273,0			Titan HD	M16	56	428	6,52	3,025	1	746427302
323,9			Titan HD	M16	56	486	7,73	3,413	1	746432404

06



Polar plus insulated pipe clamp  
(with clamp form A, type TGA)

### Insulation thickness 40 mm

OD Steel [mm]	Pipe clamp type	Ø Flange punch hole [mm]	Connection	Dimension		max. load $F_{max,AGI}^{**}$ [kN]	Weight [kg/pc.]	Packing [pc.]	Part-No.
				L [mm]	B [mm]				
355,6*	TGA	17	-	86	560	9,91	5,000	1	74643560
406,4	TGA	17	-	86	610	11,32	5,516	1	74644060
457,0*	TGA	17	-	86	660	12,73	6,041	1	74644570

assembly instruction see chapter 15

\*\* Allowable loads may be increased by 5 times without AGI requirements (max. load of clamps are to be considered, see chapter 1)

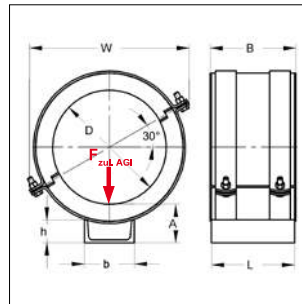
## ■ Polar plus sliding sledge U120 / U140



Polar plus sliding sledge 120



Polar plus sliding sledge 140



the insulated pipe clamps of MEFA are special designed on customer request, no exchange or return.

Delivery time and variant demand on request!

### Specification:

Application area: Load-bearing sliding sledge with welded U-profiles for direct sliding on substructure

### Technical data:

Material insulated pipe clamp: Polar plus insulated pipe clamp see page 6/2  
Material pipe bracket: steel / S235JR  
Surface: galvanized

### Insulation thickness 40 mm

OD Steel [mm]	Shell length B [mm]	Material pipe clamp	U-Steel b x h x L [mm]	Dimension		max. load $F_{\text{max, AGI}}$ [kN]	Weight [kg/pc.]	Packing [pc.]	Part-No.
				A [mm]	W [mm]				
219,1	181	50 x 5,0	120 x 55 x 175	90	336	8,90	7,80	1	74742219
273,0	206	50 x 5,0	120 x 55 x 200	93	384	10,50	9,19	1	74742273
323,9	226	50 x 5,0	140 x 60 x 220	96	427	12,00	11,05	1	74742324
355,6	226	60 x 6,0	140 x 60 x 220	98	498	15,60	15,39	1	74742356
406,4	226	60 x 6,0	140 x 60 x 220	99	538	17,40	16,55	1	74742406
457,0	226	60 x 6,0	140 x 60 x 220	99	585	19,20	17,72	1	74742457

❗ Sliding stripe see page 14/18

## HUSKY insulated pipe clamp



HUSKY insulated pipe clamp

- Consisting of pipe clamp, PU pipe shells with synthetic rubber interface and diffusion-tight jacket
- The Jacket is overlapping, self-adhesive and closable
- Joining surface of half shells sealed with synthetic rubber cushion at joints
- High water vapor diffusion resistance and low thermal conductivity
- Pipe clamp body situated outside of insulation
- Halogen free

### Application range

OD [mm]	Type	Shell length [mm]
6,0 - 42,4	Typ II-13	36
48,3 - 139,7	Typ II-13	42
160,0 - 168,3	Typ II-13	51
12,0 - 33,7	Typ IV-19	36
35,0 - 114,3	Typ IV-19	42
133,0 - 219,1	Typ IV-19	51
273,0 - 356,0	Typ IV-19	66
18,0 - 88,9	Typ VI-32	42
114,3 - 168,3	Typ VI-32	51
219,1 - 356,0	Typ VI-32	66

A thermal decoupled mounting of tubes guarantees a reliable prevention of condensate for refrigeration, air-conditioning and drinking water technologies in the sector pipe-clamping.

### Materials

#### Polyurethane rigid foam (PU):

Density: 120 kg/m<sup>3</sup>  
 Static load: 0,27 N/mm<sup>2</sup>  
 (according to AGI Q 03 only 20 %  
 of average nominal compressive strength)

Average nominal compressive strength: 1,35 N/mm<sup>2</sup>

Synthetic rubber:  $\mu \geq 7000$

#### Bracket-system:

pipe clamp  
 Material: steel  
 Material type: DC01-A/DD11 (Sigma)  
 DC01-A/DD11 (Trabant)  
 DD11/S235JRG2 (Maxima PSM)  
 S235JRG2 (Titan HD)  
 Surface: galvanized

Jacket: self-adhesive (vapour barrier)  
 $\mu \geq 20000$

### Technical data

Fire-performance: Building material class B2  
 (according to DIN 4102 D,E Euro-class)

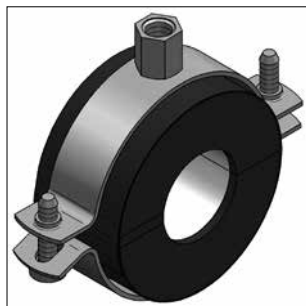
Temperature range: -45 °C up to + 105 °C

#### Thermal conductivity according to DIN EN 12667

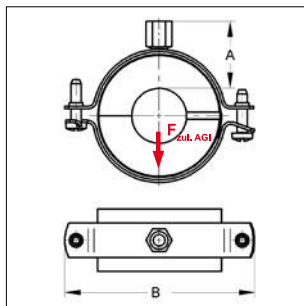
Thermal conductivity: 0,029 W/mk



## HUSKY insulated pipe clamp



HUSKY insulated pipe clamp



the insulated pipe clamps of MEFA  
special designed on customer request,  
no exchange or return.

customized demand on request!

\* Delivery time on request

 Assembly instruction see chapter 15

### Type II-13

Steel [mm]	OD		Insulation thickness [mm]	Pipe clamp type	Connection	Dimension		max. load $F_{zul,AGI}^{**}$ [kN]	Weight [kg/pc.]	Packing [pcs.]	Part-No.
	Copper [mm]	Plastic [mm]				A [mm]	B [mm]				
	6*		12,5	Sigma	M8	22	56	0,05	0,035	24	6830060
	10		12,5	Trabant	M8/M10	30	69	0,08	0,059	24	6830100
	12	12	13,5	Trabant	M8/M10	31	77	0,10	0,067	24	6830120
	15	15	13,0	Trabant	M8/M10	31	77	0,13	0,067	24	6830150
17,2	18	18	13,0	Trabant	M8/M10	31	77	0,15	0,068	24	6830180
		20*	14,0	Trabant	M8/M10	33	88	0,17	0,092	24	6830200
21,3	22		13,0	Trabant	M8/M10	32	88	0,19	0,091	24	6830220
		25*	13,0	Trabant	M8/M10	32	88	0,21	0,092	12	6830250
26,9			13,1	Trabant	M8/M10	32	88	0,23	0,093	12	6830270
	28		12,5	Trabant	M8/M10	32	88	0,24	0,093	12	6830280
31,8		32	13,0	Trabant	M8/M10	32	94	0,27	0,099	12	6830320
33,7*			14,2	Trabant	M8/M10	33	102	0,29	0,105	12	6830340
	35		13,5	Trabant	M8/M10	32	102	0,30	0,104	12	6830350
		40*	14,0	Trabant	M8/M10	33	109	0,34	0,111	12	6830400
42,4	42		13,8	Trabant	M8/M10	32	109	0,36	0,111	12	6830420
48,3			14,9	Trabant	M8/M10	33	121	0,48	0,143	10	6830480
		50	14,5	Trabant	M8/M10	33	121	0,49	0,143	10	6830500
	54*		14,5	Trabant	M8/M10	33	124	0,53	0,148	10	6830540
57,0			14,5	Trabant	M8/M10	33	124	0,56	0,149	10	6830570
60,3			16,9	Trabant	M8/M10	35	134	0,60	0,200	10	6830600
63,5	64		15,0	Trabant	M8/M10	34	134	0,63	0,198	10	6830640
70,0*			13,5	Trabant	M8/M10	32	134	0,69	0,197	8	6830700
76,1			16,0	Trabant	M8/M10	34	153	0,75	0,265	8	6830761
88,9			16,1	Trabant	M8/M10	35	165	0,86	0,281	8	6830891
108,0			17,5	Trabant	M10/M12	42	187	1,01	0,350	8	6831081
		110*	17,5	Trabant	M10/M12	42	187	1,02	0,351	4	6831101
114,3			16,4	Trabant	M10/M12	40	192	1,04	0,358	4	6831141
		125*	21,5	Trabant	M10/M12	45	215	1,17	0,410	4	6831251
133,0*			17,5	Trabant	M10/M12	42	215	1,19	0,401	4	6831331
139,7			17,7	Trabant	M10/M12	42	220	1,24	0,413	4	6831401
		160	16,5	Maxima PSM	M10/M12	42	265	1,91	0,993	4	6831600
168,3			15,9	Maxima PSM	M10/M12	41	272	1,98	1,015	2	6831680

### Type IV-19

	12*	12*	19,5	Trabant	M8/M10	38	88	0,10	0,094	24	6840120
	15	15	18,0	Trabant	M8/M10	37	88	0,13	0,094	24	6840150
17,2	18	18	19,0	Trabant	M8/M10	38	94	0,15	0,100	12	6840180
21,3	22		20,0	Trabant	M8/M10	39	102	0,19	0,107	12	6840220
26,9*			20,6	Trabant	M8/M10	39	109	0,23	0,114	12	6840270
	28		20,0	Trabant	M8/M10	39	109	0,24	0,114	12	6840280
31,8*		32*	19,5	Trabant	M8/M10	38	109	0,27	0,115	12	6840320
33,7*			19,7	Trabant	M8/M10	38	109	0,29	0,116	12	6840340
	35		21,0	Trabant	M8/M10	40	121	0,35	0,148	12	6840350
		40*	21,0	Trabant	M8/M10	40	124	0,40	0,153	12	6840400
42,4	42		21,8	Trabant	M8/M10	40	124	0,42	0,156	12	6840420
48,3			23,4	Trabant	M8/M10	42	134	0,48	0,207	10	6840480
		50*	22,5	Trabant	M8/M10	41	134	0,49	0,206	10	6840500
	54		21,5	Trabant	M8/M10	40	134	0,53	0,206	10	6840540
57,0*			25,5	Trabant	M8/M10	42	153	0,56	0,278	8	6840571
60,3			23,9	Trabant	M8/M10	42	153	0,60	0,275	8	6840601

\*\* Allowable loads may be increased by 5 times without AGI requirements (max. load of clamps are to be considered, see chapter 1)

**Type IV-19**

Steel [mm]	OD		Insulation thickness [mm]	Pipe clamp type	Connection	Dimension		max. load F <sub>zul, AGI</sub> ** [kN]	Weight [kg/pc.]	Packing [pcs.]	Part-No.
	Copper [mm]	Plastic [mm]				A [mm]	B [mm]				
63,5	64		23,0	Trabant	M8/M10	44	153	0,63	0,275	8	6840641
70,0*			23,5	Trabant	M8/M10	43	165	0,69	0,290	8	6840701
76,1			23,5	Trabant	M8/M10	42	165	0,75	0,293	8	6840761
88,9			26,6	Trabant	M10/M12	43	187	0,88	0,365	8	6840891
108,0			29,0	Trabant	M10/M12	53	215	1,07	0,424	4	6841081
		110*	28,0	Trabant	M10/M12	52	215	1,09	0,423	4	6841101
114,3			25,9	Trabant	M10/M12	50	215	1,13	0,418	4	6841141
133,0*			29,0	Maxima PSM	M10/M12	54	265	1,69	1,030	4	6841330
139,7			25,7	Maxima PSM	M10/M12	51	265	1,78	1,021	4	6841400
		160	26,0	Maxima PSM	M10/M12	51	287	2,04	1,110	2	6841600
168,3			26,4	Maxima PSM	M10/M12	51	297	2,14	1,149	2	6841680
219,1			26,0	Maxima PSM	M10/M12	51	346	2,68	1,358	1	6842190
273,0			25,5	Titan HD	M16	42	402	4,58	2,679	1	68427304
323,9*			26,6	Titan HD	M16	43	457	5,33	3,069	1	68432404
355,6*			25,0	Titan HD	M16	41	486	5,74	3,264	1	68435604

**Type VI-32**

17,2*	18*	18*	30,0	Trabant	M8/M10	49	121	0,18	0,152	12	6850180
21,3*	22*		30,0	Trabant	M8/M10	49	121	0,22	0,155	12	6850220
26,9*			29,6	Trabant	M8/M10	48	124	0,27	0,158	12	6850270
33,7*			31,7	Trabant	M8/M10	50	134	0,33	0,215	12	6850340
42,4*			36,3	Trabant	M8/M10	56	165	0,42	0,301	12	6850420
48,3*			36,4	Trabant	M8/M10	56	165	0,48	0,306	10	6850480
60,3*			34,9	Trabant	M10/M12	57	176	0,60	0,352	8	6850601
76,1*			36,5	Trabant	M10/M12	62	192	0,75	0,391	8	6850761
88,9*			40,1	Trabant	M10/M12	64	215	0,88	0,444	8	6850891
114,3*			41,4	Maxima PSM	M10/M12	67	272	1,45	1,089	4	6851140
139,7*			42,2	Maxima PSM	M10/M12	67	297	1,78	1,202	4	6851400
168,3*			44,9	Maxima PSM	M10/M12	70	331	2,14	1,364	2	6851680
219,1*			52,5	Titan HD	M16	68	402	3,72	2,855	1	68521904
273,0*			53,5	Titan HD	M16	70	460	4,63	3,303	1	68527304
323,9*			50,6	Titan HD	M16	67	505	5,49	3,636	1	68532404
355,6*			50,5	Titan HD	M16	67	537	6,04	3,885	1	68535604

\*\* Allowable loads may be increased by 5 times without AGI requirements (max. load of clamps are to be considered, see chapter 1)



## ■ ALU/PU >80< insulated pipe clamp



ALU/PU >80< insulated pipe clamp

The ALU/PU>80< insulated pipe clamp is a mounting unit, consisting of ALU/PU-compound shell and two-part pipe clamp. After mounting, all pieces are connected. This system is characterized by a high steam diffusion resistance as well as low thermal conductivity, proper mounting provided. Further dimensions for OD or insulation thickness on request. Halogen free.

### Application range

OD [mm]	Insulation thickness [mm]	Shell length [mm]	Specification
15,0 - 273,0	20	100	ALU/PU-compound shell completely covered by aluminium foil, overlapping with self-adhesive strip
17,2 - 355,6	30	100	
17,2 - 355,6	40	100	A thermal decoupled mounting of tubes guarantees a reliable prevention of condensate for refrigeration, air-conditioning and drinking water technologies in the sector pipe-clamping
17,2 - 355,6	50	100	

### Materials

<b>Aluminium (ALU)-foil coat:</b>	vapour barrier	<b>Bracket-system:</b>	pipe clamp
Density:	2700 kg/m <sup>3</sup>	Material:	steel
Thickness:	0,08 mm	Material type:	S235JR
		Surface:	galvanized
<b>Polyurethane (PU) rigid foam:</b>	insulating insert		
Density:	80 kg/m <sup>3</sup>		
Static load:	0,1 N/mm <sup>2</sup>		
	(according to AGI Q 03 at least 20 % of average nominal compressive strength)		
Average nominal compressive strength:	0,5 N/mm <sup>2</sup>		

### Technical data

#### Steam diffusion resistance number

$\mu = 18.750$  average value

(vapour leak-proof according to DIN 4108)

#### Fire-performance:

Building class B2 according to DIN 4102 D,E euro-class)



#### Temperature range:

- 50 °C up to + 120 °C

#### Thermal conductivity according to DIN 52612

Average Temperature:

21 °C

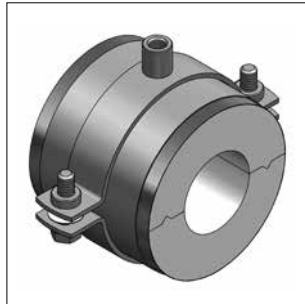
Thermal conductivity:

0,025 W/mk

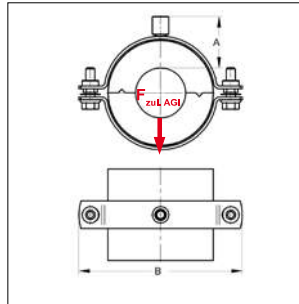
## ■ ALU/PU >80< insulated pipe clamp



ALU/PU >80< insulated pipe clamp



ALU/PU >80< insulated pipe clamp  
with sheet jacket



Delivery time:  
5 working days, ex works  
(no exchange or return)

<sup>1)</sup> At shell length 100 mm:  
sheet jacket width 80 mm

### Insulation thickness 20 mm shell length 100 mm<sup>1)</sup>

Steel [mm]	Material Copper [mm]	Connection pipe clamp [mm]	Dimension		max. load		Weight without sheet jacket [kg/pc.]	Packing [pc.]	Part-No. Ins. pipe clamp without sheet jacket	Part-No. Ins. pipe clamp with sheet jacket <sup>1)</sup>	
			A	B	without sheet jacket F <sub>max,AGI</sub> ** [kN]	with sheet jacket [kN]					
	15	25x3,0	M8/M10	46	114	0,2	0,3	0,261	1	75601545	75601545/B
17,2	18	25x3,0	M8/M10	45	114	0,2	0,3	0,261	1	7560172	75601745/B
21,3	22	25x3,0	M8/M10	46	120	0,2	0,3	0,275	1	75602145	75602145/B
26,9	28	25x3,0	M8/M10	46	129	0,3	0,4	0,292	1	7560275	75602745/B
33,7	35	25x3,0	M8/M10	44	129	0,3	0,5	0,292	1	75603445	75603445/B
42,4	42	30x3,0	M10/M12	46	151	0,4	0,6	0,424	1	7560426	7560426/B
48,3		30x3,0	M10/M12	44	151	0,4	0,7	0,423	1	7560486	7560486/B
	54	30x3,0	M10/M12	46	162	0,4	0,7	0,458	1	75605432	7560543/B
57,0		30x3,0	M10/M12	45	162	0,4	0,8	0,456	1	75605742	75605742/B
60,3		30x3,0	M10/M12	44	162	0,4	0,9	0,456	1	7560606	7560606/B
63,5		30x3,0	M10/M12	46	172	0,5	0,9	0,486	1	75606442	75606442/B
70,0		30x3,0	M10/M12	44	172	0,5	1,0	0,484	1	75607042	75607042/B
76,1		30x3,0	M10/M12	47	184	0,5	1,1	0,527	1	7560766	75607642/B
88,9		35x4,0	M10/M12	47	209	0,7	1,3	0,770	1	7560896	7560896/B
108,0		35x4,0	M10/M12	46	226	0,8	1,6	0,837	1	75610844	75610844/B
114,3		35x4,0	M10/M12	47	234	0,8	1,7	0,871	1	75611444	75611444/B
133,0		35x4,0	M10/M12	47	252	0,9	1,9	0,950	1	75613344	75613344/B
139,7		35x4,0	M10/M12	45	252	0,9	2,0	0,940	1	75614044	75614044/B
159,0		35x4,0	M10/M12	47	278	1,0	2,3	1,056	1	75615944	75615944/B
168,3		35x4,0	M10/M12	46	287	1,1	2,5	1,086	1	75616844	75616844/B
219,1		50x5,0	M16	46	342	1,9	3,1	2,181	1	7562197	7562197/B
273,0		50x5,0	M16	45	396	2,3	3,7	2,553	1	7562733	7562733/B

### Insulation thickness 30 mm shell length 100 mm<sup>1)</sup>

17,2	18	30x3,0	M10/M12	55	141	0,3	0,3	0,410	1	7590182	7590182/B
21,3	22	30x3,0	M10/M12	56	151	0,3	0,3	0,433	1	75902142	75902142/B
26,9	28	30x3,0	M10/M12	55	151	0,4	0,4	0,433	1	75902742	75902742/B
33,7	35	30x3,0	M10/M12	56	162	0,4	0,5	0,469	1	75903442	75903442/B
42,4	42	30x3,0	M10/M12	57	172	0,5	0,6	0,500	1	75904242	75904242/B
48,3		30x3,0	M10/M12	55	172	0,5	0,7	0,499	1	75904842	75904842/B
	54	30x3,0	M10/M12	55	178	0,5	0,7	0,516	1	75905442	75905442/B
57,0		30x3,0	M10/M12	54	178	0,5	0,8	0,515	1	75905742	75905742/B
60,3		30x3,0	M10/M12	55	184	0,5	0,9	0,535	1	75906042	75906042/B
63,5		30x3,0	M10/M12	56	189	0,6	0,9	0,550	1	75906442	75906442/B
70,0		35x4,0	M10/M12	57	209	0,7	1,0	0,792	1	75907042	75907042/B
76,1		35x4,0	M10/M12	57	216	0,7	1,1	0,812	1	75907644	75907644/B
88,9		35x4,0	M10/M12	56	226	0,8	1,3	0,870	1	75908944	75908944/B
108,0		35x4,0	M10/M12	57	247	0,9	1,6	0,963	1	75910844	75910844/B
114,3		35x4,0	M10/M12	57	252	0,9	1,7	0,995	1	75911444	75911444/B
133,0		35x4,0	M10/M12	57	272	1,0	1,9	1,064	1	75913344	75913344/B
139,7		35x4,0	M10/M12	57	278	1,0	2,0	1,104	1	75914044	75914044/B
159,0		35x4,0	M10/M12	56	297	1,1	2,3	1,164	1	75915912	75915944/B
168,3		35x4,0	M10/M12	57	308	1,2	2,5	1,231	1	75916844	75916844/B
219,1		50x5,0	M16	55	364	2,1	3,2	2,357	1	7592193	7592193/B
273,0		50x5,0	M16	55	416	2,5	3,9	2,719	1	7592733	7592733/B
323,9		50x5,0	M16	55	467	2,8	4,5	3,086	1	7593243	7593243/B
355,6		50x5,0	M16	55	495	3,1	4,9	3,423	1	7593563	7593563/B

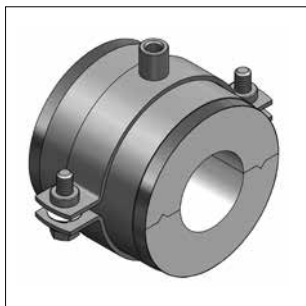
assembly instruction see chapter 15

\*\* Allowable loads may be increased by 5 times without AGI requirements (max. load of clamps are to be considered, see chapter 1)

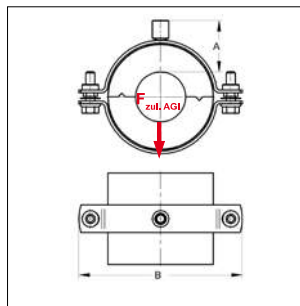
## ■ ALU/PU >80< insulated pipe clamp



ALU/PU >80< insulated pipe clamp



ALU/PU >80< insulated pipe clamp with sheet jacket



Delivery time:  
5 working days, ex works  
(no exchange or return)

<sup>1)</sup> At shell length 100 mm:  
sheet jacket width 80 mm

### Insulation thickness 40 mm shell length 100 mm<sup>1)</sup>

Steel	OD	Material	Connection	Dimension		max. load		Weight	Packing	Part-No.	Part-No.	
				A	B	without sheet jacket	with sheet jacket					Ins. pipe clamp without sheet jacket
[mm]	[mm]	[mm]		[mm]	[mm]	[kN]	[kN]	[kg/pc.]	[pc.]			
	17,2	18	30x3,0	M10/M12	65	162	0,3	0,3	0,472	1	76201742	76201742/B
	21,3	22	30x3,0	M10/M12	67	172	0,3	0,3	0,503	1	76202142	76202142/B
	26,9	28	30x3,0	M10/M12	65	172	0,4	0,4	0,502	1	76202742	76202742/B
	33,7	35	30x3,0	M10/M12	65	178	0,5	0,5	0,528	1	7620348	76203442/B
	42,4	42	30x3,0	M10/M12	64	184	0,5	0,6	0,547	1	7620428	7620428/B
	48,3		35x4,0	M10/M12	66	209	0,7	0,7	0,807	1	7620488	76204842/B
		54	35x4,0	M10/M12	66	209	0,7	0,7	0,807	1	7620548	76205444/B
	57,0		35x4,0	M10/M12	67	216	0,7	0,8	0,828	1	76205744	76205744/B
	60,3		35x4,0	M10/M12	66	216	0,7	0,9	0,829	1	76206044	7620608/B
	63,5		35x4,0	M10/M12	67	220	0,7	0,9	0,875	1	76206444	76206444/B
	70,0		35x4,0	M10/M12	66	226	0,8	1,0	0,888	1	7620708	76207044/B
	76,1		35x4,0	M10/M12	66	234	0,8	1,1	0,926	1	76207644	7620768/B
	88,9		35x4,0	M10/M12	66	247	0,9	1,3	0,987	1	7620898	76208944/B
	108,0		35x4,0	M10/M12	67	265	1,0	1,6	1,066	1	76210844	76210844/B
	114,3		35x4,0	M10/M12	66	272	1,0	1,7	1,094	1	7621148	76211444/B
	133,0		35x4,0	M10/M12	65	287	1,1	1,9	1,158	1	76213344	76213344/B
	139,7		35x4,0	M10/M12	66	297	1,1	2,0	1,202	1	7621408	7621408/B
	159,0		35x4,0	M10/M12	65	315	1,2	2,3	1,287	1	76215944	76215944/B
	168,3		35x4,0	M10/M12	68	331	1,3	2,5	1,380	1	7621688	7621688/B
	219,1		50x5,0	M16	65	382	2,2	3,2	2,554	1	7622196	7622196/B
	273,0		50x5,0	M16	65	436	2,6	4,0	2,936	1	7622736	7622736/B
	323,9		50x5,0	M16	65	486	3,0	4,7	3,297	1	7623247	7623247/B
	355,6		50x5,0	M16	65	519	3,2	5,1	3,527	1	7623565	7623565/B

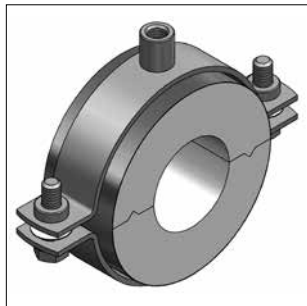
### Insulation thickness 50 mm shell length 100 mm<sup>1)</sup>

	17,2	18	30x3,0	M10/M12	76	184	0,3	0,3	0,556	1	76501742	76501742/B
	21,3	22	30x3,0	M10/M12	75	184	0,3	0,3	0,556	1	76502142	76502142/B
	26,9	28	30x3,0	M10/M12	74	189	0,4	0,4	0,572	1	76502742	76502742/B
	33,7	35	35x4,0	M10/M12	76	209	0,5	0,5	0,819	1	76503444	76503444/B
	42,4	42	35x4,0	M10/M12	75	216	0,6	0,6	0,840	1	76504244	76504244/B
	48,3		35x4,0	M10/M12	76	226	0,7	0,7	0,904	1	76504844	76504844/B
		54	35x4,0	M10/M12	75	234	0,7	0,7	0,944	1	76505444	76505444/B
	57,0		35x4,0	M10/M12	76	234	0,8	0,8	0,942	1	76505744	76505744/B
	60,3		35x4,0	M10/M12	75	234	0,8	0,9	0,942	1	76506044	76506044/B
	63,5		35x4,0	M10/M12	76	240	0,8	0,9	0,973	1	76506444	76506444/B
	70,0		35x4,0	M10/M12	76	247	0,9	1,0	1,006	1	76507044	76507044/B
	76,1		35x4,0	M10/M12	76	252	0,9	1,1	1,042	1	76507644	76507644/B
	88,9		35x4,0	M10/M12	76	265	1,0	1,3	1,090	1	76508944	76508944/B
	108,0		35x4,0	M10/M12	77	297	1,1	1,6	1,193	1	76510844	76510844/B
	114,3		35x4,0	M10/M12	78	297	1,1	1,7	1,240	1	7651146	76511444/B
	133,0		35x4,0	M10/M12	75	308	1,2	1,9	1,300	1	76513344	76513344/B
	139,7		35x4,0	M10/M12	75	315	1,2	2,0	1,333	1	76514044	76514044/B
	159,0		35x4,0	M10/M12	77	340	1,3	2,3	1,440	1	76515944	76515944/B
	168,3		35x4,0	M10/M12	76	346	1,4	2,5	1,467	1	76516844	76516844/B
	219,1		50x5,0	M16	75	404	2,4	3,2	2,777	1	7652195	7652195/B
	273,0		50x5,0	M16	75	456	2,8	4,0	3,152	1	7652734	7652734/B
	323,9		50x5,0	M16	75	507	3,1	4,7	3,526	1	7653245	7653245/B
	355,6		50x5,0	M16	75	539	3,4	5,2	3,764	1	7653567	7653567/B

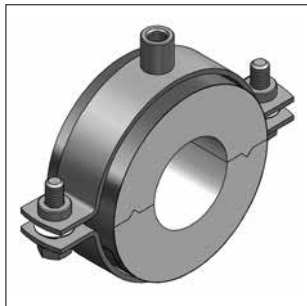
assembly instruction see chapter 15

\*\* Allowable loads may be increased by 5 times without AGI requirements (max. load of clamps are to be considered, see chapter 1)

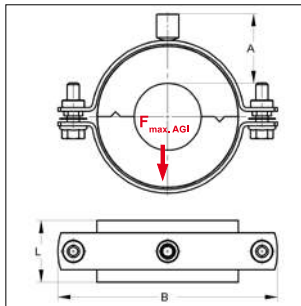
## ALU/PU >80< short insulated pipe clamp



ALU/PU >80< s insulated pipe clamp



ALU/PU >80< s insulated pipe clamp with half jacket



Delivery time:  
5 working days, ex works  
(no exchange or return)

<sup>1)</sup> At shell length 100 mm:  
sheet jacket width 80 mm

### Insulation thickness 20 mm

OD Steel [mm]	Material Copper [mm]	Connection pipe clamp [mm]	Dimension			max. load		Weight without half jacket [kg/pc.]	Packing [pc.]	Part-No. Ins. pipe clamp without half jacket	Part-No. Ins. pipe clamp with half jacket	
			A	L	B	$F_{max, AGI}^{**}$ without sheet jacket [kN]	$F_{max, AGI}^{**}$ with sheet jacket [kN]					
17,2	18	20x1,5	M8/M10	38	40	104	0,1	-	0,081	1	70401848	-
21,3	22	20x1,5	M8/M10	40	40	111	0,1	-	0,094	1	70402248	-
26,9	28	20x1,5	M8/M10	40	40	119	0,2	-	0,099	1	70402848	-
33,7	35	20x2,0	M8/M10	39	40	113	0,2	-	0,125	1	70403449	-
42,4	42	25x1,5	M8/M10	39	40	128	0,2	-	0,133	1	70404248	-
48,3		20x2,0	M8/M10	39	50	124	0,3	-	0,141	1	70504849	-
54,0		25x2,0	M8/M10	43	50	141	0,3	-	0,189	1	70505448	-
57,0		25x2,0	M8/M10	38	50	141	0,4	-	0,189	1	70505748	-
60,3		25x2,5	M8/M10	39	50	136	0,4	-	0,235	1	70506049	-
63,5		25x2,5	M8/M10	41	50	143	0,4	-	0,240	1	70506449	-
70,0		25x2,5	M8/M10	39	66	152	0,4	0,7	0,254	1	70607049	70607049/T
76,1		25x2,5	M8/M10	42	66	158	0,4	0,7	0,278	1	70607649	70607649/T
88,9		25x2,5	M8/M10	42	83	175	0,5	1,1	0,316	1	75208949	75208949/T
108,0		25x3,0	M10/M12	45	83	197	0,5	1,3	0,493	1	75210850	75210850/T
114,3		30x3,0	M10/M12	46	83	234	0,7	1,4	0,574	1	75211442	75211442/T
133,0		25x3,0	M10/M12	46	100	225	0,7	1,9	0,554	1	75613350	75613350/T
139,7		30x3,0	M10/M12	45	100	252	0,8	2,0	0,665	1	75614042	75614042/T
159,0		30x3,0	M10/M12	46	100	278	0,9	2,3	0,735	1	75615942	75615942/T
168,3		30x3,0	M10/M12	45	100	288	1,1	2,5	1,070	1	75616842	75616842/T
219,1		35x4,0	M16	45	100	340	1,9	3,1	1,317	1	75621927	75621927/T

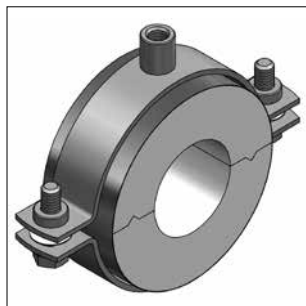
### Insulation thickness 30 mm

17,2	18	25x1,5	M8/M10	48	40	123	0,1	-	0,131	1	71101848	-
21,3	22	25x1,5	M8/M10	49	40	128	0,1	-	0,139	1	71102248	-
26,9	28	20x2,0	M8/M10	49	40	124	0,2	-	0,157	1	71102849	-
33,7	35	25x2,0	M8/M10	50	40	141	0,2	-	0,189	1	71103448	-
42,4	42	25x2,5	M8/M10	52	40	143	0,2	-	0,236	1	71104249	-
48,3		25x2,5	M8/M10	50	50	152	0,4	-	0,255	1	71204849	-
54,0		25x2,5	M8/M10	49	50	152	0,4	-	0,264	1	71205449	-
57,0		25x2,5	M8/M10	49	50	152	0,4	-	0,265	1	71205749	-
60,3		25x2,5	M8/M10	50	50	158	0,4	-	0,278	1	71206049	-
63,5		25x2,5	M8/M10	51	50	158	0,5	-	0,279	1	71206449	-
70,0		25x2,5	M8/M10	51	66	165	0,5	0,7	0,302	1	71307049	71307049/T
76,1		25x2,5	M8/M10	51	66	175	0,5	0,7	0,317	1	71307649	71307649/T
88,9		25x3,0	M10/M12	55	83	197	0,5	1,1	0,513	1	75308950	75308950/T
108,0		25x3,0	M10/M12	56	83	219	0,6	1,3	0,580	1	75310850	75310850/T
114,3		25x3,0	M10/M12	56	83	225	0,7	1,4	0,584	1	75311450	75311450/T
133,0		30x3,0	M10/M12	56	100	272	0,9	1,9	0,748	1	75913342	75913342/T
139,7		30x3,0	M10/M12	56	100	278	0,9	2,0	0,763	1	75914042	75914042/T
159,0		30x3,0	M10/M12	55	100	297	1,0	2,3	0,820	1	75915942	75915942/T
168,3		35x4,0	M10/M12	57	100	308	1,2	2,5	1,200	1	75916844	75916844/T
219,1		35x4,0	M16	55	100	360	2,1	3,2	1,440	1	75921927	75921927/T

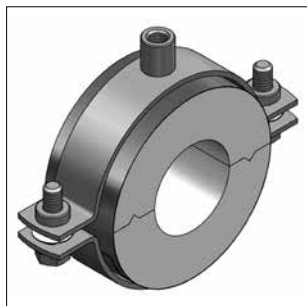
assembly instruction see chapter 15

\*\* Allowable loads may be increased by 5 times without AGI requirements (max. load of clamps are to be considered, see chapter 1)

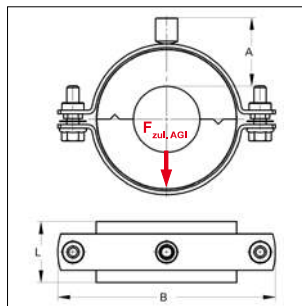
## ■ ALU/PU >80< short insulated pipe clamp



ALU/PU >80< s insulated pipe clamp



ALU/PU >80< s insulated pipe clamp with half jacket



Delivery time:  
5 working days, ex works  
(no exchange or return)

<sup>1)</sup> At shell length 100 mm:  
sheet jacket width 80 mm

### Insulation thickness 40 mm

Steel	OD	Material	Connection	Dimension			max. load		Weight	Packing	Part-No.	Part-No.	
				A	L	B	without sheet jacket	with sheet jacket					without half jacket
[mm]	[mm]	[mm]		[mm]	[mm]	[mm]	[kN]	[kN]	[kg/pc.]	[pc.]			
	17,2	18	25x2,0	M8/M10	58	40	141	0,1	-	0,195	1	71401848	-
	21,3	22	25x2,5	M8/M10	62	40	143	0,1	-	0,242	1	71402249	-
	26,9	28	25x2,5	M8/M10	60	40	152	0,2	-	0,253	1	71402849	-
	33,7	35	25x2,5	M8/M10	60	40	152	0,2	-	0,262	1	71403449	-
	42,4	42	25x2,5	M8/M10	59	40	158	0,2	-	0,277	1	71404249	-
	48,3		25x2,5	M8/M10	62	50	165	0,4	-	0,294	1	71504849	-
	54,0		25x2,5	M8/M10	61	50	175	0,4	-	0,311	1	71505449	-
	57,0		25x2,5	M8/M10	61	50	175	0,4	-	0,311	1	71505749	-
	60,3		30x3,0	M10/M12	65	50	203	0,4	-	0,547	1	71506042	-
	63,5		25x3,0	M10/M12	66	50	192	0,5	-	0,464	1	71506450	-
	70,0		25x3,0	M10/M12	65	66	197	0,5	0,7	0,494	1	71607050	71607050/T
	76,1		30x3,0	M10/M12	65	66	219	0,6	0,7	0,614	1	71607642	71607642/T
	88,9		25x3,0	M10/M12	65	83	219	0,6	1,1	0,599	1	75408950	75408950/T
	108,0		30x3,0	M10/M12	65	83	265	0,8	1,3	0,738	1	75410842	75410842/T
	114,3		30x3,0	M10/M12	65	83	271	0,9	1,4	0,746	1	75411442	75411442/T
	133,0		30x3,0	M10/M12	64	100	288	1,1	1,9	0,882	1	76213342	76213342/T
	139,7		30x3,0	M10/M12	65	100	297	1,1	2,0	0,896	1	76214042	76214042/T
	159,0		35x4,0	M10/M12	65	100	315	1,2	2,3	1,300	1	76215944	76215944/T
	168,3		35x4,0	M10/M12	68	100	323	1,3	2,5	1,310	1	76216888	76216888/T
	219,1		35x4,0	M16	65	100	380	2,2	3,2	1,631	1	7622195	7622195/T

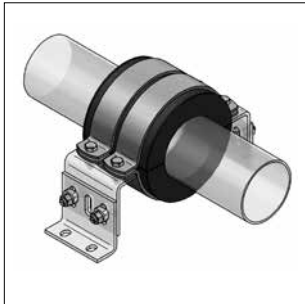
### Insulation thickness 50 mm

	17,2	18	25x2,5	M8/M10	71	40	158	0,1	-	0,278	1	71701849	-
	21,3	22	25x2,5	M8/M10	70	40	158	0,1	-	0,281	1	71702249	-
	26,9	28	25x2,5	M8/M10	69	40	165	0,2	-	0,292	1	71702849	-
	33,7	35	25x2,5	M8/M10	70	40	175	0,2	-	0,306	1	71703449	-
	42,4	42	25x3,0	M10/M12	74	40	192	0,2	-	0,460	1	71704250	-
	48,3		25x3,0	M10/M12	75	50	197	0,4	-	0,484	1	71804850	-
	54,0		30x3,0	M10/M12	75	50	234	0,4	-	0,596	1	71805442	-
	57,0		30x3,0	M10/M12	75	50	220	0,4	-	0,600	1	71805742	-
	60,3		30x3,0	M10/M12	74	50	223	0,4	-	0,610	1	71806042	-
	63,5		30x3,0	M10/M12	75	50	226	0,5	-	0,627	1	71806442	-
	70,0		25x3,0	M10/M12	75	66	219	0,6	0,7	0,527	1	71907050	71907050/T
	76,1		25x3,0	M10/M12	75	66	225	0,6	0,7	0,581	1	71907650	71907650/T
	88,9		30x3,0	M10/M12	75	83	252	0,8	1,1	0,750	1	75508942	75508942/T
	108,0		30x3,0	M10/M12	76	83	272	0,9	1,3	0,818	1	75510842	75510842/T
	114,3		30x3,0	M10/M12	77	83	290	1,0	1,4	0,838	1	75511442	75511442/T
	133,0		35x4,0	M10/M12	75	100	308	1,2	1,9	1,280	1	76513344	76513344/T
	139,7		35x4,0	M10/M12	75	100	323	1,2	2,0	1,340	1	76514044	76514044/T
	159,0		35x4,0	M10/M12	77	100	332	1,3	2,3	1,420	1	76515944	76515944/T
	168,3		35x4,0	M10/M12	76	100	342	1,4	2,5	1,460	1	76516844	76516844/T
	219,1		35x4,0	M16	77	100	400	2,4	3,2	1,745	1	76521927	76521927/T

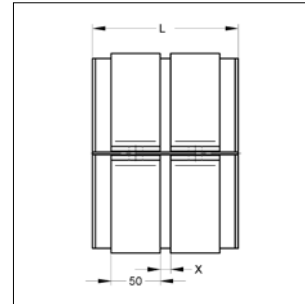
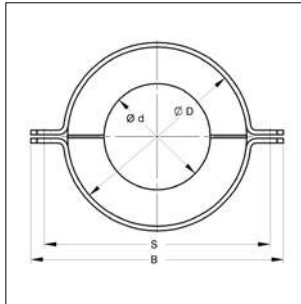
assembly instruction see chapter 15

\*\* Allowable loads may be increased by 5 times without AGI requirements (max. load of clamps are to be considered, see chapter 1)

## ■ Insulated fixpoint



Insulated fixpoint mounted with fixpoint bracket HV1



### Specification:

Application area: Insulated fixpoint mounting of chilled water pipes of steel

Characteristic: Can be mounted to any substructures (C-profile rails, CENTUM®, steel girder). Height adjustable in combination with Fixpoint brackets HV. High water vapor diffusion resistance and low thermal conductivity. Acc. AGI requirements

### Technical data:

Insulating material: PUR (with natural rubber on the face)

Density: 200 kg/m<sup>3</sup>  
Thermal conductivity: 0,037 W/mK  
Temperature range: -50 °C up to +105 °C

Inner / outer split ring Material: steel  
Surface: raw / galvanized

For detailed information about Insulated fixpoint see chapter 3a

06

## ■ Foamglas® insulated pipe clamp



Foamglas® insulated pipe clamp with sheet jacket

Delivery time on request

Due to high risk of breakage during shipment of Foamglas® insulated pipe clamps, suitable packing is mandatory. A handling fee of 60 € will apply.

When ordering, please consider the following:  
Quantity and length of shells must be devisible through 600 mm (max. shell length).

No exchange or return.



### Specification:

Application area: A thermal decoupled mounting of tubes guarantees a reliable prevention of condensate for refrigeration, air-conditioning and drinking water technologies in the sector pipe clamping. Recommended for horizontales pipeline laying.

Remark: Insulated clamps Foamglas will be delivered always with half jacket (not overlapping)

Scope of supply: Insulation thickness: 30 - 50 mm  
Pipe diameter: 21,3 - 610,0 mm  
Variant demand on request.

Characteristic: Acc. AGI requirements

**Needed accessory:** Single-package bitumen system PC® 18  
Part-No.: 5919001  
Temperature range: -30°C - +80°C  
Water vapor diffusion:  $\mu = 50000$   
Color: black

### Technical data:

Identification: Foamglas® shell  
Compounding: aluminium-silicate-glass, inorganic, without binding material  
Deformation resistance: dimension-stable, no swelling, no shrinking, no distortion and no dishing  
Fire-performance: noncombustible acc. DIN 4102, T1, reaction to fire classification A1, Euro class A  
Temperature range: -260°C - +430°C  
Steam diffusion resistance number: vapour leak-proof according DIN 52615  
Thermal conductivity: 0,041 W/mK  
Density: 120 kg/m<sup>3</sup>  
Maximum pressure load: 0,7 N/mm<sup>2</sup>