

MEFA Pipe clamps



Ø 12 - 60 mm
Pipe clamp Sigma
Page 1/2



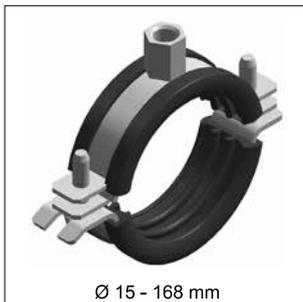
Ø 12 - 169 mm
Pipe clamp Talis
Page 1/3



Ø 12 - 168 mm
Pipe clamp Trabant, lined
Page 1/4



Ø 21 - 122 mm
Pipe clamp Trabant, unlined
Page 1/5



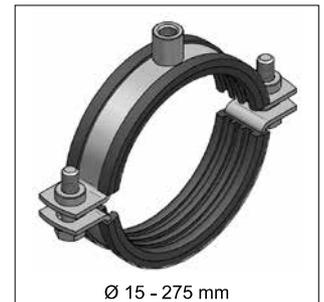
Ø 15 - 168 mm
Pipe clamp Omnia MB
Page 1/6



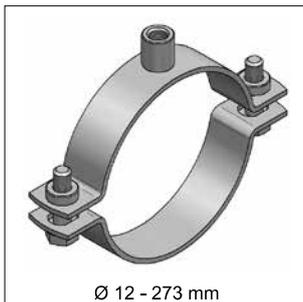
Ø 12 - 46 mm
Sliding pipe clamp Sigma
Page 1/8



Ø 50 - 116 mm
Sliding pipe clamp Omnia MB
Page 1/9



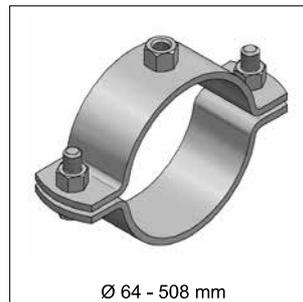
Ø 15 - 275 mm
Pipe clamp
Maxima PSM, lined
Page 1/10



Ø 12 - 273 mm
Pipe clamp
Maxima PSM, unlined
Page 1/12



Ø 64 - 508 mm
Pipe clamp Titan HD,
lined
Page 1/14



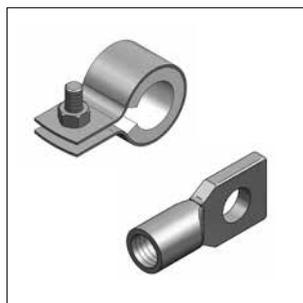
Ø 64 - 508 mm
Pipe clamp Titan HD, unlined
Page 1/18



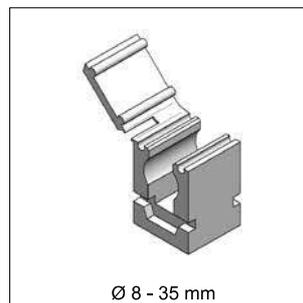
Ø 21 - 324 mm
U-bolt
Page 1/21



Ø 10 - 42 mm
Pipe clamp Clipstar, lined
Page 1/22



Visible pipe clamp, lined
Page 1/23



Ø 8 - 35 mm
Pipe clip Clipmaster
Page 1/24



Connection adaptor /
Sound insulation lining
Page 1/25; 1/26

i Pipe clamps suitable for :

Insulated pipe clamps	see chapter 6
Ventilation	see chapter 8
Sprinkler	see chapter 12
Stainless steel	see chapter 13
Plant construction	see chapter 14

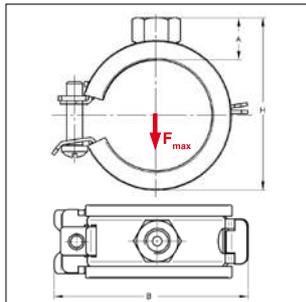
i Tightening torque of locking screws on pipe clamps see chapter 15.

■ Pipe clamp Sigma, lined

01



Pipe clamp Sigma



Specification

Closure:	safety quick-closure
Construction method:	one-part
OD:	12 up to 60 mm
Connection:	M8
Sound insulation:	according to DIN 4109

Technical data:

Material:	steel
Material type:	DC01-A, DD11
Surface:	galvanized
Sound insulation lining:	rubber EPDM
Temperature resistance:	- 35 °C up to + 100 °C
Insulation thickness:	3 mm

Connection: Thread M8

Clamping range		Material	Closure-screw	max. load F_{max} [kN]	$H_{(min-max)}$ [mm]	with sound insulation lining rubber		Weight	Packing	black
[mm]	[Inch]	[mm]				A	B	[kg/pc.]	[pcs.]	Part-No.
12 - 15	1/4	20x1,0	M5	0,60	30-33	12	41	0,026	100	14510151
16 - 19	3/8	20x1,0	M5	0,60	34-37	12	45	0,029	100	14510191
20 - 23	1/2	20x1,0	M5	0,60	38-41	12	51	0,033	100	14510231
25 - 29	3/4	20x1,0	M5	0,60	43-47	12	56	0,036	100	14510291
32 - 35	1	20x1,0	M5	0,60	50-53	12	62	0,042	100	14510351
40 - 44	1 ^{1/4}	20x1,0	M5	0,60	58-62	12	71	0,058	50	14510441
48 - 52	1 ^{1/2}	20x1,5	M5	1,10	66-70	12	80	0,079	50	14510521
53 - 57		20x1,5	M5	1,10	71-75	12	85	0,086	50	14510571
58 - 60	2	20x1,5	M5	1,10	76-79	12	89	0,091	50	14510601

Connection: Thread M8

Clamping range		Material	Closure-screw	max. load F_{max} [kN]	$H_{(min-max)}$ [mm]	with sound insulation lining rubber		Weight	Packing	white
[mm]	[Inch]	[mm]				A	B	[kg/pc.]	[pcs.]	Part-No.
12 - 15	1/4	20x1,0	M5	0,60	30-33	12	41	0,026	100	14590151
16 - 19	3/8	20x1,0	M5	0,60	34-37	12	45	0,029	100	14590191
20 - 23	1/2	20x1,0	M5	0,60	38-41	12	51	0,033	100	14590231
25 - 29	3/4	20x1,0	M5	0,60	43-47	12	56	0,036	100	14590291
32 - 35	1	20x1,0	M5	0,60	50-53	12	62	0,042	100	14590351

Remark: Determination of max. allowable load according to static methods and breaking loads, considering a max. allowable deformation of 1,5 mm or 2% of max. tensible pipe diameter.

Products awarded with „Gütezeichen Rohrbefestigung“ and subject to external supervision acc. to RAL-GZ 655-B.

■ Pipe clamp Talis, lined



Pipe clamp Talis, lined



Specification

Closure:	screwed closure
Construction method:	two-part
OD:	12 up to 169 mm
Connection:	M8, M8/M10, M10/M12
Sound insulation:	according to DIN 4109

Technical data:

Material:	steel
Material type:	DD11
Surface:	galvanized
Sound insulation lining:	EPDM
Temperature resistance:	- 35 °C up to + 100 °C
Insulation thickness:	3 mm

Connection: Thread M8

							EPDM
Clamping range		Material	Closure-screw	max. load	Weight	Packing	Part-No.
[mm]	[inch]	[mm]		F_{max} [kN]	[kg/pc.]	[pcs.]	
12 - 14	1/4	20x1,0	M5	1,25	0,031	100	101234012
15 - 19	3/8	20x1,0	M5	1,25	0,033	100	101234015
20 - 23	1/2	20x1,0	M5	1,25	0,037	100	101234020
24 - 28	3/4	20x1,0	M5	1,25	0,040	100	101234026
31 - 35	1	20x1,0	M5	1,25	0,044	100	101234032
38 - 43	1 1/4	20x1,0	M5	1,25	0,048	50	101234040
48 - 51	1 1/2	20x1,0	M5	1,25	0,054	50	101234048
52 - 56		20x1,2	M6	1,30	0,063	50	101234052

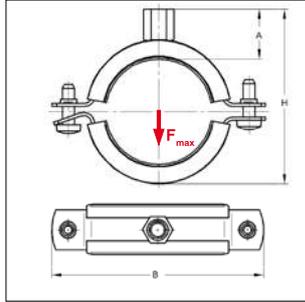
Connection: Thread M8/M10

							EPDM
Clamping range		Material	Closure-screw	max. load	Weight	Packing	Part-No.
[mm]	[inch]	[mm]		F_{max} [kN]	[kg/pc.]	[pcs.]	
57 - 63	2	20x1,2	M6	1,30	0,068	50	101234057
63 - 67		20x1,5	M6	1,50	0,085	50	101234063
70 - 73		20x1,5	M6	1,50	0,091	50	101234070
74 - 80	2 1/2	20x1,5	M6	1,50	0,097	50	101234074
83 - 91	3	20x1,5	M6	1,50	0,105	50	101234083
108 - 114	4	25x1,5	M6	2,00	0,171	50	101234108

Connection: Thread M10/M12

							EPDM
Clamping range		Material	Closure-screw	max. load	Weight	Packing	Part-No.
[mm]	[inch]	[mm]		F_{max} [kN]	[kg/pc.]	[pcs.]	
120 - 125		25x2,0	M6	3,00	0,222	25	101234125
130 - 136		25x2,0	M6	3,00	0,238	25	101234130
136 - 142	5	25x2,0	M6	3,00	0,250	25	101234136
159 - 163		25x2,0	M6	3,00	0,280	25	101234159
165 - 169	6	25x2,0	M6	3,00	0,292	25	101234165

■ Pipe clamp Trabant, lined



Pipe clamp Trabant

Specification

Closure:	snap-in closure
Construction method:	two-part
OD:	12 up to 168 mm
Connection:	M8/M10, M10/M12
Sound insulation:	according to DIN 4109

Technical data:

Material:	steel
Material type:	DC01-A, DD11
Surface:	galvanized
Sound insulation lining:	rubber TPE / EPDM
Temperature resistance:	- 35 °C up to + 100 °C
Insulation thickness:	4,5 mm

Connection: Thread M8/M10

Clamping range		Material	Closure-screw	max. load	H _(min-max)	A	B	Weight	Packing	Part-No.
[mm]	[Inch]	[mm]		F _{max} [kN]	[mm]	[mm]	[mm]	[kg/pc.]	[pcs.]	
12 - 15		20x1,0	M6	0,29	40-43	22	59	0,051	100	042615101
16 - 20	3/8	20x1,0	M6	0,29	43-48	22	64	0,054	100	042620101
21 - 25	1/2	20x1,0	M6	0,29	48-53	22	69	0,058	100	042625101
26 - 30	3/4	20x1,0	M6	0,29	53-58	22	75	0,064	100	042630101
32 - 37	1	20x1,0	M6	0,29	60-65	22	81	0,066	100	042637101
42 - 46	1 1/4	20x1,5	M6	0,90	71-75	23	92	0,094	50	042646101
48 - 52	1 1/2	20x1,5	M6	0,90	76-81	23	98	0,101	50	042652101
54 - 58		20x1,5	M6	0,90	82-87	23	104	0,107	50	042658101
60 - 65	2	20x1,5	M6	0,90	88-94	23	111	0,114	50	042665101
70 - 76		25x1,5	M6	1,10	98-104	22	122	0,150	50	042672101
76 - 83	2 1/2	25x1,5	M6	1,10	104-111	22	127	0,155	50	042677101
85 - 90	3	25x2,0	M6	1,50	114-119	23	134	0,202	50	0426901
108 - 114	4	25x2,5	M6	1,90	142-148	26	166	0,253	50	0427141

Connection: Thread M10/M12

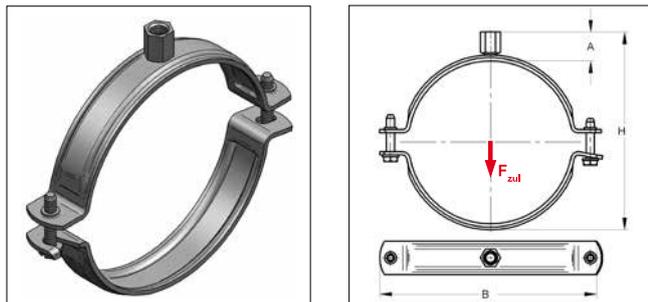
Clamping range		Material	Closure-screw	max. load	H _(min-max)	A	B	Weight	Packing	Part-No.
[mm]	[Inch]	[mm]		F _{max} [kN]	[mm]	[mm]	[mm]	[kg/pc.]	[pcs.]	
121 - 125		25x2,5	M6	2,20	156-162	27	176	0,313	25	04272251
132 - 136		25x2,5	M6	2,20	167-173	27	187	0,337	25	04272361
137 - 141	5	25x2,5	M6	2,20	172-178	27	192	0,343	25	04272411
159 - 163		25x2,5	M6	2,20	194-200	27	215	0,388	25	04272631
164 - 168	6	25x2,5	M6	2,20	199-205	27	220	0,398	25	04272681

i suitable connection adaptor see on page 1/24

Remark: Determination of max. allowable load according to static methods and breaking loads, considering a max. allowable deformation of 1,5 mm or 2% of max. tensible pipe diameter.

Products awarded with „Gütezeichen Rohrbefestigung“ and subject to external supervision acc. to RAL-GZ 655-B.

■ Pipe clamp Trabant, unlined



Pipe clamp Trabant, unlined

Specification:

Closure: snap-in closure
 Construction method: two-part
 OD: 21 up to 122 mm
 Connection: M8/M10

Technical data:

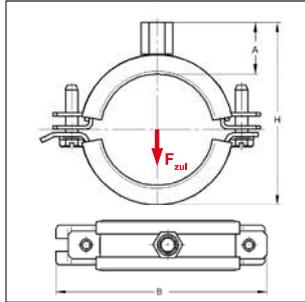
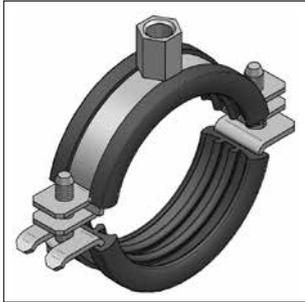
Material: Steel
 Surface: galvanized

Connection: Thread M8/M10

Clamping range [mm]	Material [mm]	Closure- screw	max. load F_{max} [kN]	H (min-max) [mm]	A [mm]	B [mm]	Weight [kg/pc.]	Packing [pc.]	Part-No.
21 - 24	20x1,0	M6	0,29	40-43	18	59	0,05	100	042615201
25 - 29	20x1,0	M6	0,29	44-48	18	64	0,05	100	042620201
30 - 34	20x1,0	M6	0,29	49-53	18	69	0,05	100	042625201
35 - 39	20x1,0	M6	0,29	54-58	18	75	0,06	100	042630201
41 - 48	20x1,0	M6	0,29	60-67	18	91	0,06	100	042637201
51 - 55	20x1,5	M6	0,90	71-75	18	92	0,08	50	042646201
57 - 61	20x1,5	M6	0,90	77-81	18	98	0,09	50	042652201
63 - 67	20x1,5	M6	0,90	83-87	18	104	0,09	50	042658201
69 - 74	20x1,5	M6	0,90	89-94	18	111	0,10	50	042665201
76 - 85	25x1,5	M6	1,10	95-104	18	122	0,13	50	042672201
84 - 90	25x1,5	M6	1,10	103-109	18	127	0,14	50	042677201
94 - 97	25x2,0	M6	1,50	114-119	18	134	0,16	50	0426902
106 - 110	25x2,5	M6	1,90	132-136	22	153	0,23	50	0427022
114 - 122	25x2,5	M6	1,90	140-148	22	166	0,25	50	04272142

■ Pipe clamp Omnia MB, lined

01



Related fire loads see page 15/10

Pipe clamp Omnia MB

Specification

Closure: swiveling U-closure
 Construction method: two-part
 OD: 15 up to 168 mm
 Connection: M8/M10, M10/M12, M12
 Sound insulation: according to DIN 4109

Technical data:

Material: steel
 Material type: DD11
 Surface: galvanized
 Sound insulation lining: rubber TPE Silicone¹⁾
 Temperature resistance: - 35 °C up to + 100 °C - 50 °C up to + 250 °C
 Insulation thickness: 6 mm 6 mm

Remark: also available with two connections

¹⁾ max. loads are also valid for pipe clamps with silicone lining, these are not RAL approved.

Connection: Thread M8/M10					with sound insulation lining					Silicone	Rubber
Clamping range	Material	Closure-screw	max. load	H (min-max)	A	B	Weight	Packing	Part-No.	Part-No.	
[mm] [Inch]	[mm]		F _{max} ¹⁾ [kN]	[mm]	[mm]	[mm]	[kg/pc.]	[pcs.]			
15 - 20	3/8	20x1,5	M6	1,00	42-47	24	61	0,077	100	0398220	0398020
22 - 28	1/2-3/4	20x1,5	M6	1,00	49-56	24	68	0,087	100	0398228	0398028
30 - 35	1	20x1,5	M6	1,00	57-62	24	78	0,095	100	0398235	0398035
38 - 42	1 ^{1/4}	20x2,0	M6	1,60	66-70	24	89	0,120	50	0398242	0398042
44 - 48	1 ^{1/2}	20x2,0	M6	1,60	72-76	24	92	0,127	50	0398248	0398048
50 - 54		20x2,0	M6	1,60	78-82	24	101	0,136	50	0398254	0398054
56 - 60	2	20x2,0	M6	1,60	84-88	24	108	0,148	50	0398260	0398060
61 - 65		20x2,0	M6	1,60	91-92	24	113	0,152	50	0398264	0398064
70 - 73		20x2,0	M6	1,60	98-101	24	117	0,165	50	0398273	0398073
75 - 83	2 ^{1/2}	20x2,0	M6	1,60	103-108	24	124	0,180	50	0398278	0398078
84 - 89	3	25x2,5	M6	1,80	113-118	25	136	0,254	50	0398289	0398089
90 - 95		25x2,5	M6	1,80	119-124	25	143	0,268	50	0398295	0398095
100 - 105		25x2,5	M6	1,80	129-134	25	152	0,268	50	0398305	0398105
108 - 112		25x2,5	M6	1,80	137-141	25	158	0,302	50	0398312	0398112
114 - 116	4	25x2,5	M6	1,80	143-145	25	165	0,312	25	0398316	0398116
121 - 125		25x2,5	M6	1,80	150-154	25	175	0,330	25	0398325	0398125

Connection: Thread M10/M12					with sound insulation lining					Silicone	Rubber
Clamping range	Material	Closure-screw	max. load	H (min-max)	A	B	Weight	Packing	Part-No.	Part-No.	
[mm] [Inch]	[mm]		F _{max} ¹⁾ [kN]	[mm]	[mm]	[mm]	[kg/pc.]	[pcs.]			
132 - 136		25x3,0	M8	2,30	171-175	30	192	0,447	25	1418336	03981362
137 - 141	5	25x3,0	M8	2,30	176-180	30	197	0,459	25	1418341	03981412
159 - 163		25x3,0	M8	2,30	193-197	30	219	0,516	25	1418363	03981632
164 - 168	6	25x3,0	M8	2,30	198-202	30	225	0,526	25	1418368	03981682

■ Pipe clamp Omnia MB, lined

01

Connection: Thread M12				with sound insulation lining						Silicone	Rubber
Clamping range		Material	Closure-screw	max. load	H _(min-max)	A	B	Weight	Packing	Part-No.	Part-No.
[mm]	[Inch]	[mm]		F _{max} ¹⁾ [kN]	[mm]	[mm]	[mm]	[kg/pc.]	[pcs.]		
15 - 20	3/8	20x1,5	M6	1,00	43-48	24	61	0,095	100	0392227	0392014
22 - 28	1/2-3/4	20x1,5	M6	1,00	50-56	24	68	0,102	100	0392235	0392030
30 - 35	1	20x1,5	M6	1,00	58-63	24	78	0,112	100	0392243	0392049
38 - 42	1 ^{1/4}	20x2,0	M6	1,60	67-71	24	89	0,138	50	0392251	0392057
44 - 48	1 ^{1/2}	20x2,0	M6	1,60	73-77	24	92	0,145	50	0397448	0398448
50 - 54		20x2,0	M6	1,60	79-83	24	101	0,154	50	0397454	0398454
56 - 60	2	20x2,0	M6	1,60	85-89	24	108	0,164	50	0397460	0398460
61 - 65		20x2,0	M6	1,60	92-93	24	113	0,169	50	0397464	0398464
70 - 73		20x2,0	M6	1,60	99-102	24	117	0,183	50	0397473	0398473
75 - 83	2 ^{1/2}	20x2,0	M6	1,60	104-109	24	124	0,193	50	0397480	0398480
84 - 89	3	25x2,5	M6	1,80	114-119	25	136	0,272	50	0397489	0398489
90 - 95		25x2,5	M6	1,80	120-125	25	143	0,285	50	0397495	0398495
100 - 105		25x2,5	M6	1,80	130-135	25	152	0,303	50	0397505	0398505
108 - 112		25x2,5	M6	1,80	138-142	25	158	0,320	50	0392405	0392219
114 - 116	4	25x2,5	M6	1,80	144-146	25	165	0,330	25	0397516	0398516
121 - 125		25x2,5	M6	1,80	151-155	25	175	0,348	25	0397525	0398525

 suitable connection adaptor see on page 1/24

Remark: Determination of max. allowable load according to static methods and breaking loads, considering a max. allowable deformation of 1,5 mm or 2% of max. tensible pipe diameter.

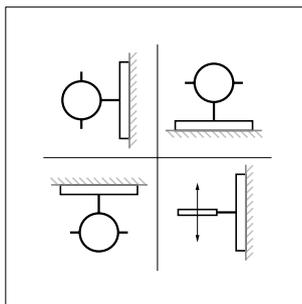
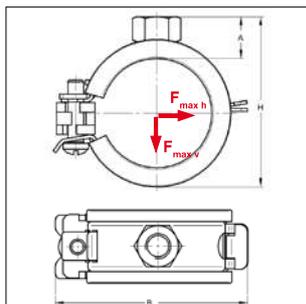
Products awarded with „Gütezeichen Rohrbefestigung“ and subject to external supervision acc. to RAL-GZ 655-B.

Sliding pipe clamp Sigma, lined

01



Sliding pipe clamp Sigma



Mounting recommendation



Specification

Closure: safety quick-closure
 Construction method: one-part
 OD: 12 up to 46 mm
 Connection: M8
 Sound insulation: according to DIN 4109

Technical data:

Material: steel
 Material type: DC01-A, DD11
 Surface: galvanized
 Sound insulation lining: rubber TPE , flocked
 Temperature resistance: - 30 °C up to + 70 °C
 Insulation thickness: 3 mm

Connection: Thread M8

Dimension [mm]	Material [mm]	Closure- screw	max. load		H [mm]	A [mm]	B [mm]	with sound insulation lining		Rubber
			$F_{\text{max horizontal}}$ [kN]	$F_{\text{max vertical}}$ [kN]				Weight [kg/pc.]	Packing [pcs.]	Part-No.
12	20x1,0	M5	0,08	0,25	33	13	43	0,027	100	14520121
15	20x1,0	M5	0,08	0,25	35	13	45	0,031	100	14520151
16	20x1,0	M5	0,08	0,25	35	13	45	0,032	100	14520161
18	20x1,0	M5	0,11	0,25	40	13	50	0,031	100	14520181
20	20x1,0	M5	0,11	0,25	40	13	50	0,036	100	14520201
22	20x1,0	M5	0,11	0,25	48	13	58	0,034	100	14520221
25	20x1,0	M5	0,11	0,25	48	13	58	0,038	100	14520251
28	20x1,0	M5	0,11	0,25	56	13	66	0,039	100	14520281
32	20x1,0	M5	0,16	0,25	56	13	66	0,044	100	14520321
35	20x1,0	M5	0,16	0,25	56	13	66	0,046	100	14520351
38	20x1,0	M5	0,16	0,25	64	13	74	0,053	50	14520381
40	20x1,0	M5	0,16	0,25	64	13	74	0,051	50	14520401
42	20x1,0	M5	0,16	0,25	64	13	74	0,051	50	14520421
46	20x1,5	M5	0,20	0,25	72	13	82	0,069	50	14520461

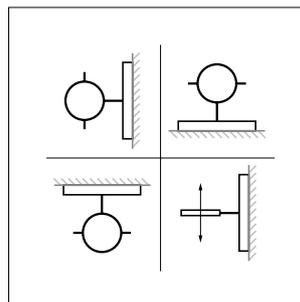
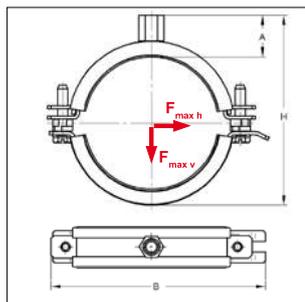
Remark: Determination of max. allowable load according to static methods and breaking loads, considering a max. allowable deformation of 1,5 mm or 2% of max. tensible pipe diameter.

With larger dimensions an unopposed sliding can not be guaranteed.

Sliding pipe clamp Omnia MB, lined



Sliding pipe clamp Omnia MB



Mounting recommendation



01

Specification

Closure: swiveling U-closure
 Construction method: two-part
 OD: 50 up to 116 mm
 Connection: M8/M10
 Sound insulation: according to DIN 4109

Technical data:

Material: steel
 Material type: DD11
 Surface: galvanized
 Sound insulation lining: rubber TPE, flocked
 Temperature resistance: - 30 °C up to + 70 °C
 Insulation thickness: 4 mm

Connection: Thread M8/M10

Dimension [mm]	Material [mm]	Closure- screw	max. load		H [mm]	A [mm]	B [mm]	with sound insulation lining		Rubber Part-No.
			F _{max horizontal} [kN]	F _{max vertical} [kN]				Weight [kg/pc.]	Packing [pcs.]	
50	20x2,0	M6	0,23	0,50	74	24	101	0,112	50	0387250
52	20x2,0	M6	0,23	0,50	76	24	101	0,126	50	0387252
54	20x2,0	M6	0,23	0,50	78	24	101	0,126	50	0387254
56	20x2,0	M6	0,23	0,50	80	24	108	0,137	50	0387256
63	20x2,0	M6	0,23	0,50	87	24	113	0,137	50	0387263
65	20x2,0	M6	0,23	0,50	90	24	113	0,143	50	0387265
69	20x2,0	M6	0,23	0,50	93	24	117	0,150	50	0387269
75	20x2,0	M6	0,23	0,50	99	24	124	0,150	50	0387275
77	20x2,0	M6	0,25	0,70	101	24	124	0,164	50	0387277
81	20x2,0	M6	0,25	0,70	105	24	124	0,164	50	0387281
90	25x2,5	M6	0,27	1,20	115	25	143	0,261	50	0387290
96	25x2,5	M6	0,30	1,20	121	25	143	0,261	50	0387296
110	25x2,5	M6	0,30	1,40	135	25	158	0,288	50	0387310
116	25x2,5	M6	0,30	1,60	141	25	165	0,302	50	0387316

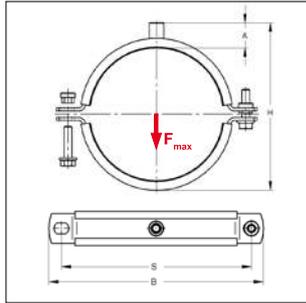
Remark: Determination of max. allowable load according to static methods and breaking loads, considering a max. allowable deformation of 1,5 mm or 2% of max. tensible pipe diameter.

With larger dimensions an unopposed sliding can not be guaranteed.

■ Pipe clamp Maxima PSM, lined



Pipe clamp Maxima PSM



Related fire loads see page 15/10

Delivery time:

Version with stepped-thread: 2 working days, ex works Kupferzell.

Pipe clamps with thread M16 and sleeve 1/2": 5 working days, ex works Kupferzell (pipe clamps Maxima PSM M16 and 1/2" are special designed on customer' request, no exchange or return).

Variant demand on request!

Specification

Closure: pendulum stick nut
 Construction method: two-part
 OD: 15 up to 275 mm
 Connection: M8/M10, M10/M12, M16, 1/2"
 Sound insulation: according to DIN 4109

Technical data:

Material: steel
 Material type: DD11, S235JRG2
 Surface: galvanized¹⁾
 Sound insulation lining: rubber TPE Silicone²⁾
 Temperature resistance: - 35 °C up to + 100 °C - 50 °C up to + 250 °C
 Insulation thickness: 6 mm 6 mm

¹⁾ Components for usage in outdoor areas also available with zinc-nickel-coating (corrosion-protection class C3 acc. to ISO 9223). Delivery time on demand!

²⁾ max. loads are also valid for pipe clamps with silicone lining, these are not RAL approved.

Connection: Thread M8/M10				with sound insulation lining						Silicone	Rubber	
Clamping range	Material	Closure screw	max. load	H _(min-max)	A	B	S	Weight	Packing	Part-No.	Part-No.	
[mm]	[Inch]	[mm]	F _{max} ²⁾ [kN]	[mm]	[mm]	[mm]	[mm]	[kg/pc.]	[pc.]			
15 - 19		25x3,0	M8	1,50	54-58	30	80	56	0,195	1	00695358	0068819
20 - 25	1/2	25x3,0	M8	1,50	59-64	30	87	63	0,207	1	0069536	0068823
26 - 30	3/4	25x3,0	M8	1,50	65-69	30	92	68	0,222	1	0069537	0068828
31 - 36	1	25x3,0	M8	1,50	70-75	30	98	74	0,234	1	0069538	0068873
38 - 45	1 1/4	25x3,0	M8	1,50	77-84	30	107	83	0,251	1	0069539	0068880
47 - 51	1 1/2	25x3,0	M8	1,50	86-90	30	114	90	0,273	1	0069540	0068881
53 - 57		25x3,0	M8	1,50	92-96	30	120	96	0,288	1	0069541	0068941
58 - 64	2	25x3,0	M8	1,50	97-103	30	129	105	0,300	1	00695397	00688083

Connection: Thread M10/M12				with sound insulation lining						Silicone	Rubber	
Clamping range	Material	Closure screw	max. load	H _(min-max)	A	B	S	Weight	Packing	Part-No.	Part-No.	
[mm]	[Inch]	[mm]	F _{max} ²⁾ [kN]	[mm]	[mm]	[mm]	[mm]	[kg/pc.]	[pc.]			
65 - 70		30x3,0	M10	1,85	104-109	30	141	115	0,420	1	0083580	0080075
72 - 78	2 1/2	30x3,0	M10	1,85	111-117	30	149	123	0,441	1	0083589	0080106
84 - 90	3	30x3,0	M10	1,85	123-129	30	162	135	0,477	1	0083596	0080107
94 - 100		30x3,0	M10	1,85	133-139	30	172	145	0,507	1	0083610	0080108
102 - 106		30x3,0	M10	1,85	141-145	30	178	152	0,531	1	0083626	0080148
108 - 112		30x3,0	M10	1,85	147-151	30	184	158	0,549	1	0083635	0080159
113 - 117	4	30x3,0	M10	1,85	152-156	30	189	163	0,564	1	0083636	0080167
120 - 125		35x4,0	M10	5,00	161-166	31	209	179	0,810	1	0083662	0080168
127 - 132		35x4,0	M10	5,00	168-173	31	216	186	0,841	1	0083670	0080185
133 - 136		35x4,0	M10	5,00	174-177	31	220	191	0,867	1	0083678	0088136
137 - 142	5	35x4,0	M10	5,00	178-183	31	226	196	0,885	1	0083679	0080192
145 - 150		35x4,0	M10	5,00	186-191	31	234	204	0,921	1	0083686	0080193
152 - 156		35x4,0	M10	5,00	193-197	31	240	211	0,952	1	0083694	0080198
158 - 163		35x4,0	M10	5,00	199-204	31	247	218	0,979	1	0083708	0088163
164 - 168	6	35x4,0	M10	5,00	205-209	31	252	223	1,005	1	0083711	0080222
190 - 194		35x4,0	M10	5,00	231-235	31	278	249	1,121	1	0083742	0080244
198 - 203		35x4,0	M10	5,00	239-244	31	287	258	1,156	1	0083750	0080270
207 - 213		35x4,0	M10	5,00	248-254	31	297	268	1,196	1	0083774	0080293
219 - 223	8	35x4,0	M10	5,00	260-264	31	308	278	1,250	1	0083804	0080309
225 - 230		35x4,0	M10	5,00	266-271	31	315	285	1,276	1	0083806	0088230
242 - 246		35x4,0	M10	5,00	283-287	31	331	301	1,352	1	0083839	0080331
270 - 275	10	35x4,0	M10	5,00	311-316	31	360	330	1,476	1	0083878	0080374

■ Pipe clamp Maxima PSM, lined

01

Connection: Thread M16				with sound insulation lining							Silicone	Rubber
Clamping range		Material	Closure-screw	max. load F_{max} [kN]	H _(min-max) [mm]	A [mm]	B [mm]	S [mm]	Weight [kg/pc.]	Packing [pc.]	Part-No.	Part-No.
[mm]	[Inch]	[mm]										
102 - 106		30x3,0	M10	1,85	140-144	29	178	152	0,547	1	0084646	0081620
108 - 112		30x3,0	M10	1,85	146-150	29	184	158	0,565	1	0084654	0081639
113 - 117	4	30x3,0	M10	1,85	151-155	29	189	163	0,580	1	0084659	0081652
120 - 125		35x4,0	M10	5,00	160-165	30	209	179	0,826	1	0084665	0081646
127 - 132		35x4,0	M10	5,00	167-172	30	216	186	0,857	1	0084670	0081655
133 - 136		35x4,0	M10	5,00	173-176	30	220	191	0,883	1	0084689	0081663
137 - 142	5	35x4,0	M10	5,00	177-182	30	226	196	0,901	1	0084692	0081668
145 - 150		35x4,0	M10	5,00	185-190	30	234	204	0,937	1	0084693	0081670
152 - 156		35x4,0	M10	5,00	192-196	30	240	211	0,968	1	0084703	0081674
158 - 163		35x4,0	M10	5,00	198-203	30	247	218	0,995	1	0084719	0081701
164 - 168	6	35x4,0	M10	5,00	204-208	30	252	223	1,021	1	0084723	0081710
190 - 194		35x4,0	M10	5,00	230-234	30	278	249	1,137	1	0084750	0081750
198 - 203		35x4,0	M10	5,00	238-243	30	287	258	1,172	1	0084754	0081756
207 - 213		35x4,0	M10	5,00	247-253	30	297	268	1,212	1	0084794	0081786
219 - 223	8	35x4,0	M10	5,00	259-263	30	308	278	1,266	1	0084811	0081797
225 - 230		35x4,0	M10	5,00	265-270	30	315	285	1,293	1	0084816	0081809
242 - 246		35x4,0	M10	5,00	282-286	30	331	301	1,368	1	0084832	0081826
270 - 275	10	35x4,0	M10	5,00	310-315	30	360	330	1,492	1	0084870	0081867

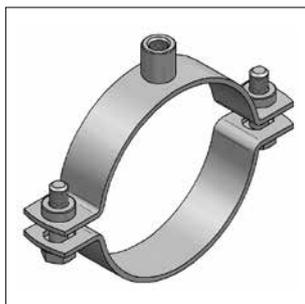
Connection: Sleeve 1/2 "				with sound insulation lining							Silicone	Rubber
Clamping range		Material	Closure-screw	max. load F_{max} [kN]	H _(min-max) [mm]	A [mm]	B [mm]	S [mm]	Weight [kg/pc.]	Packing [pc.]	Part-No.	Part-No.
[mm]	[Inch]	[mm]										
102 - 106		30x3,0	M10	1,85	135-139	24	178	152	0,525	1	0085132	0082120
108 - 112		30x3,0	M10	1,85	141-145	24	184	158	0,543	1	0085154	0082139
113 - 117	4	30x3,0	M10	1,85	146-150	24	189	163	0,558	1	0085158	0082151
120 - 125		35x4,0	M10	5,00	155-160	25	209	179	0,804	1	0085165	0082146
127 - 132		35x4,0	M10	5,00	162-167	25	216	186	0,835	1	0085170	0082155
133 - 136		35x4,0	M10	5,00	168-171	25	220	191	0,861	1	0085189	0082163
137 - 142	5	35x4,0	M10	5,00	172-177	25	226	196	0,879	1	0085192	0082168
145 - 150		35x4,0	M10	5,00	180-185	25	234	204	0,915	1	0085200	0082170
152 - 156		35x4,0	M10	5,00	187-191	25	240	211	0,946	1	0085208	0082197
158 - 163		35x4,0	M10	5,00	193-198	25	247	218	0,973	1	0085219	0082201
164 - 168	6	35x4,0	M10	5,00	199-203	25	252	223	0,999	1	0085223	0082210
190 - 194		35x4,0	M10	5,00	225-229	25	278	249	1,115	1	0085250	0082250
198 - 203		35x4,0	M10	5,00	233-238	25	287	258	1,150	1	0085254	0082254
207 - 213		35x4,0	M10	5,00	242-248	25	297	268	1,191	1	0085297	0082290
219 - 223	8	35x4,0	M10	5,00	254-258	25	308	278	1,244	1	0085311	0082297
225 - 230		35x4,0	M10	5,00	260-265	25	315	285	1,271	1	0085316	0082309
242 - 246		35x4,0	M10	5,00	277-281	25	331	301	1,346	1	0085335	0082327
270 - 275	10	35x4,0	M10	5,00	305-310	25	360	330	1,470	1	0085370	0082370

 suitable connection adaptor see on page 1/24

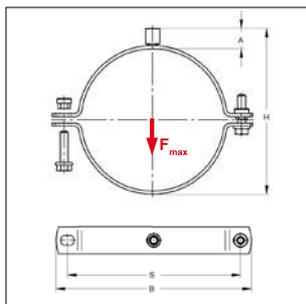
Remark: Determination of max. allowable load according to static methods and breaking loads, considering a max. allowable deformation of 1,5 mm or 2% of max. tensible pipe diameter.

Products awarded with „Gütezeichen Rohrbefestigung“ and subject to external supervision acc. to RAL-GZ 655-B.

■ Pipe clamp Maxima PSM, unlined



Pipe clamp Maxima PSM, unlined



Related fire loads see page 15/10

Delivery time:

Version with stepped-thread: 2 working days, ex works

Pipe clamps with thread M16 and

sleeve 1/2": 5 working days, ex works

(pipe clamps Maxima PSM M16 and 1/2" are special designed on customer' request, no exchange or return).

Variant demand on request!

Specification

Closure: pendulum stick nut
 Construction method: two-part
 OD: 12 up to 273 mm
 Connection: M8/M10, M10/M12, M16, 1/2"

Technical data:

Material: steel
 Material type: DD11, S235JRG2
 Surface: galvanized¹⁾

¹⁾ Components for outdoor application also available with Zinc-Nickel-coating (corrosion-protection class C3 acc. to ISO 9223). Delivery time on demand!

Connection: Thread M8/M10

without sound insulation lining

Clamping range	Material	Closure-screw	max. load	H	A	B	S	Weight	Packing	Part-No.	
[mm]	[Inch]	[mm]	F _{max} [kN]	(min-max) [mm]	[mm]	[mm]	[mm]	[kg/pc.]	[pc.]		
12 - 16		25x3,0	M8	3,00	39-43	24	65	41	0,158	1	0068835
17 - 19		25x3,0	M8	3,00	44-46	24	69	45	0,168	1	00688612
20 - 23	1/2	25x3,0	M8	3,00	47-50	24	73	49	0,173	1	0068838
25 - 29	3/4	25x3,0	M8	3,00	52-56	24	80	56	0,182	1	0068837
30 - 35	1	25x3,0	M8	3,00	59-62	24	87	63	0,192	1	0068836
36 - 40		25x3,0	M8	3,00	63-67	24	92	68	0,203	1	0068841
41 - 46	1 1/4	25x3,0	M8	3,00	68-73	24	98	74	0,212	1	0068847
48 - 55	1 1/2	25x3,0	M8	3,00	75-82	24	107	83	0,225	1	0068856
57 - 61	2	25x3,0	M8	3,00	84-88	24	114	90	0,241	1	0068863
63 - 67		25x3,0	M8	3,00	90-94	24	120	96	0,253	1	0068882
70 - 76	2 1/2	25x3,0	M8	3,00	97-103	24	129	105	0,265	1	00880769

Connection: Thread M10/M12

without sound insulation lining

Clamping range	Material	Closure-screw	max. load	H	A	B	S	Weight	Packing	Part-No.	
[mm]	[Inch]	[mm]	F _{max} [kN]	(min-max) [mm]	[mm]	[mm]	[mm]	[kg/pc.]	[pc.]		
84 - 90	3	30x3,0	M10	3,00	111-117	24	149	123	0,390	1	0088093
96 - 102		30x3,0	M10	3,00	123-129	24	162	135	0,417	1	0088105
106 - 112		30x3,0	M10	3,00	133-139	24	172	145	0,440	1	0088113
114 - 118	4	30x3,0	M10	3,00	141-145	24	178	152	0,458	1	0088119
120 - 124		30x3,0	M10	3,00	147-151	24	184	158	0,472	1	0088125
125 - 129		30x3,0	M10	3,00	152-156	24	189	163	0,483	1	0088130
132 - 137		35x4,0	M10	6,30	161-166	25	209	179	0,709	1	0088138
139 - 144	5	35x4,0	M10	6,30	168-173	25	216	186	0,734	1	0088145
149 - 154		35x4,0	M10	6,30	178-183	25	226	196	0,769	1	0088155
157 - 162		35x4,0	M10	6,30	186-191	25	234	204	0,798	1	0088164
164 - 168	6	35x4,0	M10	6,30	193-197	25	240	211	0,823	1	0088169
189 - 193		35x4,0	M10	6,30	218-222	25	265	236	0,912	1	0088194
195 - 200		35x4,0	M10	6,30	224-229	25	272	243	0,934	1	0088201
210 - 215		35x4,0	M10	6,30	239-244	25	287	258	0,987	1	0088216
219 - 225	8	35x4,0	M10	6,30	248-254	25	297	268	1,020	1	0088228
244 - 250		35x4,0	M10	6,30	273-279	25	323	293	1,109	1	0088253
269 - 273	10	35x4,0	M10	6,30	298-302	25	346	316	1,198	1	0088274

■ Pipe clamp Maxima PSM, unlined

01

Connection: Thread M16											without sound insulation lining
Clamping range		Material	Closure-screw	max. load	H _(min-max)	A	B	S	Weight	Packing	Part-No.
[mm]	[Inch]	[mm]		F _{max} [kN]	[mm]	[mm]	[mm]	[mm]	[kg/pc.]	[pc.]	
106 - 112		30x3,0	M10	3,00	132-138	23	172	145	0,456	1	0081607
114 - 118	4	30x3,0	M10	3,00	140-144	23	178	152	0,474	1	0081621
120 - 124		30x3,0	M10	3,00	146-150	23	184	158	0,488	1	0081643
125 - 129		30x3,0	M10	3,00	151-155	23	189	163	0,499	1	0081645
132 - 137		35x4,0	M10	6,30	160-165	24	209	179	0,725	1	0081654
139 - 144	5	35x4,0	M10	6,30	167-172	24	216	186	0,750	1	0081657
149 - 154		35x4,0	M10	6,30	177-182	24	226	196	0,786	1	0081667
157 - 162		35x4,0	M10	6,30	185-190	24	234	204	0,814	1	0081675
164 - 168	6	35x4,0	M10	6,30	192-196	24	240	211	0,839	1	0081704
189 - 193		35x4,0	M10	6,30	217-221	24	265	236	0,928	1	0081739
195 - 200		35x4,0	M10	6,30	223-229	24	272	243	0,950	1	0081746
210 - 215		35x4,0	M10	6,30	238-243	24	287	258	1,004	1	0081762
219 - 225	8	35x4,0	M10	6,30	247-253	24	297	268	1,036	1	0081790
244 - 250		35x4,0	M10	6,30	272-278	24	323	293	1,125	1	0081818
269 - 273	10	35x4,0	M10	6,30	297-301	24	346	316	1,214	1	0081843

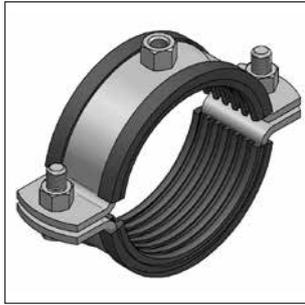
Connection: Sleeve 1/2"											without sound insulation lining
Clamping range		Material	Closure-screw	max. load	H _(min-max)	A	B	S	Weight	Packing	Part-No.
[mm]	[Inch]	[mm]		F _{max} [kN]	[mm]	[mm]	[mm]	[mm]	[kg/pc.]	[pc.]	
106 - 112		30x3,0	M10	3,00	127-133	18	172	145	0,434	1	0082109
114 - 118	4	30x3,0	M10	3,00	135-139	18	178	152	0,452	1	0082123
120 - 124		30x3,0	M10	3,00	141-145	18	184	158	0,466	1	0082144
125 - 129		30x3,0	M10	3,00	146-150	18	189	163	0,477	1	0082152
132 - 137		35x4,0	M10	6,30	155-160	19	209	179	0,703	1	0082153
139 - 144	5	35x4,0	M10	6,30	162-167	19	216	186	0,728	1	0082157
149 - 154		35x4,0	M10	6,30	172-177	19	226	196	0,763	1	0082173
157 - 162		35x4,0	M10	6,30	180-185	19	234	204	0,792	1	0082175
164 - 168	6	35x4,0	M10	6,30	187-191	19	240	211	0,817	1	0082196
189 - 193		35x4,0	M10	6,30	212-216	19	265	236	0,906	1	0082237
195 - 200		35x4,0	M10	6,30	218-223	19	272	243	0,928	1	0082247
210 - 215		35x4,0	M10	6,30	233-238	19	287	258	0,981	1	0082261
219 - 225	8	35x4,0	M10	6,30	242-248	19	297	268	1,014	1	0082291
244 - 250		35x4,0	M10	6,30	267-273	19	323	293	1,103	1	0082320
269 - 273	10	35x4,0	M10	6,30	292-296	19	346	316	1,193	1	0082342

 suitable connection adaptor see on page 1/24

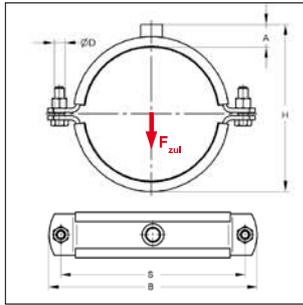
Remark: Determination of max. allowable load according to static methods and breaking loads, considering a max. allowable deformation of 1,5 mm or 2% of max. tensible pipe diameter.

Products awarded with „Gütezeichen Rohrbefestigung“ and subject to external supervision acc. to RAL-GZ 655-B.

■ Pipe clamp Titan HD, lined



Pipe clamp Titan HD



Related fire loads see page 15/10

Delivery time:

5 working days, ex works (pipe clamps Titan HD are special designed on customer' request, no exchange or return).

Variant demand on request!

Specification

Closure: screwed closure
 Construction method: two-part
 OD: 64 up to 508 mm
 Connection: M12, M16, 1/2", 1", 1 1/4"
 Sound insulation: according to DIN 4109

Technical data:

Material: steel
 Material type: S235JRG2
 Surface: galvanized¹⁾
 Sound insulation lining: rubber TPE **Silicone²⁾**
 Temperature resistance: - 35 °C up to + 100 °C **- 50 °C up to + 250 °C**
 Insulation thickness: 6 mm **6 mm**

¹⁾ Components for outdoor application also available with Zinc-Nickel-coating (corrosion-protection class C3 acc. to ISO 9223). Delivery time on demand!

²⁾ max. loads are also valid for pipe clamps with silicone lining, these are not RAL approved.

Connection: Thread M12				with sound insulation lining							Silicone	Rubber
Dimension [mm]	Material [mm]	Closure-screw	max. load $F_{max}^{2)}$ [kN]	H [mm]	A [mm]	B [mm]	S [mm]	D [mm]	Weight [kg/pc.]	Packing [pc.]	Part-No.	Part-No.
64	50x5,0	M12	3,20	97	22	154	125	13	0,918	1	0067500	0066504
76	50x5,0	M12	3,20	109	22	166	137	13	1,008	1	0067504	0066508
89	50x5,0	M12	3,20	122	22	179	150	13	1,105	1	0067506	0066510
108	50x5,0	M12	3,20	141	22	199	170	13	1,248	1	0067512	0066516
110	50x5,0	M12	3,20	143	22	201	172	13	1,263	1	0067539	0066532
114	50x5,0	M12	3,20	147	22	205	176	13	1,293	1	0067555	0066559
125	50x5,0	M12	3,20	158	22	216	187	13	1,375	1	0067571	0066583
127	50x5,0	M12	3,20	160	22	218	189	13	1,390	1	0067598	0066591
133	50x5,0	M12	3,20	166	22	224	195	13	1,435	1	0067601	0066605
135	50x5,0	M12	3,20	168	22	226	197	13	1,450	1	0067628	0066613
140	50x5,0	M12	3,20	173	22	231	202	13	1,488	1	0067636	0066621
152	50x5,0	M12	3,20	185	22	243	214	13	1,578	1	0067644	0066648
160	50x5,0	M12	3,20	193	22	251	222	13	1,638	1	0067687	0066680
165	50x5,0	M12	3,20	198	22	256	227	13	1,675	1	0067695	0066699
168	50x5,0	M12	3,20	201	22	259	230	13	1,698	1	0067717	0066710
177	50x5,0	M12	11,50	210	22	268	239	13	1,765	1	0067733	0066737
180	50x5,0	M12	11,50	213	22	271	242	13	1,788	1	0067741	0066753
194	50x5,0	M12	11,50	227	22	286	257	13	1,893	1	0067768	0066761
200	50x5,0	M12	11,50	233	22	292	263	13	1,938	1	0067784	0066788
210	50x5,0	M12	11,50	243	22	302	273	13	2,013	1	0067814	0066818
219	50x5,0	M12	11,50	252	22	309	280	13	2,080	1	0067822	0066826
225	50x5,0	M12	11,50	258	22	317	288	13	2,125	1	0067849	0066842
245	50x5,0	M12	11,50	278	22	336	308	13	2,275	1	0067873	0066877
267	50x5,0	M12	11,50	300	22	359	330	13	2,440	1	0067881	0066893
273	50x5,0	M12	11,50	306	22	365	336	13	2,485	1	0067903	0066907
280	50x5,0	M12	11,50	313	22	372	343	13	2,538	1	0067911	0066923
298	50x5,0	M12	11,50	331	22	390	361	13	2,673	1	0067938	0066931
324	50x5,0	M12	11,50	357	22	416	387	13	2,867	1	0067954	0066958
356	50x5,0	M12	11,50	389	22	448	419	13	3,107	1	0067962	0066966
368	50x5,0	M12	11,50	401	22	460	431	13	3,197	1	0067989	0066982

■ Pipe clamp Titan HD, lined

Connection: Thread M16				with sound insulation lining								Silicone	Rubber
Dimension [mm]	[Inch]	Material [mm]	Closure- screw	max. load $F_{max}^{(2)}$ [kN]	H [mm]	A [mm]	B [mm]	S [mm]	D [mm]	Weight [kg/pc.]	Packing [pc.]	Part-No.	Part-No.
64		50x5,0	M12	3,20	101	26	154	125	13	0,935	1	0076499	0071516
76	2 1/2	50x5,0	M12	3,20	113	26	166	137	13	1,025	1	0076503	0071520
89	3	50x5,0	M12	3,20	126	26	179	150	13	1,122	1	0076505	0071522
108		50x5,0	M12	3,20	145	26	199	170	13	1,265	1	0076511	0071528
110		50x5,0	M12	3,20	147	26	201	172	13	1,280	1	0076538	0071536
114	4	50x5,0	M12	3,20	151	26	205	176	13	1,310	1	0076554	0071552
125		50x5,0	M12	3,20	162	26	216	187	13	1,392	1	0076589	0071587
127		50x5,0	M12	3,20	164	26	218	189	13	1,407	1	0076597	0071595
133		50x5,0	M12	3,20	170	26	224	195	13	1,452	1	0076600	0071609
135		50x5,0	M12	3,20	172	26	226	197	13	1,467	1	0076619	0071617
140	5	50x5,0	M12	3,20	177	26	231	202	13	1,505	1	0076627	0071625
152		50x5,0	M12	3,20	189	26	243	214	13	1,595	1	0076643	0071641
160		50x5,0	M12	3,20	197	26	251	222	13	1,655	1	0076686	0071684
165	6	50x5,0	M12	3,20	202	26	256	227	13	1,692	1	0076694	0071692
168		50x5,0	M12	3,20	205	26	259	230	13	1,715	1	0076716	0071714
177		50x5,0	M12	11,50	214	26	268	239	13	1,782	1	0076732	0071730
180		50x5,0	M12	11,50	217	26	271	242	13	1,805	1	0076759	0071757
194		50x5,0	M12	11,50	231	26	286	257	13	1,910	1	0076775	0071773
200		50x5,0	M12	11,50	237	26	292	263	13	1,955	1	0076783	0071781
210		50x5,0	M12	11,50	247	26	302	273	13	2,030	1	0076805	0071803
219	8	50x5,0	M12	11,50	256	26	309	280	13	2,097	1	0076821	0071838
225		50x5,0	M12	11,50	262	26	317	288	13	2,142	1	0076848	0071846
245		50x5,0	M12	11,50	282	26	336	308	13	2,292	1	0076872	0071870
267		50x5,0	M12	11,50	304	26	359	330	13	2,457	1	0076899	0071897
273	10	50x5,0	M12	11,50	310	26	365	336	13	2,502	1	0076902	0071900
280		50x5,0	M12	11,50	317	26	372	343	13	2,555	1	0076929	0071927
298		50x5,0	M12	11,50	335	26	390	361	13	2,690	1	0076937	0071935
324	12	50x5,0	M12	11,50	361	26	416	387	13	2,884	1	0076945	0071943
356		50x5,0	M12	11,50	393	26	448	419	13	3,124	1	0076961	0071978
368		50x5,0	M12	11,50	405	26	460	431	13	3,214	1	0076988	0071986
406*		50x5,0	M12	11,50	443	26	498	469	13	3,499	1	0076997	0071994
457*		50x5,0	M12	11,50	494	26	549	520	13	3,882	1	0077001	0072003
508*		50x5,0	M12	11,50	545	26	600	571	13	4,264	1	0077005	0072014

* not certified acc. to RAL-GZ 655-B

■ Pipe clamp Titan HD, lined

01

Connection: Sleeve 1/2"				with sound insulation lining								Silicone	Rubber
Dimension [mm]	Material [mm]	Closure- screw	max. load $F_{max}^{2)}$ [kN]	H [mm]	A [mm]	B [mm]	S [mm]	D [mm]	Weight [kg/pc.]	Packing [pc.]	Part-No.	Part-No.	
64	50x5,0	M12	3,20	101	26	154	125	13	0,931	1	0077506	0072503	
76	2 ^{1/2} 50x5,0	M12	3,20	113	26	166	137	13	1,021	1	0077510	0072508	
89	3 50x5,0	M12	3,20	126	26	179	150	13	1,118	1	0077512	0072510	
108	50x5,0	M12	3,20	145	26	198	169	13	1,261	1	0077518	0072516	
110	50x5,0	M12	3,20	147	26	200	171	13	1,276	1	0077534	0072532	
114	4 50x5,0	M12	3,20	151	26	204	175	13	1,306	1	0077550	0072559	
125	50x5,0	M12	3,20	162	26	215	186	13	1,388	1	0077585	0072583	
127	50x5,0	M12	3,20	164	26	217	188	13	1,403	1	0077593	0072591	
133	50x5,0	M12	3,20	170	26	223	194	13	1,448	1	0077607	0072605	
135	50x5,0	M12	3,20	172	26	225	196	13	1,463	1	0077615	0072613	
140	5 50x5,0	M12	3,20	177	26	230	201	13	1,501	1	0077623	0072621	
152	50x5,0	M12	3,20	189	26	242	213	13	1,591	1	0077631	0072648	
160	50x5,0	M12	3,20	197	26	250	221	13	1,651	1	0077682	0072680	
165	6 50x5,0	M12	3,20	202	26	255	226	13	1,688	1	0077690	0072699	
168	50x5,0	M12	3,20	205	26	258	229	13	1,711	1	0077712	0072710	
177	50x5,0	M12	11,50	214	26	267	238	13	1,778	1	0077739	0072737	
180	50x5,0	M12	11,50	217	26	270	241	13	1,801	1	0077755	0072753	
194	50x5,0	M12	11,50	231	26	284	255	13	1,906	1	0077771	0072761	
200	50x5,0	M12	11,50	237	26	290	261	13	1,951	1	0077798	0072788	
210	50x5,0	M12	11,50	247	26	300	271	13	2,026	1	0077801	0072818	
219	8 50x5,0	M12	11,50	257	26	309	280	13	2,093	1	0077828	0072826	
225	50x5,0	M12	11,50	262	26	315	286	13	2,138	1	0077844	0072842	
245	50x5,0	M12	11,50	282	26	335	306	13	2,288	1	0077879	0072877	
267	50x5,0	M12	11,50	304	26	357	328	13	2,453	1	0077895	0072893	
273	10 50x5,0	M12	11,50	311	26	363	334	13	2,498	1	0077909	0072907	
280	50x5,0	M12	11,50	317	26	370	341	13	2,551	1	0077925	0072923	
298	50x5,0	M12	11,50	335	26	388	359	13	2,686	1	0077933	0072931	
324	12 50x5,0	M12	11,50	361	26	414	385	13	2,880	1	0077941	0072958	
356	50x5,0	M12	11,50	393	26	446	417	13	3,120	1	0077968	0072966	
368	50x5,0	M12	11,50	405	26	458	429	13	3,210	1	0077984	0072982	

Connection: Sleeve 1"				with sound insulation lining								Silicone	Rubber
Dimension [mm]	Material [mm]	Closure- screw	max. load $F_{max}^{2)}$ [kN]	H [mm]	A [mm]	B [mm]	S [mm]	D [mm]	Weight [kg/pc.]	Packing [pc.]	Part-No.	Part-No.	
64	50x5,0	M12	3,20	106	31	154	125	13	0,979	1	0079498	0074507	
76	2 ^{1/2} 50x5,0	M12	3,20	118	31	166	137	13	1,069	1	0079502	0074511	
89	3 50x5,0	M12	3,20	131	31	179	150	13	1,166	1	0079504	0074513	
108	50x5,0	M12	3,20	150	31	198	169	13	1,309	1	0079510	0074519	
110	50x5,0	M12	3,20	152	31	200	171	13	1,324	1	0079537	0074535	
114	4 50x5,0	M12	3,20	156	31	204	175	13	1,354	1	0079553	0074551	
125	50x5,0	M12	3,20	167	31	215	186	13	1,436	1	0079588	0074586	
127	50x5,0	M12	3,20	169	31	217	188	13	1,451	1	0079596	0074594	
133	50x5,0	M12	3,20	175	31	223	194	13	1,496	1	0079618	0074608	
135	50x5,0	M12	3,20	177	31	225	196	13	1,511	1	0079626	0074616	
140	5 50x5,0	M12	3,20	182	31	230	201	13	1,549	1	0079634	0074624	
152	50x5,0	M12	3,20	194	31	242	213	13	1,639	1	0079642	0074640	
160	50x5,0	M12	3,20	202	31	250	221	13	1,699	1	0079685	0074683	

■ Pipe clamp Titan HD, lined

Connection: Sleeve 1"				with sound insulation lining								Silicone	Rubber
Dimension [mm]	Material [mm]	Closure- screw	max. load $F_{max}^{(2)}$ [kN]	H [mm]	A [mm]	B [mm]	S [mm]	D [mm]	Weight [kg/pc.]	Packing [pc.]	Part-No.	Part-No.	
165	6	50x5,0	M12	3,20	207	31	255	226	13	1,736	1	0079693	0074691
168		50x5,0	M12	3,20	210	31	258	229	13	1,759	1	0079715	0074713
177		50x5,0	M12	11,50	219	31	267	238	13	1,826	1	0079731	0074748
180		50x5,0	M12	11,50	222	31	270	241	13	1,849	1	0079758	0074756
194		50x5,0	M12	11,50	236	31	284	255	13	1,954	1	0079774	0074772
200		50x5,0	M12	11,50	242	31	290	261	13	1,999	1	0079782	0074780
210		50x5,0	M12	11,50	252	31	300	271	13	2,074	1	0079804	0074802
219	8	50x5,0	M12	11,50	262	31	309	280	13	2,141	1	0079820	0074829
225		50x5,0	M12	11,50	267	31	315	286	13	2,186	1	0079847	0074845
245		50x5,0	M12	11,50	287	31	335	306	13	2,336	1	0079871	0074861
267		50x5,0	M12	11,50	309	31	357	328	13	2,501	1	0079898	0074896
273	10	50x5,0	M12	11,50	316	31	363	334	13	2,546	1	0079901	0074918
280		50x5,0	M12	11,50	322	31	370	341	13	2,599	1	0079928	0074926
298		50x5,0	M12	11,50	340	31	388	359	13	2,734	1	0079936	0074934
324	12	50x5,0	M12	11,50	366	31	414	385	13	2,928	1	0079944	0074942
356		50x5,0	M12	11,50	398	31	446	417	13	3,168	1	0079960	0074969
368		50x5,0	M12	11,50	410	31	458	429	13	3,258	1	0079987	0074985
406*		50x5,0	M12	11,50	448	31	498	469	13	3,543	1	00799895	0074993
457*		50x5,0	M12	11,50	499	31	549	520	13	3,926	1	00799903	0075003
508*		50x5,0	M12	11,50	550	31	600	571	13	4,308	1	00799907	0075013

Connection: Sleeve 1 1/4"				with sound insulation lining								Silicone	Rubber
194		50x5,0	M12	11,50	238	33	284	255	13	1,979	1	0063845	0063941
200		50x5,0	M12	11,50	244	33	290	261	13	2,024	1	0063847	0063943
219	8	50x5,0	M12	11,50	264	33	309	280	13	2,166	1	0063853	0063951
245		50x5,0	M12	11,50	289	33	335	306	13	2,361	1	0063859	0063957
267		50x5,0	M12	11,50	311	33	357	328	13	2,526	1	0063863	0063961
273	10	50x5,0	M12	11,50	318	33	363	334	13	2,571	1	0063865	0063963
324	12	50x5,0	M12	11,50	368	33	414	385	13	2,953	1	0063881	0063978
356		50x5,0	M12	11,50	400	33	446	417	13	3,193	1	0063891	0063988
368		50x5,0	M12	11,50	412	33	458	429	13	3,283	1	0063893	0063990
406*		50x5,0	M12	11,50	450	33	498	469	13	3,568	1	0063901	0063998
457*		50x5,0	M12	11,50	501	33	549	520	13	3,951	1	00639015	00640063
508*		50x5,0	M12	11,50	552	33	600	571	13	4,333	1	00639023	0064016

Without connection thread				with sound insulation lining								Silicone	Rubber
406*		50x5,0	-	11,50	428	-	498	469	13	3,325	1	0075990	0070979
457*		50x5,0	-	11,50	479	-	549	520	13	3,708	1	0075998	0070989
508*		50x5,0	-	11,50	530	-	600	571	13	4,090	1	0076009	0070996

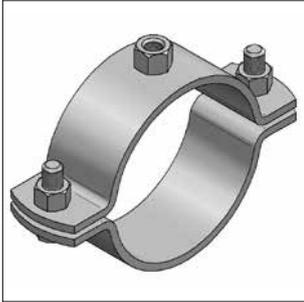
Remark: Determination of max. allowable load according to static methods and breaking loads, considering a max. allowable deformation of 1,5 mm or 2% of max. tensible pipe diameter.

Products awarded with „Gütezeichen Rohrbefestigung“ and subject to external supervision acc. to RAL-GZ 655-B.

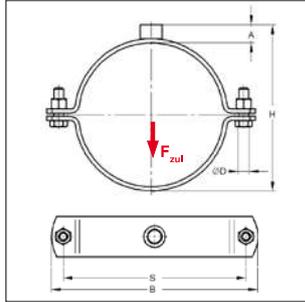
* not certified acc. to RAL-GZ 655-B.

■ Pipe clamp Titan HD, unlined

01



Pipe clamp Titan HD



Related fire loads see page 15/10

Delivery time:

5 working days, ex works Kupferzell (pipe clamps Titan HD are special designed on customer' request, no exchange or return).

Variant demand on request!

Specification

Closure: screwed closure
 Construction method: two-part
 OD: 64 up to 508 mm
 Connection: M12, M16, 1/2", 1", 1 1/4"

Technical data:

Material: steel
 Material type: S235JRG2
 Surface: galvanized

¹⁾ Components for outdoor application also available with Zinc-Nickel-coating (corrosion-protection class C3 acc. to ISO 9223). Delivery time on demand!

Connection: Thread M12

without sound insulation lining

Dimension	Material	Closure-screw	max. load	H	A	B	S	D	Weight	Packing	Part-No.	
[mm]	[Inch]	[mm]	F_{max} [kN]	[mm]	[mm]	[mm]	[mm]	[mm]	[kg/pc.]	[pc.]		
64		50x5,0	M12	6,00	85	16	141	112	13	0,766	1	0066503
76	2 1/2	50x5,0	M12	6,00	97	16	154	125	13	0,842	1	0066507
89	3	50x5,0	M12	6,00	110	16	167	138	13	0,925	1	0066509
108		50x5,0	M12	6,00	129	16	186	157	13	1,046	1	0066515
110		50x5,0	M12	6,00	131	16	188	159	13	1,058	1	0066518
114	4	50x5,0	M12	6,00	135	16	192	163	13	1,084	1	0066520
133		50x5,0	M12	6,00	154	16	212	183	13	1,205	1	0066572
135		50x5,0	M12	6,00	156	16	214	185	13	1,217	1	0066592
140	5	50x5,0	M12	6,00	161	16	219	190	13	1,249	1	0066606
160		50x5,0	M12	6,00	181	16	239	210	13	1,376	1	0066649
165	6	50x5,0	M12	6,00	186	16	244	215	13	1,408	1	0066682
168		50x5,0	M12	6,00	189	16	247	218	13	1,427	1	0066684
194		50x5,0	M12	16,00	215	16	273	244	13	1,592	1	0066754
200		50x5,0	M12	16,00	221	16	279	250	13	1,630	1	0066762
210		50x5,0	M12	16,00	231	16	290	261	13	1,694	1	0066792
219	8	50x5,0	M12	16,00	240	16	299	270	13	1,751	1	0066819
267		50x5,0	M12	16,00	288	16	347	318	13	2,056	1	0066881
273	10	50x5,0	M12	16,00	294	16	353	324	13	2,095	1	0066894
324	12	50x5,0	M12	16,00	345	16	404	375	13	2,419	1	0066955
356		50x5,0	M12	16,00	377	16	436	407	13	2,622	1	0066965
368		50x5,0	M12	16,00	389	16	448	419	13	2,698	1	0066981

■ Pipe clamp Titan HD, unlined

01

Connection: Thread M16				without sound insulation lining								
Dimension	Material	Closure-screw	max. load	H	A	B	S	D	Weight	Packing	Part-No.	
[mm]	[Inch]	[mm]	F _{max} [kN]	[mm]	[mm]	[mm]	[mm]	[mm]	[kg/pc.]	[pc.]		
64		50x5,0	M12	6,00	89	20	141	112	13	0,783	1	0071515
76	2 ^{1/2}	50x5,0	M12	6,00	101	20	154	125	13	0,859	1	0071519
89	3	50x5,0	M12	6,00	114	20	167	138	13	0,942	1	0071521
108		50x5,0	M12	6,00	133	20	186	157	13	1,063	1	0071527
110		50x5,0	M12	6,00	135	20	188	159	13	1,075	1	0071529
114	4	50x5,0	M12	6,00	139	20	192	163	13	1,101	1	0071530
133		50x5,0	M12	6,00	158	20	212	183	13	1,222	1	0071588
135		50x5,0	M12	6,00	160	20	214	185	13	1,234	1	0071596
140	5	50x5,0	M12	6,00	165	20	219	190	13	1,266	1	0071610
160		50x5,0	M12	6,00	185	20	239	210	13	1,393	1	0071642
165	6	50x5,0	M12	6,00	190	20	244	215	13	1,425	1	0071685
168		50x5,0	M12	6,00	193	20	247	218	13	1,444	1	0071687
194		50x5,0	M12	16,00	219	20	273	244	13	1,609	1	0071758
200		50x5,0	M12	16,00	225	20	279	250	13	1,647	1	0071774
210		50x5,0	M12	16,00	235	20	290	261	13	1,711	1	0071784
219	8	50x5,0	M12	16,00	244	20	299	270	13	1,768	1	0071804
267		50x5,0	M12	16,00	292	20	347	318	13	2,073	1	0071873
273	10	50x5,0	M12	16,00	298	20	353	324	13	2,112	1	0071898
324	12	50x5,0	M12	16,00	349	20	404	375	13	2,436	1	0071939
356		50x5,0	M12	16,00	381	20	436	407	13	2,639	1	0071977
368	14	50x5,0	M12	16,00	393	20	448	419	13	2,715	1	0071979
406*		50x5,0	M12	16,00	431	20	486	457	13	2,957	1	0071993
457*		50x5,0	M12	16,00	492	20	537	508	13	3,281	1	00720091
508*		50x5,0	M12	16,00	533	20	588	559	13	3,605	1	007205082

Connection: Sleeve 1/2"				without sound insulation lining								
Dimension	Material	Closure-screw	max. load	H	A	B	S	D	Weight	Packing	Part-No.	
[mm]	[Inch]	[mm]	F _{max} [kN]	[mm]	[mm]	[mm]	[mm]	[mm]	[kg/pc.]	[pc.]		
64		50x5,0	M12	6,00	89	20	142	113	13	0,779	1	0072502
76	2 ^{1/2}	50x5,0	M12	6,00	101	20	154	125	13	0,855	1	0072507
89	3	50x5,0	M12	6,00	114	20	167	138	13	0,938	1	0072509
108		50x5,0	M12	6,00	133	20	186	157	13	1,059	1	0072514
110		50x5,0	M12	6,00	135	20	188	159	13	1,071	1	0072517
114	4	50x5,0	M12	6,00	139	20	192	163	13	1,097	1	0072519
133		50x5,0	M12	6,00	158	20	211	182	13	1,218	1	0072584
135		50x5,0	M12	6,00	160	20	213	184	13	1,230	1	0072592
140	5	50x5,0	M12	6,00	165	20	218	189	13	1,262	1	0072606
160		50x5,0	M12	6,00	185	20	238	209	13	1,389	1	0072649
165	6	50x5,0	M12	6,00	190	20	243	214	13	1,421	1	0072681
168		50x5,0	M12	6,00	193	20	246	217	13	1,440	1	0072683
194	7	50x5,0	M12	16,00	219	20	272	243	13	1,605	1	0072754
200		50x5,0	M12	16,00	225	20	278	249	13	1,643	1	0072762
210		50x5,0	M12	16,00	235	20	288	259	13	1,707	1	0072791
219	8	50x5,0	M12	16,00	245	20	297	268	13	1,764	1	0072819
267		50x5,0	M12	16,00	292	20	345	316	13	2,069	1	0072892
273	10	50x5,0	M12	16,00	299	20	351	322	13	2,108	1	0072894
324	12	50x5,0	M12	16,00	349	20	402	373	13	2,432	1	0072955
356		50x5,0	M12	16,00	381	20	434	405	13	2,635	1	0072965
368	14	50x5,0	M12	16,00	393	20	446	417	13	2,711	1	0072967

* not certified acc. to RAL-GZ 655-B

■ Pipe clamp Titan HD, unlined

01

Connection: Sleeve 1"				without sound insulation lining								
Dimension		Material	Closure-screw	max. load	H	A	B	S	D	Weight	Packing	Part-No.
[mm]	[Inch]	[mm]		F_{max} [kN]	[mm]	[mm]	[mm]	[mm]	[mm]	[kg/pc.]	[pc.]	
64		50x5,0	M12	6,00	94	25	142	113	13	0,827	1	0074505
76	2 ^{1/2}	50x5,0	M12	6,00	106	25	154	125	13	0,903	1	0074510
89	3	50x5,0	M12	6,00	119	25	167	138	13	0,986	1	0074512
108		50x5,0	M12	6,00	138	25	186	157	13	1,107	1	0074520
110		50x5,0	M12	6,00	140	25	188	159	13	1,119	1	0074522
114	4	50x5,0	M12	6,00	144	25	192	163	13	1,145	1	0074524
133		50x5,0	M12	6,00	163	25	211	182	13	1,266	1	0074587
135		50x5,0	M12	6,00	165	25	213	184	13	1,278	1	0074595
140	5	50x5,0	M12	6,00	170	25	218	189	13	1,310	1	0074609
160		50x5,0	M12	6,00	190	25	238	209	13	1,437	1	0074641
165	6	50x5,0	M12	6,00	195	25	243	214	13	1,469	1	0074684
168		50x5,0	M12	6,00	198	25	246	217	13	1,488	1	0074686
194	7	50x5,0	M12	16,00	224	25	272	243	13	1,653	1	0074757
200		50x5,0	M12	16,00	230	25	278	249	13	1,691	1	0074773
210		50x5,0	M12	16,00	240	25	288	259	13	1,755	1	0074781
219	8	50x5,0	M12	16,00	250	25	297	268	13	1,812	1	0074803
267		50x5,0	M12	16,00	297	25	345	316	13	2,117	1	0074874
273	10	50x5,0	M12	16,00	304	25	351	322	13	2,156	1	0074897
324	12	50x5,0	M12	16,00	354	25	402	373	13	2,480	1	0074939
356		50x5,0	M12	16,00	386	25	434	405	13	2,683	1	0074968
368	14	50x5,0	M12	16,00	398	25	446	417	13	2,759	1	0074970
406*		50x5,0	M12	16,00	436	25	486	457	13	3,001	1	0074992
457*		50x5,0	M12	16,00	487	25	537	508	13	3,325	1	00749995
508*		50x5,0	M12	16,00	538	25	588	559	13	3,649	1	0075012

Connection: Sleeve 1 1/4"				without sound insulation lining								
Dimension		Material	Closure-screw	max. load	H	A	B	S	D	Weight	Packing	Part-No.
[mm]	[Inch]	[mm]		F_{max} [kN]	[mm]	[mm]	[mm]	[mm]	[mm]	[kg/pc.]	[pc.]	
200		50x5,0	M12	16,00	232	27	278	249	13	1,716	1	0063942
210		50x5,0	M12	16,00	242	27	288	259	13	1,780	1	0063947
219	8	50x5,0	M12	16,00	252	27	297	268	13	1,837	1	0063949
267		50x5,0	M12	16,00	299	27	345	316	13	2,142	1	0063960
273	10	50x5,0	M12	16,00	306	27	351	322	13	2,181	1	0063962
324	12	50x5,0	M12	16,00	356	27	402	373	13	2,505	1	0063975
356		50x5,0	M12	16,00	388	27	434	405	13	2,708	1	0063987
368	14	50x5,0	M12	16,00	400	27	446	417	13	2,784	1	0063989
406*		50x5,0	M12	16,00	438	27	486	457	13	3,026	1	0063997
457*		50x5,0	M12	16,00	489	27	537	508	13	3,350	1	0064009
508*		50x5,0	M12	16,00	540	27	588	559	13	3,674	1	0064010

Without connection thread				without sound insulation lining								
Dimension		Material	Closure-screw	max. load	H	A	B	S	D	Weight	Packing	Part-No.
[mm]	[Inch]	[mm]		F_{max} [kN]	[mm]	[mm]	[mm]	[mm]	[mm]	[kg/pc.]	[pc.]	
406*		50x5,0	-	16,00	416	-	486	457	13	2,783	1	0070978
457*		50x5,0	-	16,00	467	-	537	508	13	3,107	1	0070987
508*		50x5,0	-	16,00	519	-	588	559	13	3,431	1	0070995

* not certified acc. to RAL-GZ 655-B

Remark: Determination of max. allowable load according to static methods and breaking loads, considering a max. allowable deformation of 1,5 mm or 2% of max. tensible pipe diameter.

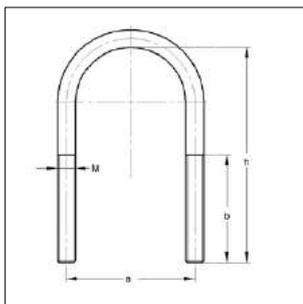
Products awarded with „Gütezeichen Rohrbefestigung“ and subject to external supervision acc. to RAL-GZ 655-B.

* not certified acc. to RAL-GZ 655-B.

U-bolt



U-bolt



G 4940029*

Specification

OD: 21,3 up to 323,9 mm

Thread: M8, M10, M12, M20

- for direct installation of piping onto steel structures
- suitable for sprinkler
- suitable for push-through-assembling into profile rails
- bearing should be used with 2 nuts and 2 washers
- fixed bearing should be used with 4 nuts and 4 washers
- should not be used as fixpoint without required measures

Technical data:

Material: steel
Surface: galvanized¹⁾

Admission:

- *dimension 219,1 mm, M12 guideline VdS-2344 "requirements and testing methods for construction elements", VdS-approval No.: G 4940029
- other dimensions according to VdS-2092 guideline "planning and installation"

¹⁾ U-bolts for outdoor application with Zinc-Nickel-coating see chapter 14

U-bolt differing from DIN 3570

without nuts

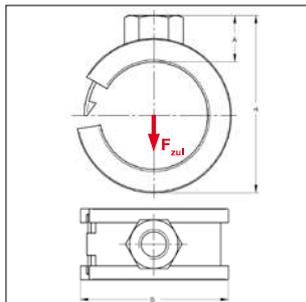
OD	Thread	Overall height	Center distance	Length of thread	Weight	Packing	Part-No.
[mm]	M	h	a	b	[kg/pc.]	[pcs.]	
21,3	M8	80	30	65	0,048	100	0507022
26,9	M8	80	35	65	0,058	100	0507028
33,7	M8	90	42	65	0,066	100	0507035
42,4	M8	100	51	70	0,074	100	0507042
48,3	M8	105	57	70	0,078	100	0507048
60,3	M10	120	71	70	0,141	100	0507060
76,1	M10	135	87	70	0,161	100	0507076
88,9	M10	150	100	70	0,179	50	0507089
108,0	M12	190	121	90	0,325	50	0507108
114,3	M12	195	126	90	0,334	50	0507114
133,0	M12	215	146	90	0,370	25	0507133
139,7	M12	220	152	90	0,387	25	0507140
159,0	M12	240	172	90	0,416	25	0507159
168,3	M12	250	180	90	0,433	25	0507168
219,1*	M12	300	233	95	0,525	25	0507219

U-bolt without nuts according to DIN 3570

273,0	M20	313	302	70	1,663	10	0507273
323,9	M20	364	352	70	1,929	1	0507324

■ Pipe clamp Clipstar, lined

01



Pipe clamp Clipstar, lined

Specification

Closure:	hook closure
Construction method:	one-part
OD:	10 up to 42 mm
Connection:	M8
Sound insulation:	according to DIN 4109

Technical data:

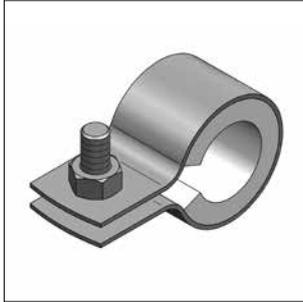
Material:	steel
Material type:	DC01-A
Surface:	galvanized
Sound insulation lining:	rubber TPE
Temperature resistance:	- 35 °C up to + 100 °C
Insulation thickness:	3 mm

Connection: Thread M8

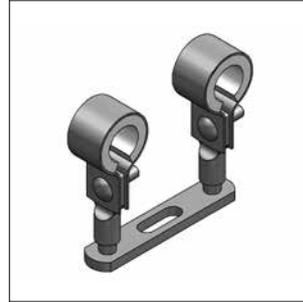
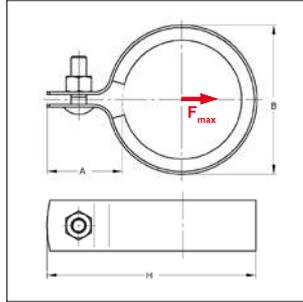
Dimension	Material	A	B	H	with sound insulation lining			Rubber
					max. load F_{max} [kN]	Weight [kg/pc.]	Packing [pcs.]	Part-No.
[mm]	[mm]	[mm]	[mm]	[mm]				
10	16x0,6	10	22	26	0,30	0,013	100	0290106
12	16x0,6	10	23	26	0,30	0,013	100	0290122
15	16x0,6	10	25	30	0,30	0,015	100	0290157
18	16x0,6	11	28	33	0,30	0,016	100	0290181
22	16x0,8	11	31	38	0,40	0,020	100	0290211
28	16x0,8	11	39	44	0,40	0,023	100	0290289
35	20x1,0	11	46	51	0,40	0,036	100	0290351
42	20x1,0	11	55	58	0,40	0,042	100	0290424

Remark: Determination of max. allowable load according to static methods and breaking loads, considering a max. allowable deformation of 1,5 mm or 2% of max. tensible pipe diameter.

Visible pipe clamp, lined



Visible pipe clamp, lined

Option for assembly with
Double holder + Eye nut

Specification

Closure: screwed closure
Construction method: one-part
OD: 15 up to 22 mm
Sound insulation: according to DIN 4109

Accessory: Duplo eye nut

Double holder see chapter 5

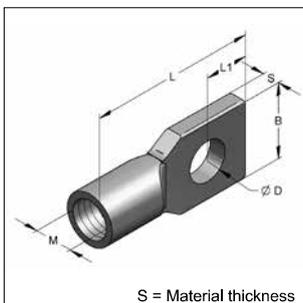
Technical data:

Material: steel
Material type: DC01-A, DD11
Surface: galvanized
Sound insulation lining: rubber TPE
Temperature resistance: - 35 °C up to + 100 °C
Insulation thickness: 5 mm
Colour: white

Visible pipe clamp				with sound insulation lining rubber						white
Dimension		Material	Closure-screw	max. load	A	B	H	Weight	Packing	Part-No.
[mm]	[Inch]	[mm]		F_{max} [kN]	[mm]	[mm]	[mm]	[kg/pc.]	[pcs.]	
15		20x1,0	M6	0,65	33	31	56	0,038	100	0311150
18	3/8	20x1,0	M6	0,65	31	34	57	0,040	100	0311180
22	1/2	20x1,0	M6	0,65	31	38	61	0,044	100	0311220

Remark: Determination of max. allowable load according to static methods and breaking loads, considering a max. allowable deformation of 1,5 mm or 2% of max. tensible pipe diameter.

Duplo eye nut with female thread



S = Material thickness

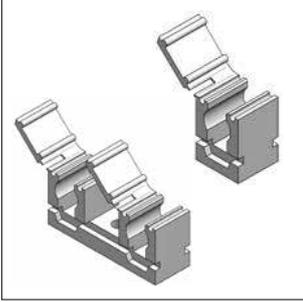
Duplo eye nut with
female thread

Material: cast-zinc
Material type: Z 410
Surface: raw

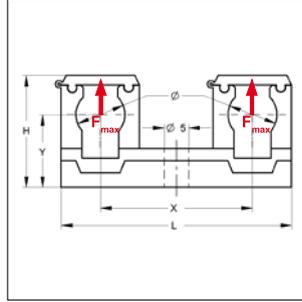
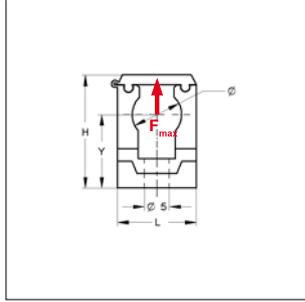
Type	D	L	L1	B	S	Admissibly tensile loading	Weight	Packing	Part-No.
	[mm]	[mm]	[mm]	[mm]	[mm]	[kN]	[kg/pc.]	[pcs.]	
with female thread/M 6	9	38	10	17,5	4	1,0	0,018	100	0350133
with female thread/M 8	9	38	10	17,5	4	2,0	0,017	100	0350141

■ Pipe clip Clipmaster

01



Single- and double clip



Specification

Construction method: single-/ double clip
 OD: 8 up to 35 mm
 Mounting: with wood screws
 DIN 96 Ø 3,5 - 4 mm

Technical data:

Material: Polyamide PA 6
 Surface: weathering- and ageing proof
 Temperature resistance: - 40 °C up to + 70 °C

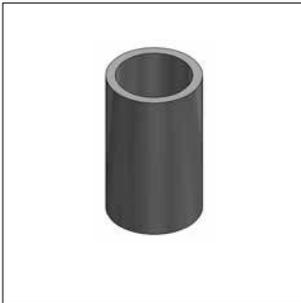
Single clip

OD [mm]	max. load F_{max} [kN]	H [mm]	Measures B [mm]	Y [mm]	Weight [kg/pc.]	Packing [pcs.]	Part-No.
8	0,09	23	16	14	0,004	100	0401080
10	0,25	23	16	15	0,004	100	0401102
12	0,25	23	16	15	0,002	100	0401129
15	0,25	28	20	17	0,005	100	0401153
18	0,35	31	23	19	0,007	100	0401188
22	0,35	35	29	20	0,007	100	0401226
28	0,35	40	35	23	0,010	100	0401285
35	0,35	47	43	26	0,013	100	0401358

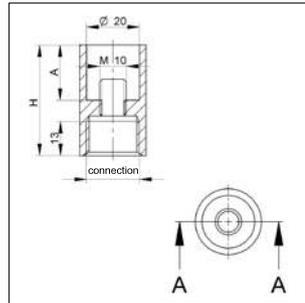
Double clip

OD [mm]	max. load F_{max} [kN]	H [mm]	Measures X [mm]	Y [mm]	L [mm]	Weight [kg/pc.]	Packing [pcs.]	Part-No.
10	0,25	23	31	15	47	0,010	100	0410101
12	0,25	23	32	15	47	0,008	100	0410128
15	0,25	28	36	17	55	0,011	50	0410152
18	0,35	31	39	19	60	0,012	50	0410187
22	0,35	35	45	20	73	0,018	50	0410225

■ Connection adaptor for pipe clamps



Connection adaptor
for pipe clamps



Specification

Field of application: thread adaptor
for pipe clamps
with stepped thread

Technical data:

Material: steel
Surface: galvanized

Suitable for pipe clamps: Trabant and Omnia MB with connection M8/M10

Connection with female thread	Dimension		suitable for nut	Weight [kg/pc.]	Packing [pc.]	Part-No.
	H [mm]	A [mm]				
Sleeve 1/2"	36	15	M8/M10	0,07	1	0830209

Suitable for pipe clamps: Maxima PSM, Omnia MB (132 - 168 mm) and Trabant (121 - 168 mm)

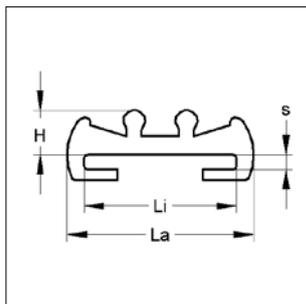
M16	42	21	M10/M12	0,101	1	0830202
Sleeve 1/2"	42	21	M10/M12	0,086	1	0830204

Sound insulation linings

01



Sound absorbing rubber profile



Sound insulation lining black (TPE)

Dimension Li x H [mm]	Li [mm]	Measures La [mm]	s [mm]	Weight [kg/m]	Packing [m]	Part-No.
20 x 4,5	20	26	2	0,100	50 m	720121401
25 x 4,5	25	28	2	0,123	50 m	720126001
20 x 6,0	20	26	2	0,130	50 m	720021801
25 x 6,0	25	28	3	0,164	50 m	720025001
30 x 6,0	30	36	3	0,213	40 m	720030701
35 x 6,0	35	40	4	0,250	40 m	720035801
50 x 6,0	50	56	5	0,341	20 m	720150801

Sound insulation lining red (Silicone)

20 x 6,0	20	26	2	0,154	50 m	7241208
25 x 6,0	25	28	3	0,174	50 m	7241259
30 x 6,0	30	36	3	0,226	50 m	7241305
35 x 6,0	35	40	4	0,265	50 m	7241356
50 x 6,0	50	56	5	0,363	50 m	7241518

Technical data of MEFA sound insulation lining

MEFA pipe clamps with sound absorbing lining comply with DIN 4109. Test certificates on request.

	Rubber	Rubber	Silicone
Material	Elastomer EPDM	Elastomer TPE	Silicone
Shore-hardness(DIN 53505)	50 ± 5° Shore	60 ± 5° Shore	60 ± 5 Shore
Tensile strength	-	-	800 N/cm ²
Ageing, weather and ozon resistance	acc. to DIN 53509 and 53508	acc. to DIN 53509 and 53508	acc. to DIN 53509 and 53508
Temperature resistance	- 35 °C up to + 110 °C	- 35 °C up to + 110 °C	- 50 °C up to + 250 °C
Chemical resistance	Diluted acid and alkaline solutions, hot water, alcoholic solutions	Diluted acid and alkaline solutions, hot water, alcoholic solutions	Naturals fats, glycerine, ethyl alcohol, alcoholic solutions
Chemical unstable	Hot oils and fats, fuels, hydrocarbons - further information on request -	Hot oils and fats, fuels, hydrocarbons - further information on request -	Hot oils and fats, highly concentrated acid and alkaline solutions, hydrocarbons
fire performance (DIN 4102)	silicone-free B2 (not burning, dropping off)	silicone-free B2 (not burning, dropping off)	B2 (not burning, dropping off)

* also available with rubber flame retardant (B1) or glass fiber lining (up to + 450°C)