

## MEFA mounting systems for ventilation



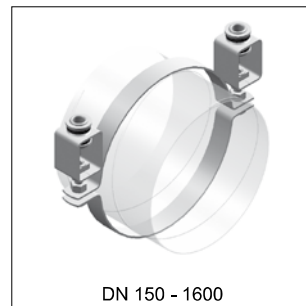
Ventilation pipe clamp VENTUS  
Page 8/2



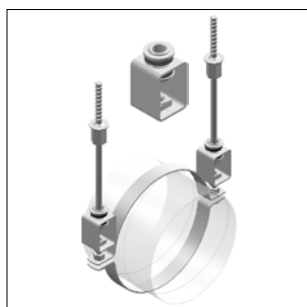
Ventilation pipe clamp lined  
Page 8/3



Ventilation pipe clamp  
Page 8/5



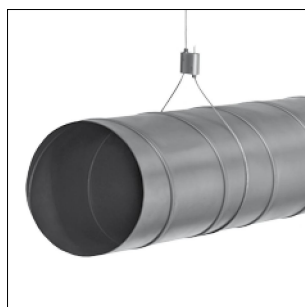
Ventilation pipe clamp DHL  
Page 8/7



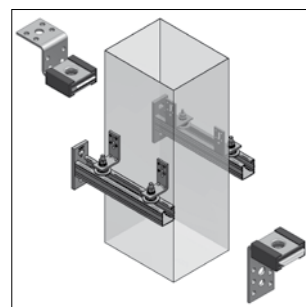
Sound absorption element DHL  
Page 8/8



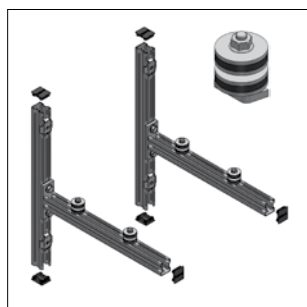
Ducting strap  
Page 8/8



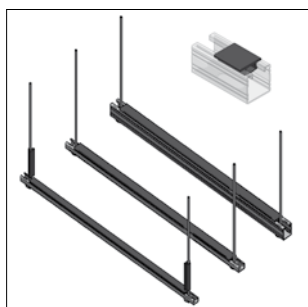
Wire rope L-Fix  
Page 8/9



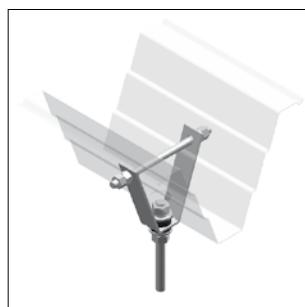
Duct holder  
Page 8/11



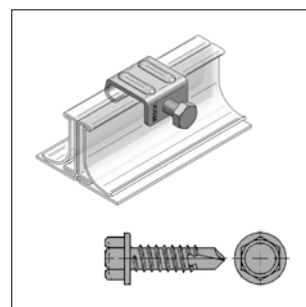
Console-set, Sound absorption element  
Page 8/13



C-profile linings, TPE  
Page 8/14



Trapeze hanger  
Page 8/15



Duct clamp, Self-drilling screw  
Page 8/16



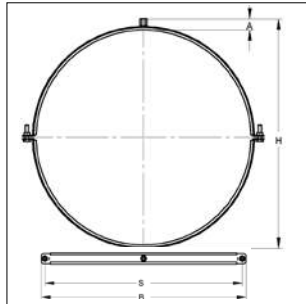
Duct sealing tape, Cold shrink tape  
Page 8/17



Duct sealing compound  
Page 8/17

**i** Tightening torque of locking screws on pipe clamps see chapter 15.

## VENTUS, ventilation pipe clamp



VENTUS, ventilation pipe clamp

### Specification:

Closure:	closure-screw
Construction:	two-part
Nominal width [DN]:	80 up to 630
Connection:	thread M8, thread M8/M10
Sound insulation:	for DIN 4109

### Technical data:

Material:	steel
Material type:	S235JR
Surface:	galvanized
Sound insulation:	EPDM lining
Temperature resistance:	- 35 °C up to + 100 °C
Insulation thickness:	4,5 mm

### Connection: Thread M8, thread M8/M10

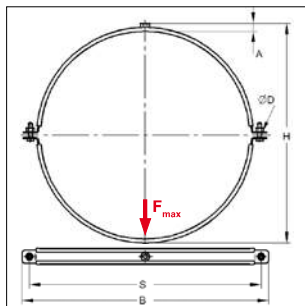
### with sound insulation lining EPDM

Dimension [DN]	OD [mm]	Material [mm]	Thread	H [mm]	A [mm]	B [mm]	S [mm]	max. load [kN]	Weight [kg/pc.]	Packing [pcs.]	Part-No.
80	84	20 x 1,5	M8	102	15	127	109	0,75	0,12	50	0449931080
100	105	20 x 1,5	M8	122	15	147	130	0,75	0,14	50	0449931100
125	130	20 x 1,5	M8	147	15	173	155	0,75	0,16	50	0449931125
140	145	20 x 1,5	M8	162	15	188	170	0,75	0,18	25	0449931140
150	155	20 x 1,5	M8	172	15	198	180	0,75	0,19	25	0449931150
160	165	20 x 1,5	M8	182	15	208	190	0,75	0,20	25	0449931160
180	185	20 x 1,5	M8	202	15	228	210	0,75	0,22	25	0449931180
200	205	25 x 1,5	M8	222	15	248	230	1,00	0,24	25	0449931200
224	229	25 x 1,5	M8	248	16	281	263	1,00	0,36	10	0449931224
250	255	25 x 1,5	M8	274	16	307	289	1,00	0,39	10	0449931250
280	285	25 x 1,5	M8	304	16	337	319	1,00	0,43	10	0449931280
300	307	25 x 1,5	M8	325	16	358	340	1,00	0,45	10	0449931300
315	322	25 x 1,5	M8	340	16	373	355	1,00	0,47	10	0449931315
355	362	25 x 1,5	M8	380	16	413	395	1,00	0,52	10	0449931355
400	407	25 x 1,5	M8/M10	433	24	458	440	1,00	0,59	10	0449932400
450	457	25 x 1,5	M8/M10	483	24	508	490	1,00	0,65	10	0449932450
500	507	25 x 2,5	M8/M10	535	25	560	542	1,50	1,09	10	0449932500
560	567	25 x 2,5	M8/M10	595	25	620	602	1,50	1,21	10	0449932560
600	607	25 x 2,5	M8/M10	635	25	660	642	1,50	1,28	10	0449932600
630	639	25 x 2,5	M8/M10	665	25	690	672	1,50	1,35	10	0449932630

## Ventilation pipe clamp, lined



Ventilation pipe clamp,  
lined



### Specification:

Closure: nut / closure-screw  
 Construction: two-part  
 Nominal width [DN]: 71 up to 1250  
 Connection: thread M8, M10, without connection  
 Sound insulation: according to DIN 4109

### Technical data:

Material: steel  
 Material type: S235JR  
 Surface: galvanized  
 Sound insulation: Rubber TPE  
 Temperature resistance: - 35 °C up to + 100 °C  
 Insulation thickness: 6 mm

### Connection: thread M8 with sound insulation lining rubber

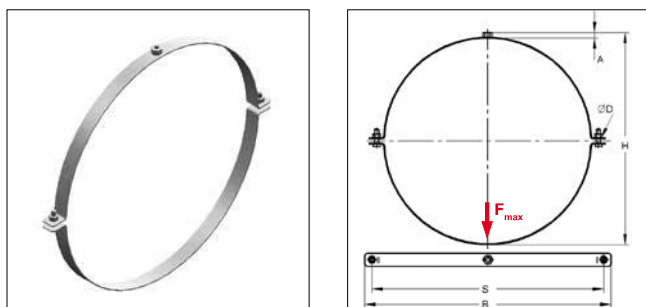
Dimension [DN]	Material [mm]	Closure-screw	max. load $F_{max}$ [kN]	H [mm]	A [mm]	B [mm]	S [mm]	Ø D [mm]	Weight [kg/pc.]	Packing [pc.]	Part-No.
71	20x2,0	M8	0,8	103	20	145	120	8,5	0,189	1	0430711
80	20x2,0	M8	0,8	112	20	154	129	8,5	0,202	1	0430801
90	20x2,0	M8	0,8	122	20	164	139	8,5	0,216	1	0430901
100	20x2,0	M8	0,8	133	20	175	150	8,5	0,231	1	0431001
112	20x2,0	M8	0,8	145	20	187	162	8,5	0,248	1	0431121
125	20x2,0	M8	0,8	158	20	200	175	8,5	0,266	1	0431251
140	20x2,0	M8	0,8	173	20	215	190	8,5	0,287	1	0431401
150	20x2,0	M8	0,8	183	20	225	200	8,5	0,301	1	0431501
160	20x2,0	M8	0,8	193	20	235	210	8,5	0,315	1	0431601
180	20x2,5	M8	1,5	213	20	255	230	8,5	0,414	1	0431801
200	20x2,5	M8	1,5	233	20	275	250	8,5	0,449	1	0432001
224	20x2,5	M8	1,5	257	20	299	274	8,5	0,491	1	0432241
250	20x2,5	M8	1,5	283	20	325	300	8,5	0,620	1	0432501
280	25x2,5	M8	2,0	315	21	356	331	8,5	0,682	1	0432801
300	25x2,5	M8	2,0	337	21	378	353	8,5	0,727	1	0433001
315	25x2,5	M8	2,0	352	21	393	368	8,5	0,772	1	0433151
355	25x2,5	M8	2,0	392	21	433	408	8,5	0,840	1	0433551
400	25x2,5	M8	2,0	437	21	478	453	8,5	0,949	1	0434001
450	25x2,5	M8	2,0	487	21	528	503	8,5	1,035	1	0434501
500	25x2,5	M8	2,0	537	21	578	553	8,5	1,138	1	0435001
560	25x2,5	M8	2,0	597	21	638	613	8,5	1,262	1	0435601

## Ventilation pipe clamp, lined

Connection: Thread M10			with sound insulation lining rubber								
Dimension	Material	Closure-screw	max. load	H	A	B	S	Ø D	Weight	Packing	Part-No.
[DN]	[mm]		F <sub>max</sub> [kN]	[mm]	[mm]	[mm]	[mm]	[mm]	[kg/pc.]	[pc.]	
71	20x2,0	M8	0,8	105	22	145	120	8,5	0,189	1	0430712
80	20x2,0	M8	0,8	114	22	154	129	8,5	0,202	1	0430802
90	20x2,0	M8	0,8	124	22	164	139	8,5	0,216	1	0430902
100	20x2,0	M8	0,8	135	22	175	150	8,5	0,231	1	0431002
112	20x2,0	M8	0,8	147	22	187	162	8,5	0,248	1	0431122
125	20x2,0	M8	0,8	160	22	200	175	8,5	0,266	1	0431252
140	20x2,0	M8	0,8	175	22	215	190	8,5	0,287	1	0431402
150	20x2,0	M8	0,8	185	22	225	200	8,5	0,301	1	0431502
160	20x2,0	M8	0,8	200	22	235	210	8,5	0,315	1	0431602
180	20x2,5	M8	1,5	215	22	255	230	8,5	0,414	1	0431802
200	20x2,5	M8	1,5	235	22	275	250	8,5	0,449	1	0432002
224	20x2,5	M8	1,5	259	22	299	274	8,5	0,491	1	0432242
250	20x2,5	M8	1,5	285	22	325	300	8,5	0,620	1	0432502
280	25x2,5	M8	2,0	317	23	356	331	8,5	0,682	1	0432802
300	25x2,5	M8	2,0	332	23	378	353	8,5	0,727	1	0433002
315	25x2,5	M8	2,0	354	23	393	368	8,5	0,758	1	0433152
355	25x2,5	M8	2,0	394	23	433	408	8,5	0,840	1	0433552
400	25x2,5	M8	2,0	439	23	478	453	8,5	0,932	1	0434002
450	25x2,5	M8	2,0	489	23	528	503	8,5	1,035	1	0434502
500	25x2,5	M8	2,0	539	23	578	553	8,5	1,138	1	0435002
560	25x2,5	M8	2,0	599	23	638	613	8,5	1,262	1	0435602

Without connection, without closure-screws			with sound insulation lining rubber								
224	20x2,5	for M8	1,5	245	-	299	274	8,5	0,440	1	0432240
250	20x2,5	for M8	1,5	271	-	325	300	8,5	0,560	1	0432500
280	25x2,5	for M8	2,0	303	-	356	331	8,5	0,622	1	0432800
300	25x2,5	for M8	2,0	325	-	378	353	8,5	0,667	1	0433000
315	25x2,5	for M8	2,0	340	-	393	368	8,5	0,698	1	0433150
355	25x2,5	for M8	2,0	380	-	433	408	8,5	0,780	1	0433550
400	25x2,5	for M8	2,0	425	-	478	453	8,5	0,872	1	0434000
450	25x2,5	for M8	2,0	475	-	528	503	8,5	0,975	1	0434500
500	25x2,5	for M8	2,0	525	-	578	553	8,5	1,078	1	0435000
560	25x2,5	for M8	2,0	585	-	638	613	8,5	1,202	1	0435600
600	25x2,5	for M8	2,0	625	-	678	653	8,5	1,255	1	0436000
630	25x3,0	for M10	2,0	657	-	711	686	10,5	1,552	1	0436300
710	25x3,0	for M10	2,0	737	-	791	766	10,5	1,755	1	0437100
800	25x3,0	for M10	2,0	828	-	882	857	10,5	1,965	1	0438000
900	30x3,0	for M10	2,0	928	-	982	957	10,5	2,673	1	0439000
1000	30x3,0	for M10	2,0	1030	-	1084	1059	10,5	2,961	1	0440000
1120	30x3,0	for M10	2,0	1150	-	1204	1179	10,5	3,392	1	0441200
1250	30x3,0	for M10	2,0	1280	-	1334	1309	10,5	3,776	1	0442500

## ■ Ventilation pipe clamp



Ventilation pipe clamp

### Specification:

Closure:	nut / closure-screw
Construction:	two-part
Nominal width [DN]:	71 up to 1250
Connection:	thread M8, M10, without connection

### Technical data:

Material:	steel
Material type:	S235JR
Surface:	galvanized

Connection: thread M8									without sound insulation		
Dimension	Material	Closure-screw	max. load	H	A	B	S	Ø D	Weight	Packing	Part-No.
[DN]	[mm]		$F_{max}$ [kN]	[mm]	[mm]	[mm]	[mm]	[mm]	[kg/pc.]	[pc.]	
71	20x2,0	M8	1,5	91	14	133	108	8,5	0,151	1	0430721
80	20x2,0	M8	1,5	100	14	142	117	8,5	0,160	1	0430811
90	20x2,0	M8	1,5	110	14	152	127	8,5	0,170	1	0430911
100	20x2,0	M8	1,5	121	14	163	138	8,5	0,180	1	0431011
112	20x2,0	M8	1,5	133	14	175	150	8,5	0,192	1	0431131
125	20x2,0	M8	1,5	146	14	188	163	8,5	0,205	1	0431261
140	20x2,0	M8	1,5	161	14	203	178	8,5	0,220	1	0431411
150	20x2,0	M8	1,5	171	14	213	188	8,5	0,230	1	0431511
160	20x2,0	M8	1,5	181	14	223	198	8,5	0,240	1	0431611
180	20x2,5	M8	2,0	201	14	243	218	8,5	0,310	1	0431811
200	20x2,5	M8	2,0	221	14	263	238	8,5	0,334	1	0432011
224	20x2,5	M8	2,0	245	14	287	262	8,5	0,364	1	0432251
250	20x2,5	M8	2,0	271	14	313	288	8,5	0,396	1	0432511
280	25x2,5	M8	2,0	302	15	345	320	8,5	0,526	1	0432811
300	25x2,5	M8	2,0	324	15	367	342	8,5	0,560	1	0433011
315	25x2,5	M8	2,0	339	15	382	357	8,5	0,583	1	0433161
355	25x2,5	M8	2,0	379	15	422	397	8,5	0,662	1	0433561
400	25x2,5	M8	2,0	424	15	467	442	8,5	0,714	1	0434011
450	25x2,5	M8	2,0	474	15	517	492	8,5	0,791	1	0434511
500	25x2,5	M8	2,0	524	15	567	542	8,5	0,868	1	0435011
560	25x2,5	M8	2,0	584	15	627	602	8,5	0,961	1	0435611

## Ventilation pipe clamp

Connection: Thread M10										without sound insulation	
Dimension	Material	Closure-screw	max. load F <sub>max</sub> [kN]	H [mm]	A [mm]	B [mm]	S [mm]	Ø D [mm]	Weight [kg/pc.]	Packing [pc.]	Part-No.
71	20x2,0	M8	1,5	93	16	133	108	8,5	0,151	1	0430722
80	20x2,0	M8	1,5	102	16	142	117	8,5	0,160	1	0430812
90	20x2,0	M8	1,5	112	16	152	127	8,5	0,170	1	0430912
100	20x2,0	M8	1,5	123	16	163	138	8,5	0,180	1	0431012
112	20x2,0	M8	1,5	135	16	175	150	8,5	0,192	1	0431132
125	20x2,0	M8	1,5	148	16	188	163	8,5	0,205	1	0431262
140	20x2,0	M8	1,5	163	16	203	178	8,5	0,220	1	0431412
150	20x2,0	M8	1,5	173	16	213	188	8,5	0,230	1	0431512
160	20x2,0	M8	1,5	183	16	223	198	8,5	0,240	1	0431612
180	20x2,5	M8	2,0	203	16	243	218	8,5	0,310	1	0431812
200	20x2,5	M8	2,0	223	16	263	238	8,5	0,334	1	0432012
224	20x2,5	M8	2,0	247	16	287	262	8,5	0,364	1	0432252
250	20x2,5	M8	2,0	273	16	313	288	8,5	0,396	1	0432512
280	25x2,5	M8	2,0	305	17	345	320	8,5	0,526	1	0432812
300	25x2,5	M8	2,0	327	17	367	342	8,5	0,560	1	0433012
315	25x2,5	M8	2,0	342	17	382	357	8,5	0,583	1	0433162
355	25x2,5	M8	2,0	382	17	422	397	8,5	0,645	1	0433562
400	25x2,5	M8	2,0	427	17	467	442	8,5	0,714	1	0434012
450	25x2,5	M8	2,0	477	17	517	492	8,5	0,791	1	0434512
500	25x2,5	M8	2,0	527	17	567	542	8,5	0,868	1	0435012
560	25x2,5	M8	2,0	587	17	627	602	8,5	0,961	1	0435612

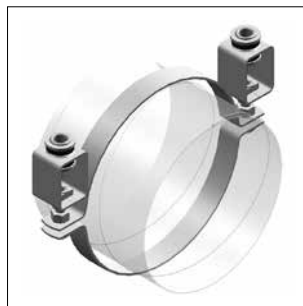
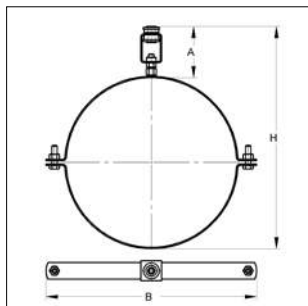
Without connection, without closure-screws										without sound insulation	
71	20x2,0	für M8	1,5	79	-	133	108	8,5	0,091	1	0430720
80	20x2,0	für M8	1,5	88	-	142	117	8,5	0,100	1	0430810
90	20x2,0	für M8	1,5	98	-	152	127	8,5	0,110	1	0430910
100	20x2,0	für M8	1,5	109	-	163	138	8,5	0,120	1	0431010
112	20x2,0	für M8	1,5	121	-	175	150	8,5	0,132	1	0431130
125	20x2,0	für M8	1,5	134	-	188	163	8,5	0,145	1	0431260
140	20x2,0	für M8	1,5	149	-	203	178	8,5	0,160	1	0431410
150	20x2,0	für M8	1,5	159	-	213	188	8,5	0,170	1	0431510
160	20x2,0	für M8	1,5	169	-	223	198	8,5	0,180	1	0431610
180	20x2,5	für M8	2,0	189	-	243	218	8,5	0,250	1	0431810
200	20x2,5	für M8	2,0	209	-	263	238	8,5	0,274	1	0432010
224	20x2,5	für M8	2,0	233	-	287	262	8,5	0,304	1	0432250
250	20x2,5	für M8	2,0	259	-	313	288	8,5	0,336	1	0432510
280	25x2,5	für M8	2,0	291	-	345	320	8,5	0,466	1	0432810
300	25x2,5	für M8	2,0	313	-	367	342	8,5	0,500	1	0433010
315	25x2,5	für M8	2,0	328	-	382	357	8,5	0,523	1	0433160
355	25x2,5	für M8	2,0	368	-	422	397	8,5	0,585	1	0433560
400	25x2,5	für M8	2,0	413	-	467	442	8,5	0,676	1	0434010
450	25x2,5	für M8	2,0	463	-	517	492	8,5	0,731	1	0434510
500	25x2,5	für M8	2,0	513	-	567	542	8,5	0,808	1	0435010
560	25x2,5	für M8	2,0	573	-	627	602	8,5	0,928	1	0435610
600	25x2,5	für M8	2,0	610	-	665	640	8,5	0,955	1	0436010
630	25x3,0	für M10	2,0	645	-	699	674	10,5	1,245	1	0436310
710	25x3,0	für M10	2,0	725	-	779	754	10,5	1,396	1	0437110
800	25x3,0	für M10	2,0	816	-	870	845	10,5	1,562	1	0438010
900	30x3,0	für M10	2,0	916	-	970	945	10,5	2,102	1	0439010
1000	30x3,0	für M10	2,0	1018	-	1072	1047	10,5	2,329	1	0440010
1120	30x3,0	für M10	2,0	1138	-	1192	1167	10,5	2,600	1	0441210
1250	30x3,0	für M10	2,0	1322	-	1292	1297	10,5	2,895	1	0442510



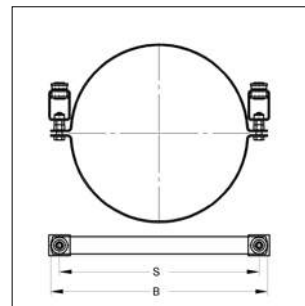
## Ventilation pipe clamp with sound absorption element



Ventilation pipe clamp with sound absorption element DHL



Ventilation pipe clamp with two sound absorption elements DHL



### Specification:

Closure: nut / closure-screw  
 Construction: two-part  
 Nominal width [DN]: 150 up to 1600  
 Connection: thread M8, M10  
 Sound insulation: according to DIN 4109

### Technical data:

Material: steel  
 Material type: S235JR  
 Surface: galvanized  
 Sound insulation: SBR lining  
 Temperature resistance: - 35 °C up to + 100 °C

**Scope of delivery 1 x DHL:** threaded pin M8/20 1 piece  
 nut M8 1 piece  
 sound absorption element DHL M8, pre-assembled 1 piece  
**Scope of delivery 2 x DHL:** closure-screws M8/35 M10/35 2 pieces  
 nuts M8, M10 (from DN 900) 4 pieces  
 sound absorption elements DHL M8/M10, enclosed 2 pieces



### With 1 sound absorption element DHL

Dimension [DN]	OD [mm]	Material [mm]	max. load [kN]	H [mm]	A [mm]	B [mm]	S [mm]	Weight [kg/pc.]	Packing [pc.]	Part-No.
150	155	20x2,0	1,5	237,0	80	213	-	0,339	1	0448150
160	165	20x2,0	1,5	247,0	80	223	-	0,349	1	0448160
180	185	20x2,5	2,0	267,5	80	243	-	0,422	1	0448180
200	205	20x2,5	2,0	287,5	80	263	-	0,448	1	0448200
224	229	20x2,5	2,0	311,5	80	287	-	0,478	1	0448224
250	255	20x2,5	2,0	337,5	80	313	-	0,510	1	0448250
280	285	25x2,5	2,0	367,5	80	345	-	0,646	1	0448280
300	307	25x2,5	2,0	389,5	80	367	-	0,676	1	0448300
315	322	25x2,5	2,0	404,5	80	382	-	0,700	1	0448315
355	362	25x2,5	2,0	444,5	80	422	-	0,762	1	0448355
400	407	25x2,5	2,0	489,5	80	467	-	0,834	1	0448400
450	457	25x2,5	2,0	539,5	80	517	-	0,915	1	0448450
500	507	25x2,5	2,0	589,5	80	567	-	0,992	1	0448500
560	567	25x2,5	2,0	649,5	80	627	-	1,086	1	0448560

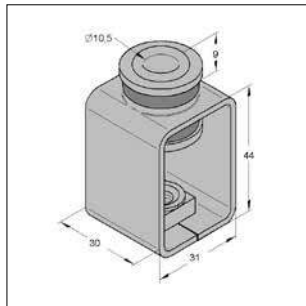
### With 2 sound absorption elements DHL

600	609	25x2,5	2,0	-	-	671	640	1,176	1	0448600
630	639	25x3,0	2,0	-	-	705	674	1,412	1	0448630
710	719	25x3,0	2,0	-	-	785	754	1,586	1	0448710
800	810	25x3,0	2,0	-	-	876	845	1,774	1	0448800
900	910	30x3,0	2,0	-	-	922	891	2,318	1	0448909
1000	1012	30x3,0	2,0	-	-	1078	1047	2,558	1	0448910
1120	1132	30x3,0	2,0	-	-	1198	1167	2,830	1	0448911
1250	1262	30x3,0	2,0	-	-	1298	1267	3,124	1	0448912
1400	1412	30x3,0	2,0	-	-	1478	1447	3,448	1	0448914
1600	1612	30x3,0	2,0	-	-	1678	1647	3,904	1	0448916

## ■ Sound absorption element DHL



Ventilation pipe clamp with sound absorption element DHL



Sound absorption element DHL



**Specification:**

Connection: for M8, M10  
 Sound insulation: according to DIN 4109

**Technical data:**

Material: steel  
 Material type: S235JR  
 Surface: galvanized  
 Sound insulation: SBR lining  
 Temperature resistance: - 35 °C up to + 100 °C

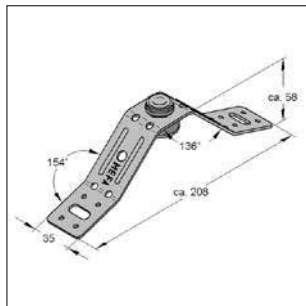
Identification	Thread	max. load [kN]	Weight [kg/pc.]	Packing [pcs.]	Part-No.
Sound absorption element DHL	M8	2,5	0,090	50	0783301
Sound absorption element DHL	M10	3,0	0,096	50	0783302

## ■ Ducting strap with sound absorption

08



Ducting strap with sound absorption with ventilation pipe



Ducting strap with sound absorption



**Specification:**

Connection: for M8, M10  
 Sound insulation: according to DIN 4109

**Technical data:**

Material: steel  
 Material type: S235JR  
 Surface: galvanized  
 Sound insulation: SBR lining  
 Temperature resistance: - 35 °C up to + 100 °C

Identification	Material [mm]	max. load [kN]	Weight [kg/pc.]	Packing [pcs.]	Part-No.
Ducting strap with sound absorption	35 x 2,0	0,9	0,151	50	9998349



## ■ Wire rope L-Fix thread



Wire rope L-Fix thread  
set incl. wire rope and lock

**Specification:**

for fixing in impact anchors, threaded sleeves,  
MEFA-profile rails with STEX threaded plates

Scope of supply: Set incl. wire rope  
and lock

Remark: Loading data with  
safety factor 5:1

\* other wire rope lengths on demand

**Technical data:**

Material wire rope: steel  
Surface wire rope: galvanized  
Material lock: aluminium

Identification	Thread	Wire-Ø [mm]	Length Thread [mm]	Length* [m]	max. load F [kN]	Weight [kg/pc.]	Packing [pcs.]	Part-No.
<b>L-Fix thread</b>	M8	2,5	40	3	0,82	0,121	10	05985782

## ■ Wire rope L-Fix loop



Wire rope L-Fix loop  
set incl. wire rope and lock

**Specification:**

for looping around girder structures  
of steel, wood, concrete

Scope of supply: Set incl. wire rope  
and lock

Remark: Loading data with  
safety factor 5:1

\* other wire rope lengths on demand

**Technical data:**

Material wire rope: steel  
Surface wire rope: galvanized  
Material lock: aluminium

Identification	Wire-Ø [mm]	Length [m]	max. load F [kN]	Weight [kg/pc.]	Packing [pcs.]	Part-No.
<b>L-Fix loop</b>	1,5	3	0,32	0,041	10	05985770
<b>L-Fix loop</b>	2,5	3	0,82	0,092	10	05985774

08

**Remark:**

Wire rope L-Fix only for static loads.  
Do not use for lifting equipment!

## Wire rope L-Fix lock



Wire rope L-Fix lock

**Specification:**

- fast tool-free suspension,
- flexible, stepless height adjustment,
- particularly advantageous for inclined ceilings

**Technical data:**

Material: aluminium

Remark: Loading data with safety factor 5:1

\* can also be used for rope  $\varnothing$ -1,5 mm

Identification	max. load F [kN]	Weight [kg/pc.]	Packing [pcs.]	Part-No.
L-Fix lock for wire rope- $\varnothing$ 1,5 mm	0,32	0,008	50	05985762
L-Fix lock for wire rope- $\varnothing$ 2,5 mm*	0,82	0,018	50	05985763

## Wire rope L-Fix spool



Wire rope L-Fix spool

**Specification:**

to create individual rope lengths

**Technical data:**

Material wire rope: steel  
Surface wire rope: galvanized

Scope of supply: Wire rope 150 m

Remark: Loading data with safety factor 5:1

Identification	Wire- $\varnothing$ [mm]	Length [m]	max. load F [kN]	Weight [kg/pc.]	Packing [pc.]	Part-No.
L-Fix spool	1,5	150	0,32	1,520	1	05985764
L-Fix spool	2,5	150	0,82	3,940	1	05985765

## Wire rope L-Fix cutter



Wire rope L-Fix cutter

**Specification:**

for easy separation of steel galvanized wire ropes or stainless steel up to  $\varnothing$  3 mm

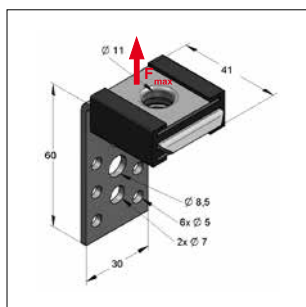
**Technical data:**

Material: steel  
Surface: the handle is rubber lined

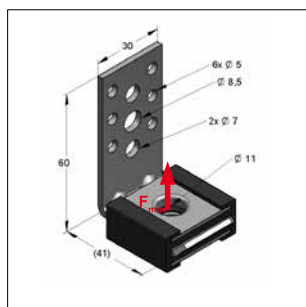
- no splitting of wire ends when cutting
- minimal effort due to large leverage
- ergonomic handle and opening spring for easy work
- look hook for safe transport

Identification	Weight [kg/pc.]	Packing [pc.]	Part-No.
L-Fix cutter	0,275	1	05985767

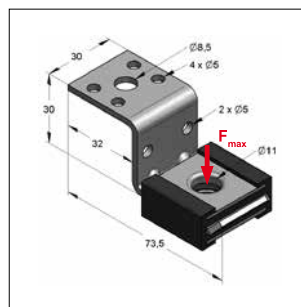
## Duct holder soundproofed



Duct holder L hanging



Duct holder L standing



Duct holder Z hanging



### Specification:

Application area: mounting of ventilation ducts  
 Connection: threaded rod M8, M10  
 Sound insulation: according to DIN 4109

### Technical data:

Material: steel  
 Material type: DC01  
 Surface: galvanized  
 Sound insulation: EPDM lining  
 Temperature resistance: - 35 °C up to + 100 °C

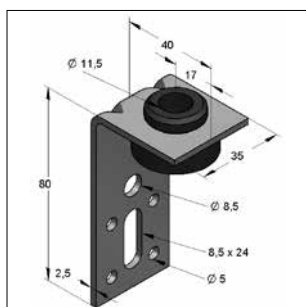
### Duct holder L

Identification	Length [mm]	Height [mm]	Sound absorption elements	Material [mm]	max. load		Weight [kg/pc.]	Packing [pcs.]	Part-No.
					F <sub>max</sub> hanging [kN]	F <sub>max</sub> standing [kN]			
Duct holder L	41,0	60,0	stuck	30 x 2,5	0,7	0,5	0,080	50	05900200

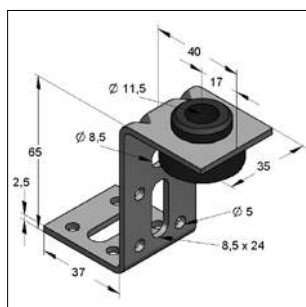
### Duct holder Z

Duct holder Z	73,5	30,0	stuck	30 x 2,5	0,7	-	0,082	50	05900280
---------------	------	------	-------	----------	-----	---	-------	----	----------

## Duct holder plugged, soundproofed



L-duct holder



Z-duct holder



### Specification:

Application area: mounting of ventilation ducts  
 Connection: threaded rod M8, M10  
 Sound insulation: according to DIN 4109

### Technical data:

Material: steel  
 Material type: S235JR  
 Surface: galvanized  
 Sound insulation: SBR lining  
 Temperature resistance: - 35 °C up to + 100 °C

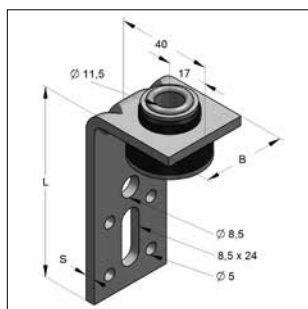
### L-duct holder

Identification	Length [mm]	Material [mm]	max. load [kN]	Weight [kg/pc.]	Packing [pcs.]	Part-No.

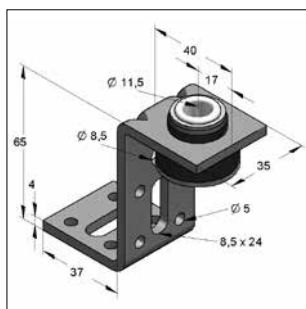
### Z-duct holder

SD-ZL	65	35 x 2,5	0,3	0,094	50	0590027
-------	----	----------	-----	-------	----	---------

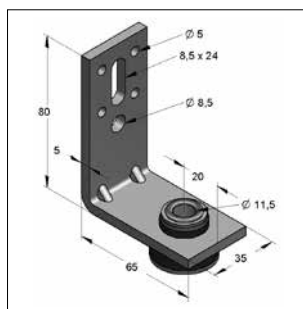
## Duct holder riveted, soundproofed



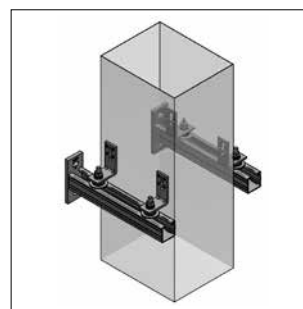
duct holder SD-LLN



Z-duct holder



L-duct holder  
for riser



Ventilation duct with  
duct holder

**Remark:**

Duct holder type SD-LSK has been especially designed for riser. The duct holder SD-LSK can bear loads up to max. 3,2 kN in case of 4 mounted duct holders at every mounting plane.



**Specification:**

Application area: mounting of ventilation ducts  
 Connection: threaded rod M8, M10  
 Sound insulation: according to DIN 4109

**Technical data:**

Material: steel  
 Material type: S235JR  
 Surface: galvanized  
 Sound insulation: SBR lining  
 Temperature resistance: - 35 °C up to + 100 °C

**L-duct holder**

Identification	Length L [mm]	Sound absorption element	Material B x S [mm]	max. load [kN]	Weight [kg/pc.]	Packing [pcs.]	Part-No.
<b>SD-LSN</b>	<b>80</b>	riveted	35 x 4,0	1,8	0,135	50	0590011
<b>SD-LLN</b>	<b>165</b>	riveted	35 x 2,5	0,9	0,159	50	9998373
<b>SD-LLN</b>	<b>255</b>	riveted	35 x 2,5	0,9	0,221	50	9998372

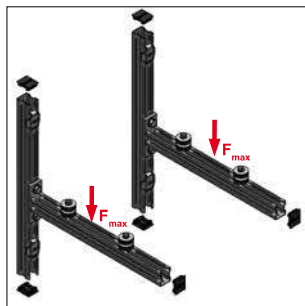
**Z-duct holder**

<b>SD-ZSN</b>	<b>65</b>	riveted	35 x 4,0	1,8	0,131	50	9998370
---------------	-----------	---------	----------	-----	-------	----	---------

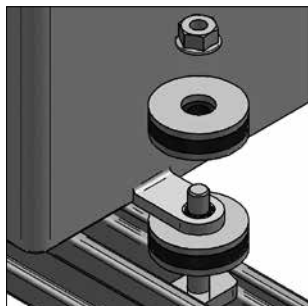
**L-duct holder for riser**

<b>SD-LSK</b>	<b>80</b>	riveted	35 x 5,0	0,8	0,175	50	9998376
---------------	-----------	---------	----------	-----	-------	----	---------

## ■ Console-set, soundproofed



Console-set soundproofed



Insulation element, mounted



### Specification:

Application area: mounting of air conditioning units  
 Sound insulation: according to DIN 4109

### Scope of delivery:

Stex consoles 35/42/1,5 2 pieces  
 sound absorption elements\*\* 4 pieces  
 rail sections each 525 mm profile 35/42 2 pieces  
 profile holders 4 pieces  
 protecting caps 35/42 6 pieces  
 threaded plates 4 pieces  
 washers DIN EN ISO 7089 4 pieces  
 hexagon screws DIN EN ISO 4017 4 pieces

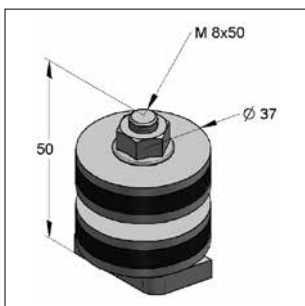
### Technical data:

Material: steel  
 Material type: S235JR  
 Surface: galvanized  
 Sound insulation: SBR lining  
 Temperature resistance: - 35 °C up to + 100 °C

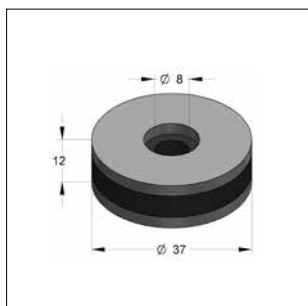
**Remark:** \* max. allowable load per cantilever. Differing load situation see on page 2/6  
 \*\* Console-set without insulating elements available on demand.

Identification	Length [mm]	max. load* F <sub>max</sub> [kN]	maximum total load [kN]	Stex	Weight [kg/pc.]	Packing [pc.]	Part-No.
<b>Console-set 1</b>	<b>450</b>	1,39	2,78	35/42	4,76	1	0813500450
<b>Console-set 2</b>	<b>525</b>	1,19	2,38	35/42	5,00	1	0813500526
<b>Console-set 3</b>	<b>600</b>	1,04	2,08	35/42	5,25	1	0813500600

## ■ Sound absorption element



Sound absorption element with hammer head



Insulation element, single



### Specification:

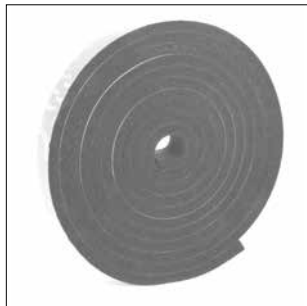
Application area: sound absorption element for direct mounting on consoles C for noise decoupled mounting  
 Load capacity: 1,3 kN (at deformation 1 mm)  
 Sound insulation: according to DIN 4109

### Technical data:

Material: steel  
 Material type: S235JR  
 Surface: galvanized  
 Sound insulation: SBR lining  
 Shore hardness (DIN 53505): 60 ± 5° Shore  
 Temperature resistance: - 35 °C up to + 100 °C

Identification	for C-Profile	Hammer head	Weight [kg/pc.]	Packing [pc.]	Part-No.
<b>Sound absorption element 35</b>	35/21, 36/40, STEX 35	M8x50 - 38x17	0,152	1	0783395
<b>Sound absorption element 45</b>	45/26, 45/45, 45/60, 45/75	M8x50 - 40x22	0,187	1	0783396
<b>Insulation element, single</b>			0,052	1	07833908

## ■ Insulating coat LK, self-adhesive



Insulating coat LK

**Specification:**

Application area: Sound insulation for suspensions of ventilation ducts  
 Sound insulation: according to DIN 4109  
 Building material class according to DIN 4102: B2  
 ÖNORM 8 3800/T1: B1

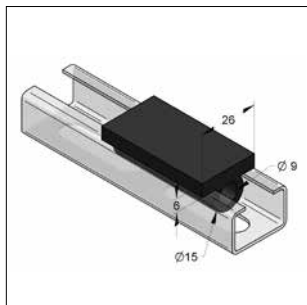
**Technical data:**

Material: closed-cell, synthetic rubber  
 Temperature resistance: - 40 °C up to + 105 °C  
 Insulation thickness: 13 mm  
 Thermal conductivity according to 52613: 0,040 W/mk

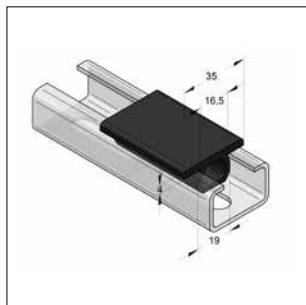
Identification	Length [m]	Dimension width x thickness [m]	Packing [roll]	Part-No.
Insulating coat LK	7	25 x 13	1	7250025
Insulating coat LK	7	35 x 13	1	7250035
Insulating coat LK	7	45 x 13	1	7250045

## ■ C-profile lining

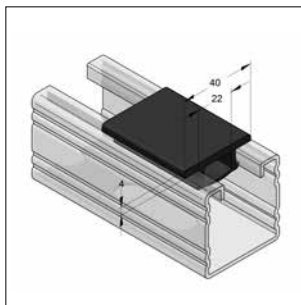
08



C-profile lining 27/18



C-profile lining 35



C-profile lining 45



**Specification:**

Sound insulation: according to DIN 4109

**Technical data:**

Material: TPE  
 Temperature resistance: - 35 °C up to + 100 °C

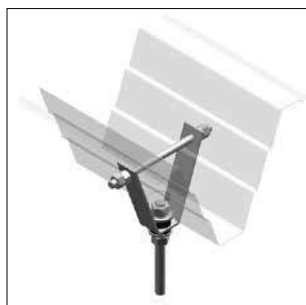
Identification	Length [m]	suitable for threaded rod	Weight [kg/m]	Packing [roll]	Part-No.
C-profile lining KG 27/18	20	M8	0,290	1	7100019
C-profile lining KG 35	20	-	0,287	1	710003501
C-profile lining KG 45	10	-	0,295	1	710004501
STEX-rail rubber	20	M8	0,302	1	1272019
STEX-rail rubber, section 50 mm	0,05	M8	0,016	50 pieces	1272020

① allocation table profile rails see on following page

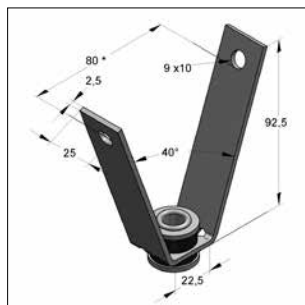
## Allocation table for profile rails: C-profile lining EPDM - insulating coats

Profile rails	C-profile lining EPDM			STEX-rail rubber see chapter 2	Insulating coat		
	KG 27	KG 35	KG 45		LK 25x13	LK 35x13	LK 45x13
<b>STEX 35</b>				●		●	
<b>27/18</b>	●				●		
<b>35/21</b>		●				●	
<b>36/40</b>		●					
<b>45/26</b>			●				●
<b>45/45</b>			●				●
<b>45/52</b>			●				●
<b>45/60</b>			●				●
<b>45/75</b>			●				●
<b>45/90</b>			●				●
<b>45/120</b>			●				●
<b>45/150</b>			●				●
<b>Stainless steel</b>							
<b>45/40</b>				●			●
<b>45/80</b>				●			●

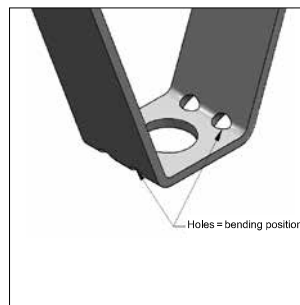
## Trapeze hanger, soundproofed



Trapeze hanger  
(mounting example)



Trapeze hanger  
soundproofed



can bend open  
up to 120 mm approx.



**Specification:**

Connection: thread M8, M10  
Sound insulation: according to DIN 4109

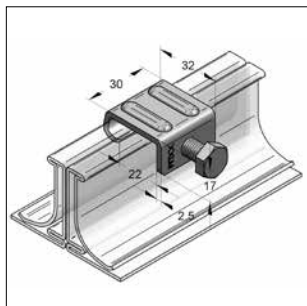
**Technical data:**

Material: steel  
Material type: S235JR  
Surface: galvanized  
Sound insulation: SBR lining  
Temperature resistance: - 35 °C up to + 100 °C  
Insulation thickness: 6 mm

Identification	Material	max. load	Weight	Packing	Part-No.
	[mm]	[kN]	[kg/pc.]	[pcs.]	
<b>Trapeze hanger LL A</b>	25 x 2,5	0,8	0,123	100	0783840



## ■ Duct clamp



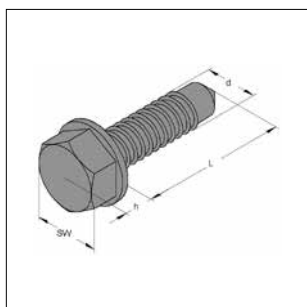
Duct clamp

**Technical data:**

Material:	steel
Material type:	S235JR
Surface:	galvanized

Identification	Material w x t [mm]	fastening torque [Nm]	Weight [kg/pc.]	Packing [pcs.]	Part-No.
<b>Duct clamp</b>	30 x 2,5	4,0	0,048	50	0593001

## ■ Drilling screw DIN 7504 K



Drilling screw

**Technical data:**

Material:	steel
Surface:	galvanized

Dimension d x L [mm]	h [mm]	Wrench size SW	Weight [kg/pc.]	Packing [pcs.]	Part-No.
<b>4,2 x 13</b>	4	7	0,0016	500	3700413
<b>4,2 x 16</b>	4	7	0,0018	500	3700416
<b>4,2 x 19</b>	4	7	0,0022	500	3700419

## ■ Duct sealing tape



Duct sealing tape

### Specification:

Application  
 area: sealing of ventilation ducts  
 Attributes: - one-sided self-adhesive  
 - no triangular bond  
 - chemical and weather proofed  
 - no pull-off foil  
 - building material class B2 (acc. DIN 4102)

### Technical data:

Material: cell closed PE  
 Bulk density: approx. 33 kg/ m<sup>3</sup> (according to 54320)  
 Tensile strength: 0,42 N/mm<sup>2</sup> (according to 53571)  
 Shelf life: 1 year (at + 18 °C)  
 Temperature resistance: - 30 °C up to + 80 °C  
 Processing temperature: min. + 5 °C

Identification [mm]	Width [mm]	Insulation thickness [mm]	Length [m]	Packing [rolls]	Part-No.
<b>Duct sealing tape 9x4</b>	<b>9</b>	<b>4</b>	20	5	725110904
<b>Duct sealing tape 12x4</b>	<b>12</b>	<b>4</b>	20	5	725111204
<b>Duct sealing tape 15x4</b>	<b>15</b>	<b>4</b>	20	5	725111504

## ■ Duct sealing compound



Duct sealing compound

### Specification:

Application  
 area: sealing of ventilation shafts  
 Attributes: - sealing of ventilation ducts and similar components  
 - special sealing compound on dispersion base  
 - solvent-free  
 - suitable for canteen kitchen exhaust ducts

### Technical data:

Colour: silver gray  
 Processing temperature: + 5 °C up to + 50 °C  
 Temperature resistance: - 20 °C up to + 80 °C  
 Shelf life, unopened: approx. 18 months  
 at an stock temperature: + 5 °C up to + 25 °C

Identification	Capacity [ml]	Packaging	Packing [pcs.]	Part-No.
<b>Duct sealing compound</b>	310	cartridge	20	725100310

## ■ Cold shrink tape



Cold shrink tape

### Specification:

Application  
 area: sealing of ventilation ducts and folded spiral-seam pipe  
 Colour: grey  
 Attributes: - cold self-adhesive butyl rubber glue  
 - coated with a stretchy PE foil

### Technical data:

Adhesive power of steel during detach 90°: approx. 9 N/cm<sup>2</sup>  
 Adhesive power of concrete during detach 90°: approx. 9 N/cm<sup>2</sup>  
 Water vapour permeability: approx. 4 g/m<sup>2</sup>/24h  
 Temperature resistance: - 30 °C up to + 80 °C  
 Processing temperature: + 5 °C up to + 40 °C

Identification	Width [mm]	Length [m]	Packing [rolls]	Part-No.
<b>Cold shrink tape</b>	<b>50</b>	15	1	725120050
<b>Cold shrink tape</b>	<b>75</b>	15	1	725120070
<b>Cold shrink tape</b>	<b>100</b>	15	1	725120100

## ■ Weights for Ventilation ducts

Weight of the duct (kg/m) of galvanized metal ducts, **without** insulation  
(Dimension of the duct Width x Height mm)

metal 0,75 mm			metal 0,88 mm							metal 1,0 mm						metal 1,13 mm						metal 1,25 mm				s
200	224	250	280	315	355	400	450	500	560	630	710	800	900	1000	1120	1250	1400	1600	1800	2000	2240	2500	2800	3150	B H	
4,9	5,2	5,6	7,0	7,5	8,1	8,7	9,4	10,2	12,5	13,7	15,0	16,5	18,1	19,8	24,6	27,0	29,8	33,5	37,3	41,0	50,3	55,6	61,8	69,0	200	
	5,5	5,9	7,3	7,8	8,4	9,1	9,8	10,5	12,9	14,1	15,4	16,9	18,5	20,2	25,0	27,5	30,3	34,0	37,7	41,4	50,8	56,1	62,3	69,5	224	
		6,2	7,7	8,2	8,8	9,4	10,2	10,9	13,4	14,5	15,8	17,3	19,0	20,6	25,5	27,9	30,7	34,5	38,2	41,9	51,3	56,7	62,8	70,1	250	
			8,1	8,6	9,2	9,9	10,6	11,3	13,8	15,0	16,3	17,8	19,5	21,1	26,1	28,5	31,3	35,0	38,7	42,5	51,9	57,3	63,5	70,7	280	
				9,1	9,7	10,4	11,1	11,8	14,4	15,6	16,9	18,4	20,0	21,7	26,7	29,2	31,9	35,7	39,4	43,1	52,6	58,0	64,2	71,4	315	
					10,3	11,0	11,7	12,4	15,1	16,2	17,6	19,0	20,7	22,3	27,5	29,9	32,7	36,4	40,1	43,9	53,5	58,8	65,0	72,2	355	
						11,6	12,3	13,1	15,8	17,0	18,3	19,8	21,4	23,1	28,3	30,7	33,5	37,3	41,0	44,7	54,4	59,8	65,9	73,2	400	
							13,1	13,8	16,6	17,8	19,1	20,6	22,3	23,9	29,2	31,7	34,5	38,2	41,9	45,6	55,4	60,8	67,0	74,2	450	
								14,5	17,5	18,6	19,9	21,4	23,1	24,7	30,2	32,6	35,4	39,1	42,8	46,6	56,5	61,8	68,0	75,2	500	
									18,5	19,6	20,9	22,4	24,1	25,7	31,3	33,7	36,5	40,2	44,0	47,7	57,7	63,1	69,2	76,4	560	
										20,8	22,1	23,6	25,2	26,9	32,6	35,0	37,8	41,5	45,3	49,0	59,1	64,5	70,7	77,9	630	
											23,4	24,9	26,5	28,2	34,1	36,5	39,3	43,0	46,8	50,5	60,8	66,1	72,3	79,5	710	
												26,4	28,0	29,7	35,8	38,2	41,0	44,7	48,4	52,2	62,6	68,0	74,2	81,4	800	
													29,7	31,3	37,6	40,1	42,8	46,6	50,3	54,0	64,7	70,1	76,2	83,5	900	
														33,0	39,5	41,9	44,7	48,4	52,2	55,9	66,8	72,1	78,3	85,5	1000	
															41,7	44,1	46,9	50,7	54,4	58,1	69,2	74,6	80,8	88,0	1120	
																46,6	49,4	53,1	56,8	60,5	71,9	77,3	83,5	90,7	1250	
																	52,2	55,9	59,6	63,3	75,0	80,4	86,5	93,8	1400	
																		59,6	63,3	67,1	79,1	84,5	90,7	97,9	1600	
																			67,1	70,8	83,2	88,6	94,8	102,0	1800	
																				74,5	87,4	92,7	98,9	106,1	2000	
																					92,3	97,7	103,9	111,1	2240	
																						103,0	109,2	116,4	2500	
																							115,4	122,6	2800	
																								129,8	3150	